



---

# CLASS 128

*Super Sylon Flatwork Droner*

*8-Roll*

ILLUSTATED PARTS MANUAL

---



**AMERICAN<sup>®</sup>**

5050 Section Avenue  
Cincinnati, OH 45212-2099



JULY 1964

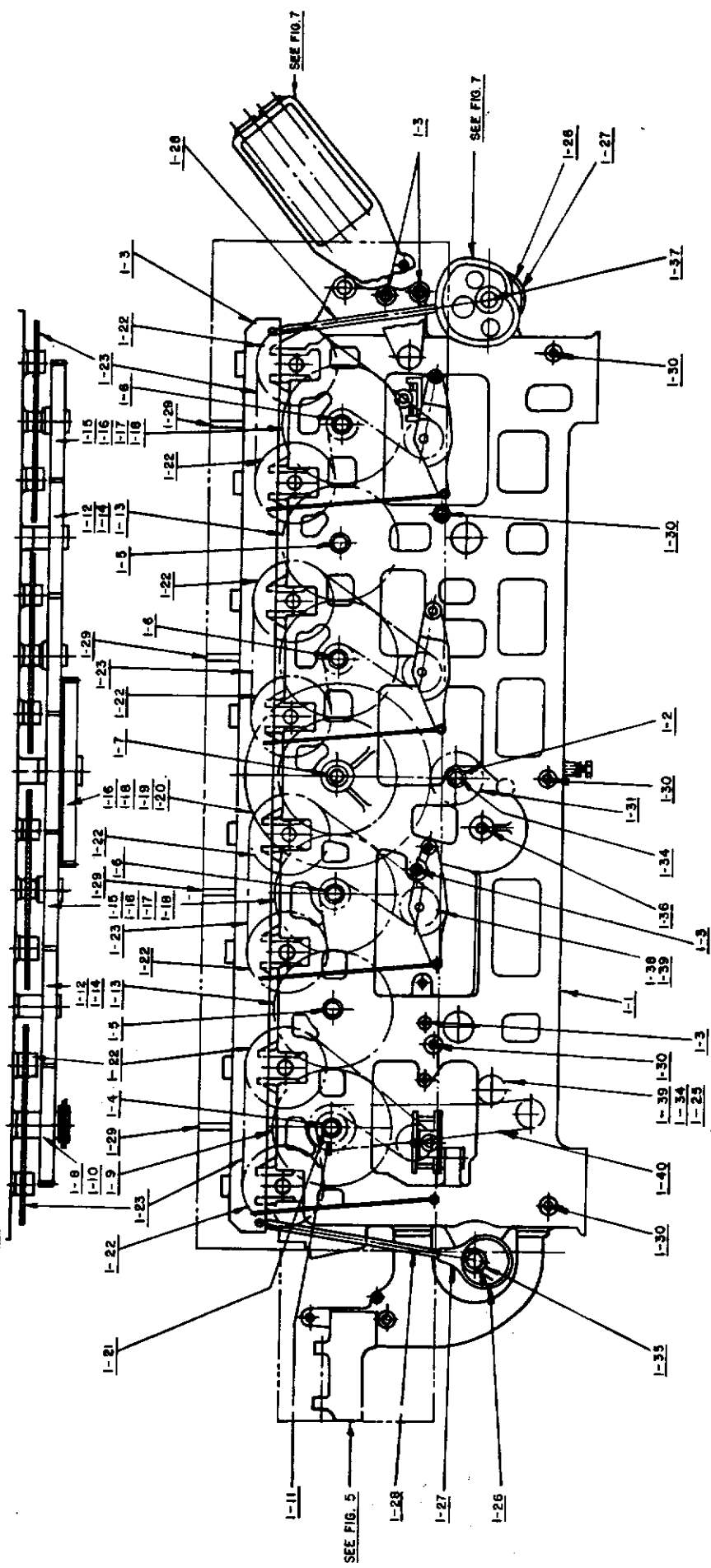
# ILLUSTRATED PARTS MANUAL

## American **SUPER SYLON** 8 Roll Flatwork Ironer

### CONTENTS

	FIGURE
R.H. Outside Elevation .....	Figure 1
L.H. Outside Elevation .....	Figure 2
Sectional Elevation of Inside R.H. Frame .....	Figure 3
Sectional Elevation of Inside L.H. Frame .....	Figure 4
Typical R.H. Front End .....	Figure 5
Typical L.H. Front End .....	Figure 6
Typical Delivery End .....	Figure 7
Typical Inside Section Front End .....	Figure 8
Typical Inside Section Delivery End .....	Figure 9
Section of Clutch & Drive Sheave .....	Figure 10
Rolls & Padding List .....	Figure 11
Delivery Table .....	Figure 12
Raising Rig Assembly .....	Figure 13
Miscellaneous .....	Figure 14
Guide Roll Box Assemblies .....	Figure 15
Ironing Pressure Indicator .....	Figure 16
Tape Device .....	Figure 17

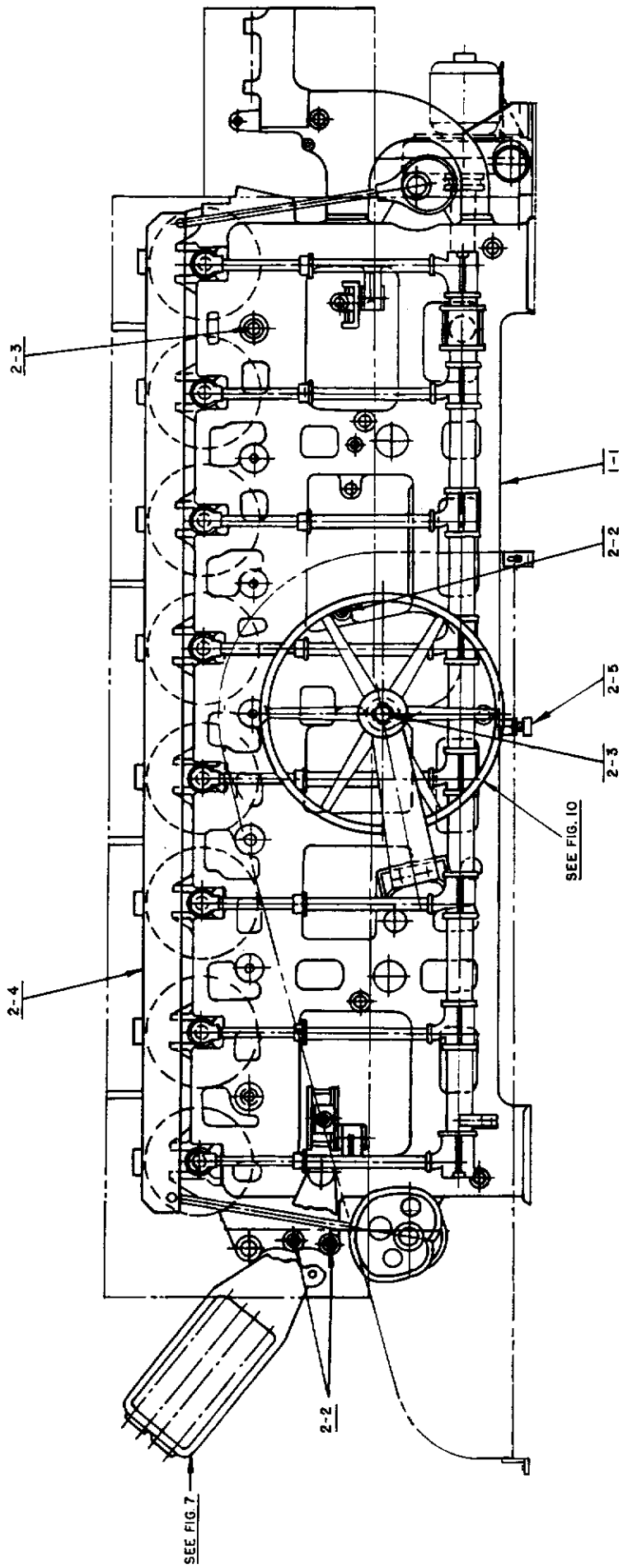
ITEM	NAME OF PART	ITEM	NAME OF PART	ITEM	NAME OF PART
1-1	R. H. FRAME	1-15	GEAR B. SPROCKET ASSEM. 128-042	1-28	ECCENTRIC ROD
1-2	BUSHING	1-16	80T-5P-GEAR	1-29	SUPPORT STUD
1-3	BUSHING	1-17	12T-1" P. SPROCKET	1-30	TIE ROD 120"
1-4	BUSHING	1-18	NEEDLE BEARING, GB-3228 TORRINGTON CO.	1-31	40T-6P-HERRINGBONE PINION
1-5	STUD	1-19	HERRINGBONE GEAR ASSEM.	1-32	PRESSURE BAR
1-6	STUD	1-20	HERRINGBONE GEAR 216T. 6P	1-33	RAISE RIG IDLER STUD
1-7	STUD	1-21	SHAFT 120"	1-34	DRIVE SHAFT 120"
1-8	GEAR & SPROCKET ASSEME.	1-22	ROLL SPROCKET	1-35	ECCENTRIC SHAFT (FRONT) 120"
1-9	80T-5P-GEAR	1-23	ROLL CHAIN 1" P. 92 LINKS	1-36	ECCENTRIC SHAFT (CENTER) 120"
1-10	24T-3/4" P. SPROCKET	1-24	RAISE RIG SPROCKET 15T-3/4 P	1-37	ECCENTRIC SHAFT (REAR) 120"
1-11	12T-1" P. SPROCKET	1-25	IDLER ASSEM.	1-38	IDLER SPROCKET ASSEM.
1-12	IDLER GEAR ASSEM.	1-26	ECCENTRIC	1-39	OILITE BEARING, A-1205 CHRYSLER CORP. AMPLEX DIV.
1-13	80T-5P-GEAR	1-27	ECCENTRIC STRAP	1-40	RAISE RIG CHAIN 92 LINKS 3/4" P.
1-14	NEEDLE BEARING, GB-3228 TORRINGTON CO.				



R. H. OUTSIDE ELEVATION  
 6 ROLL SUPER SYLON F.W. IRONER

FIGURE 1

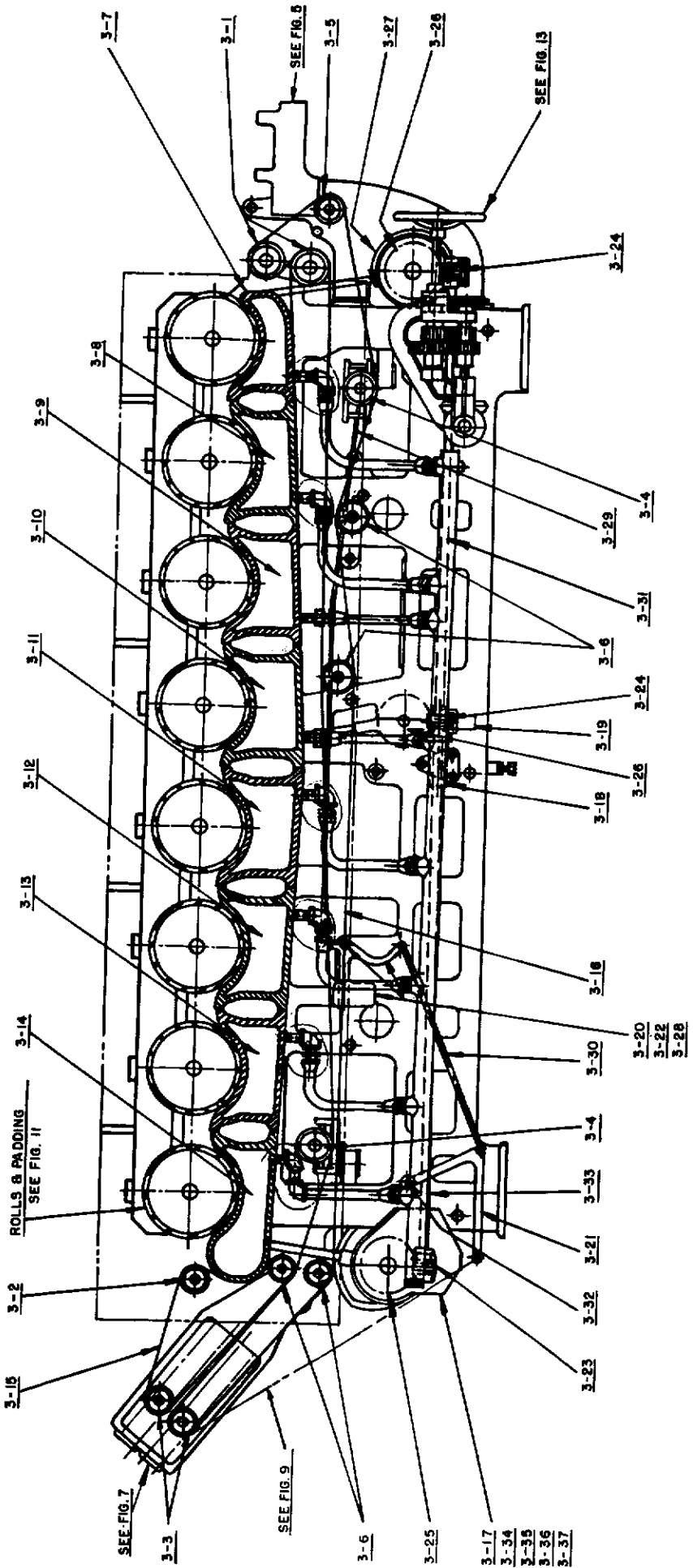
ITEM	NAME OF PART
2-1	L. H. FRAME
2-2	BUSHING
2-3	BUSHING
2-4	PRESSURE BAR
2-5	JACK SCREW



L.H. OUTSIDE ELEVATION  
6 ROLL SUPER SYLON F.W. IRONER

FIGURE 2

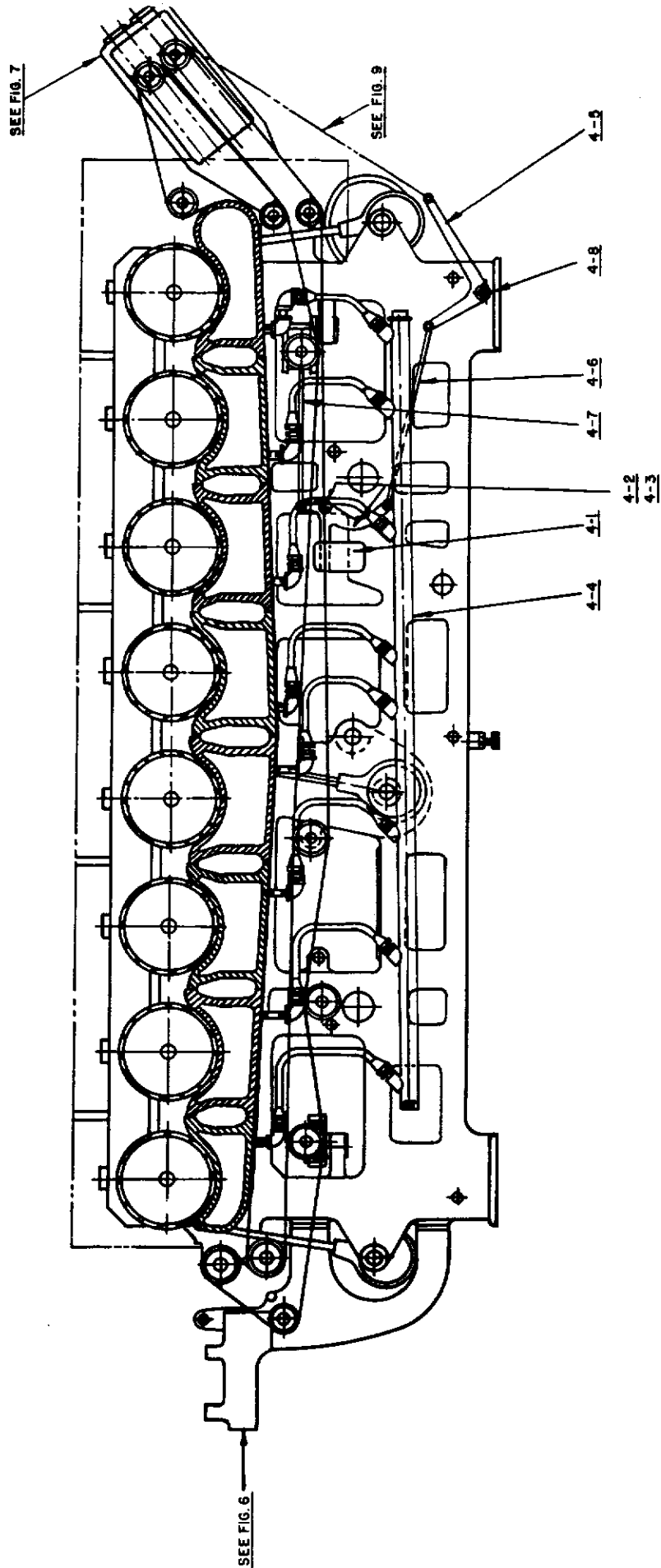
ITEM	NAME OF PART	ITEM	NAME OF PART
3-1	APRON DRIVE ROLL	3-20	WEIGHT
3-2	SPIRAL TENSION ROLL	3-21	BELL CRANK, REAR
3-3	SPIRAL ROLL	3-22	BELL CRANK (WEIGHTED)
3-4	APRON GUIDE ROLL	3-23	RIGHT WORM
3-5	FRONT APRON IDLER ROLL	3-24	LEFT WORM
3-6	APRON IDLER ROLL	3-25	RIGHT WORM GEAR
3-7	1ST, STEAM CHEST	3-26	LEFT WORM GEAR
3-8	2ND, STEAM CHEST	3-27	WORM GEAR COVER
3-9	3RD, STEAM CHEST	3-28	STUD
3-10	4TH, STEAM CHEST	3-29	CONNECTING ROD
3-11	5TH, STEAM CHEST	3-30	CONNECTING ROD
3-12	6TH, STEAM CHEST	3-31	WORM SHAFT
3-13	7TH, STEAM CHEST	3-32	STUD
3-14	8TH, STEAM CHEST	3-33	R. H. STEAM MANIFOLD (INLET)
3-15	UPPER APRON	3-34	WORM SHAFT BRG. BRACKET
3-16	LOWER APRON	3-35	BUSHING
3-17	WORM SHAFT BEARING (REAR)	3-36	SLINGER
3-18	CENTER WORM SHAFT BEARING	3-37	PIN
3-19	WORM OIL WELL		



SECTIONAL ELEVATION OF INSIDE OF R. H. FRAME  
 8 ROLL SUPER SYLON F.W.I.

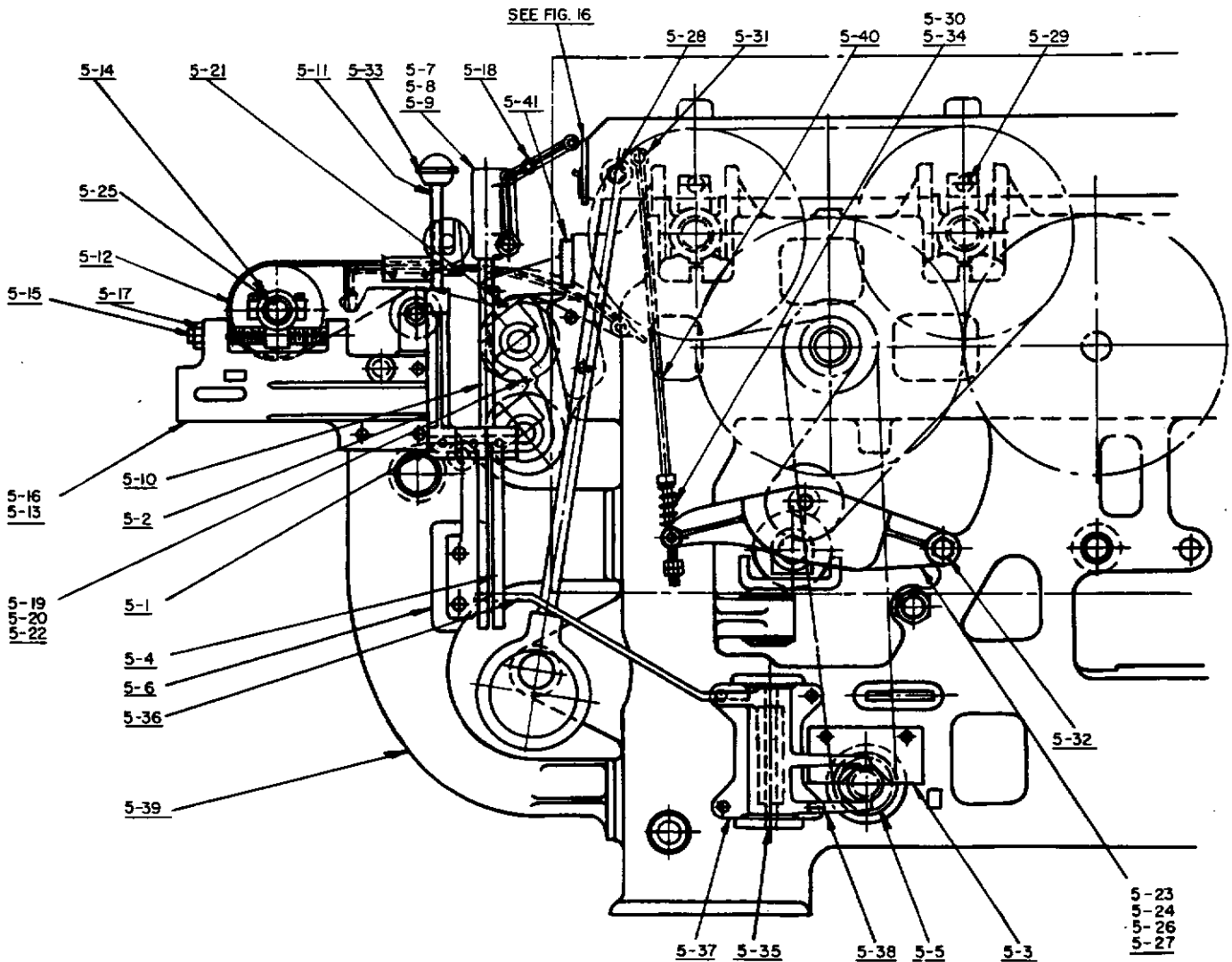
FIGURE 3

ITEM	NAME OF PART
4-1	WEIGHT
4-2	BELL CRANK (WEIGHTED)
4-3	STUD
4-4	L.H. MANIFOLD ASSEM. (OUTLET)
4-5	BELL CRANK (REAR)
4-6	CONNECTING ROD (LOWER)
4-7	CONNECTING ROD (UPPER)
4-8	STUD



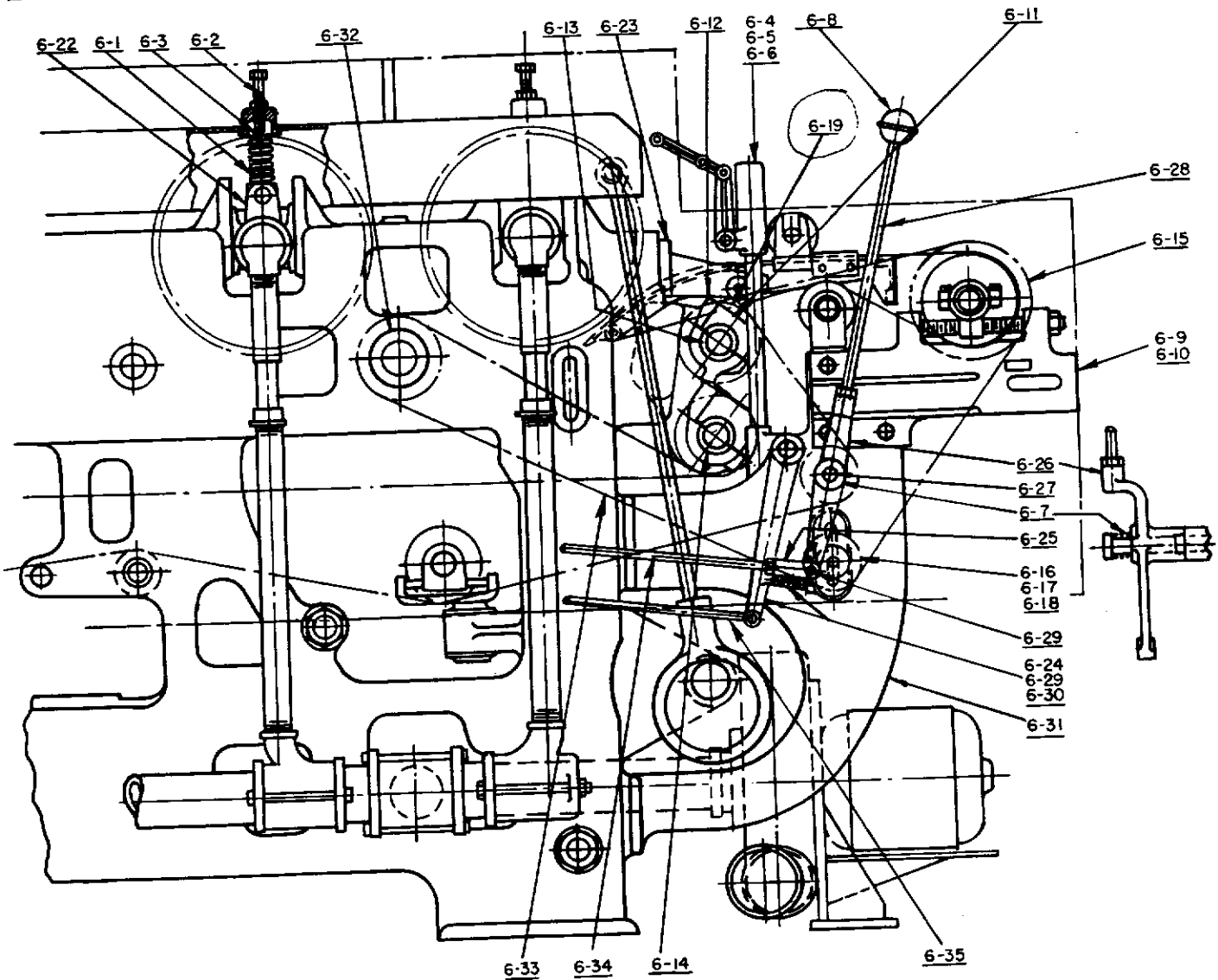
SECTIONAL ELEVATION OF INSIDE OF L.H. FRAME  
8 ROLL SUPER BYLON F.W.I.

ITEM	NAME OF PART	ITEM	NAME OF PART
5-1	SHIFT LEVER PIN	5-22	BRACKET
5-2	SHIFT LEVER	5-23	ASSEM. CHAIN IDLER LEVER
5-3	SUPPORT PLATE	5-24	LEVER
5-4	LOWER SHIFT LEVER	5-25	BUSHING
5-5	SHIFTER SPOOL	5-26	SWIVEL PIN
5-6	SHIFTER LEVER BRACKET	5-27	SPROCKET AXLE
5-7	R.H. FINGER GUARD SUPPORT ASSY.	5-28	PIN FOR PENDULUM BOLT
5-8	R.H. CASTING FOR FINGER GUARD	5-29	PIN FOR ROLL BOX
5-9	COUPLING	5-30	SPRING
5-10	SUPPORT ROD	5-31	PIN
5-11	SHIFT LEVER EXTENSION	5-32	STUD
5-12	RIBBON	5-33	SHIFTER KNOB
5-13	ASSY. UPPER R.H. RIBBON FD. BKT.	5-34	SPACER ON ROD
5-14	BEARING ASSEM.	5-35	CLUTCH SHIFTER SHAFT
5-15	TAKE UP SCREW	5-36	CLUTCH SHIFTER EXTENSION
5-16	R.H. BRACKET	5-37	SUPPORT BRACKET
5-17	HEX. COLLAR	5-38	CLUTCH SHIFTER
5-18	ASSEM. FINGER GUARD 120"	5-39	LOWER R.H. RIBBON FEED BRKT.
5-19	ASSEM. R.H. BEARING BRKT.	5-40	CONNECTING ROD
5-20	BUSHING	5-41	R.H. BRKT. FOR STL. FEED BOARD
5-21	CAP		



TYPICAL R.H. FRONT END (SIDE ELEVATION)  
8 ROLL SUPER SYLON FW IRONERS

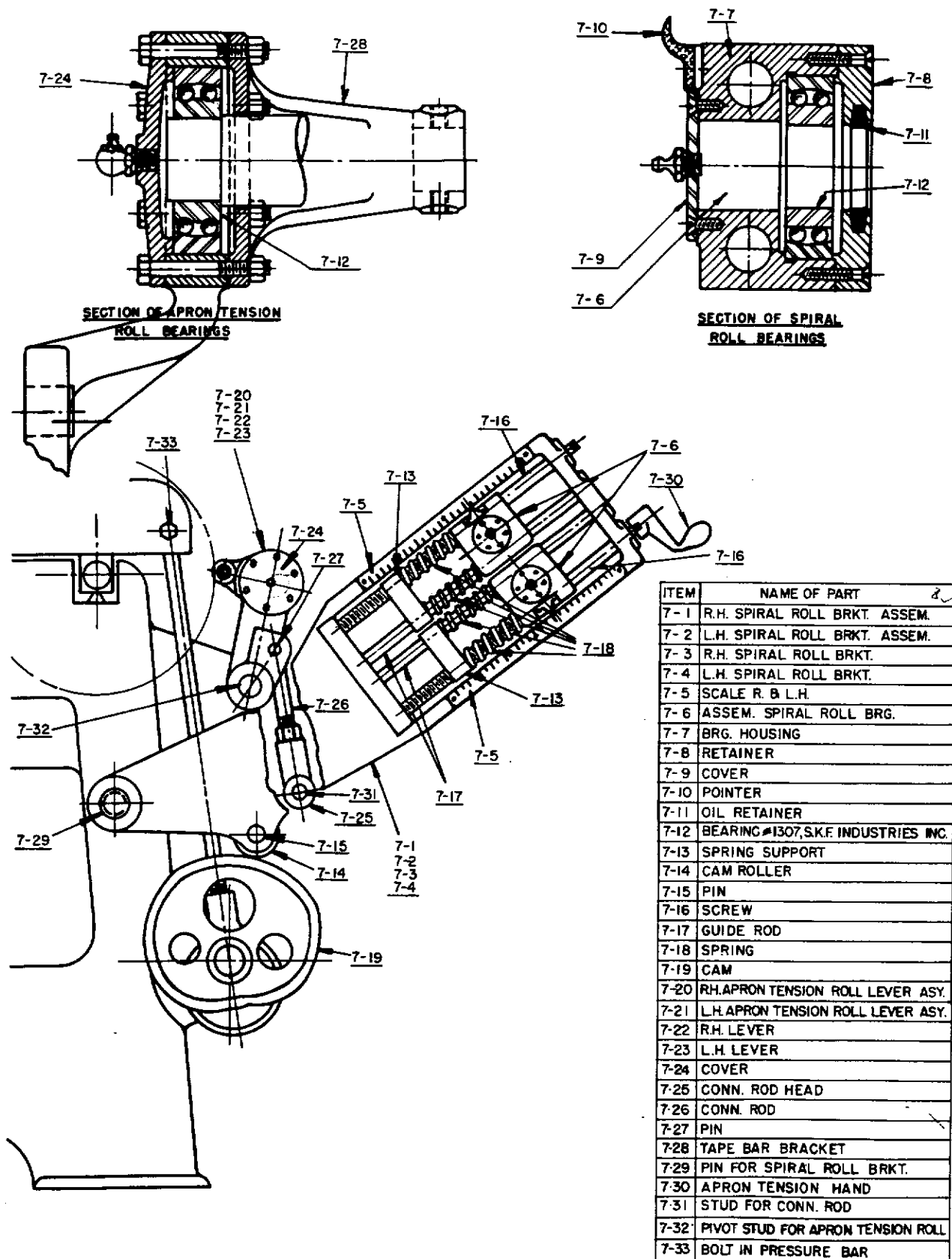
ITEM	NAME OF PART
6-1	PRESSURE SPRING
6-2	SPECIAL SCREW
6-3	PRESSURE SPRING CAP
6-4	L.H. FINGER GUARD SUPPORT ASSM.
6-5	L.H. CASTING FOR FINGER GUARD
6-6	COUPLING FOR FINGER GUARD
7	SPRING
8	SHIFTER, KNOB
6-9	ASSM. UPPER L.H. RIBBON FEED BRK.
6-10	L.H. BRACKET
6-11	ASSM. L.H. APRON DRIVE ROLL BRK.
6-12	L.H. BRACKET
6-13	UPPER BUSHING
6-14	LOWER BUSHING
6-15	FEED ROLL SPROCKET, 32T-3/4" P.
6-16	IDLER SPROCKET, 15T-3/4" P.
6-17	OILITE BEARING #A1110 CHRYSLER CORP. AMPLEX DIV.
6-18	IDLER STUD
6-19	APRON ROLL SPROCKET 21T. 3/4" P.
6-20	BRKT FOR ROD BEARING (NOT SH.)
6-21	BEARING (NOT SHOWN)
6-22	ROLL BOX ASSEM.
6-23	L.H. BRACKET FOR FEED BOARD
6-24	LEVER FOR FINGER GUARD
6-25	YOKE
6-26	LEVER
6-27	STUD
6-28	LEVER EXTENSION
6-29	PIN
6-30	SPRING FOR FINGER GUARD
6-31	L.H. LOWER RIBBON FEED BRKT.
6-32	DRIVE SPROCKET 20T-3/4" P.
6-33	DRIVE CHAIN 3/4" P.-148 LINKS
6-34	CLUTCH SHIFT ROD 8 ROLL MACH.
6-35	KNOCKOUT ROD 8 ROLL MACH.



TYPICAL L.H. FRONT END (SIDE ELEVATION)  
8 ROLL SUPER SYLON F.W. IRONERS

FIGURE 6

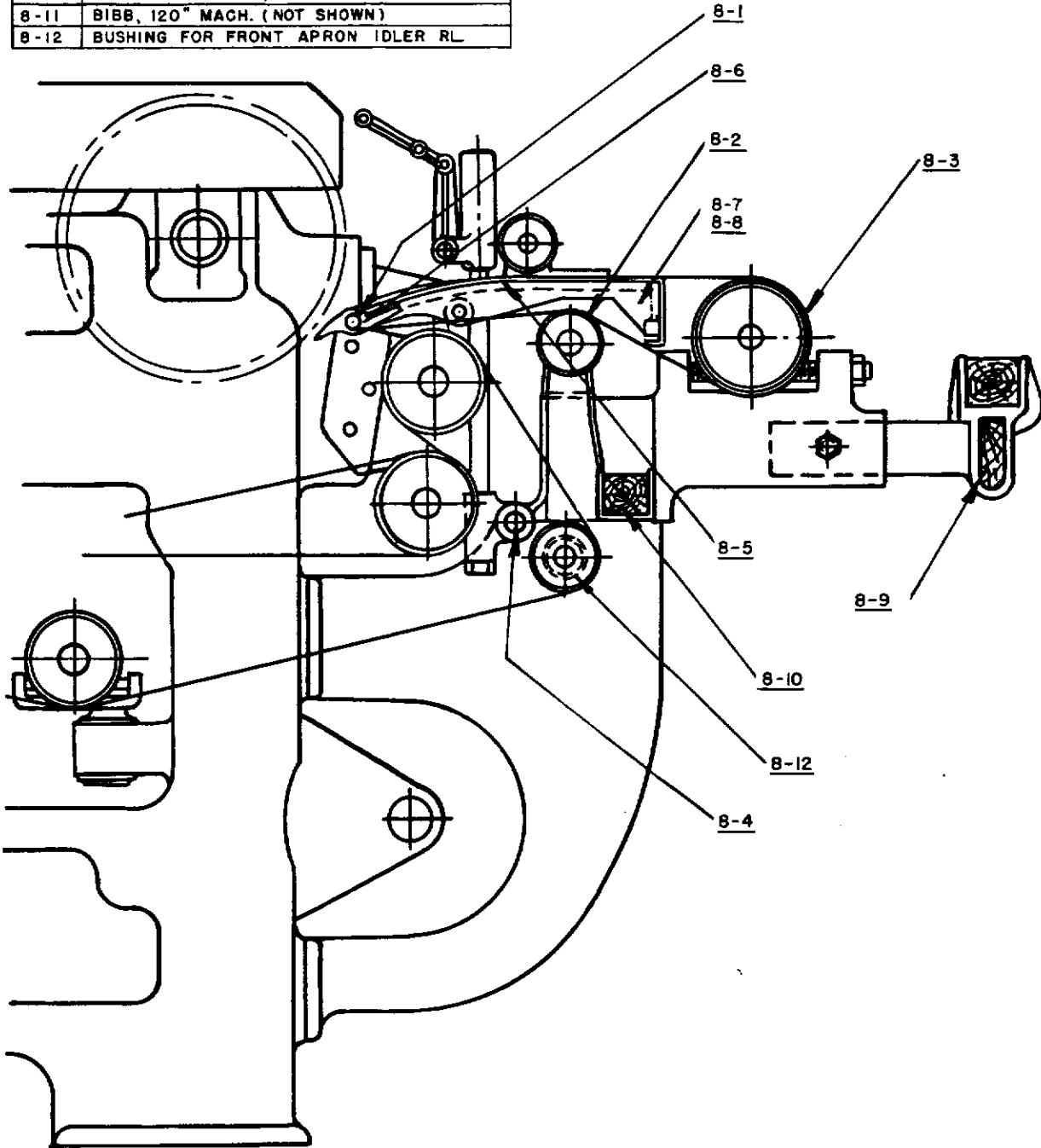




ITEM	NAME OF PART
7-1	R.H. SPIRAL ROLL BRKT. ASSEM.
7-2	L.H. SPIRAL ROLL BRKT. ASSEM.
7-3	R.H. SPIRAL ROLL BRKT.
7-4	L.H. SPIRAL ROLL BRKT.
7-5	SCALE R. B L.H.
7-6	ASSEM. SPIRAL ROLL BRG.
7-7	BRG. HOUSING
7-8	RETAINER
7-9	COVER
7-10	POINTER
7-11	OIL RETAINER
7-12	BEARING #1307, S.K.F. INDUSTRIES INC.
7-13	SPRING SUPPORT
7-14	CAM ROLLER
7-15	PIN
7-16	SCREW
7-17	GUIDE ROD
7-18	SPRING
7-19	CAM
7-20	RH. APRON TENSION ROLL LEVER ASY.
7-21	L.H. APRON TENSION ROLL LEVER ASY.
7-22	R.H. LEVER
7-23	L.H. LEVER
7-24	COVER
7-25	CONN. ROD HEAD
7-26	CONN. ROD
7-27	PIN
7-28	TAPE BAR BRACKET
7-29	PIN FOR SPIRAL ROLL BRKT.
7-30	APRON TENSION HAND
7-31	STUD FOR CONN. ROD
7-32	PIVOT STUD FOR APRON TENSION ROLL
7-33	BOLT IN PRESSURE BAR

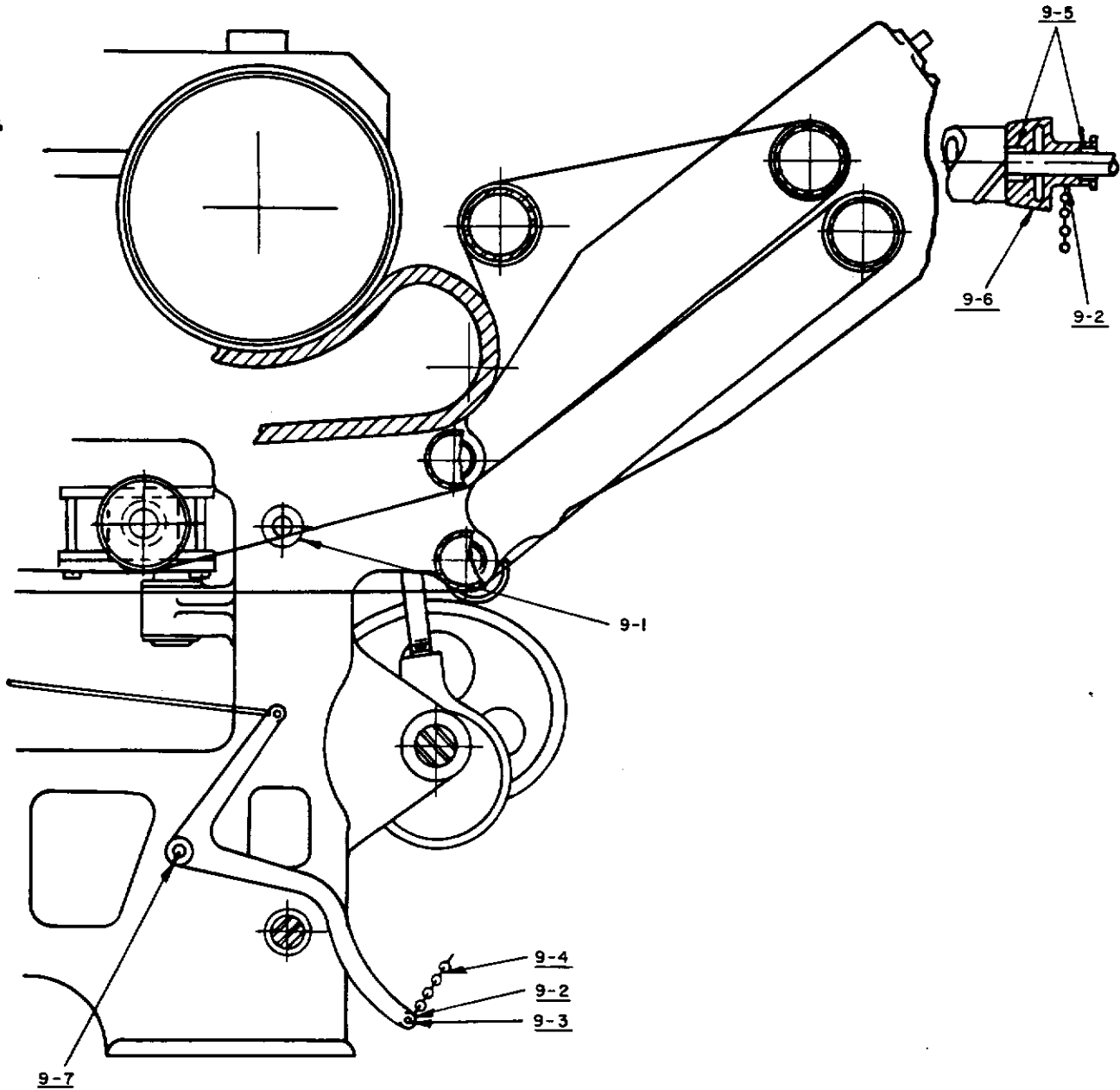
TYPICAL DELIVERY END (R.H. SIDE ELEV.)  
8 ROLL SUPER SYLON F.W. IRONER

ITEM	NAME OF PART
8-1	RIBBON SHAFT 120" MACH.
8-2	IDLE ROLL, 120" MACH.
8-3	RIBBON DRIVE ROLL, 120" MACH.
8-4	FINGER GUARD SHAFT, 120" MACH.
8-5	STEEL FEED BOARD ASSEM. 120" MACH.
8-6	FINGER
8-7	R.H. SUPPORT FOR FEED BOARD
8-8	L.H. SUPPORT FOR FEED BOARD
8-9	BIBB BAR, 120" MACH.
8-10	SQUARE BIBB BAR, 120" MACH.
8-11	BIBB, 120" MACH. (NOT SHOWN)
8-12	BUSHING FOR FRONT APRON IDLER RL.



TYPICAL INSIDE SECTION, FRONT END  
8 ROLL SUPER SYLON FW IRONER

ITEM	NAME OF PART
9-1	WASHER, SPIRAL ROLL BRKT. PIN
9-2	CHAIN CONNECTION
9-3	PIN
9-4	CHAIN
9-5	NEEDLE FOR APRON GUIDE SPOOL
9-6	APRON GUIDE SPOOL
9-7	STUD

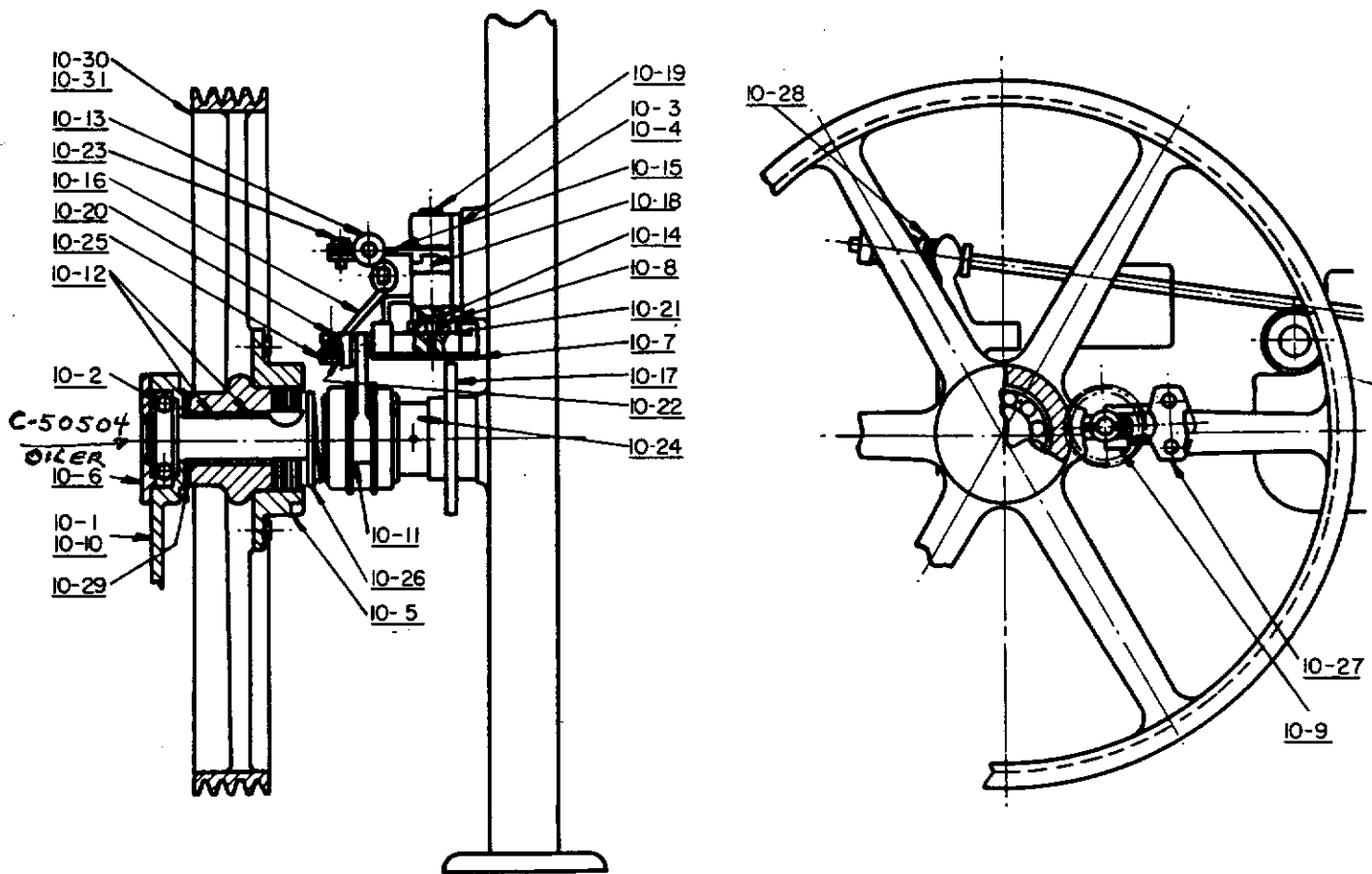


TYPICAL INSIDE SECTION, DELIVERY END  
8 ROLL SUPER SYLON F.W. IRONER

FIGURE 9

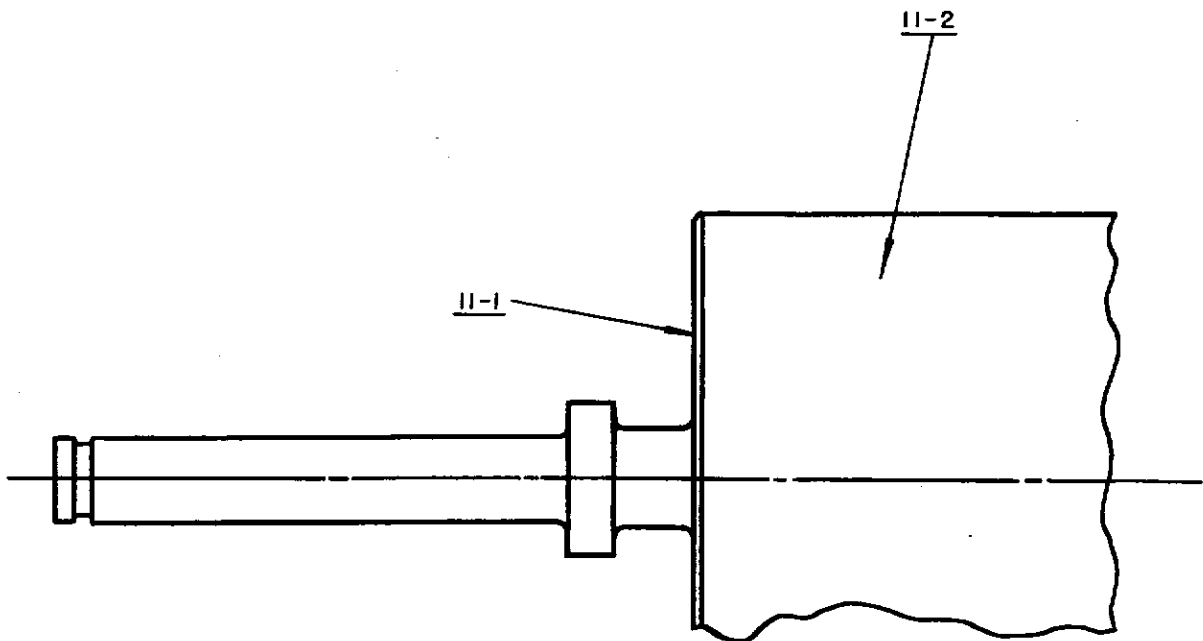
ITEM	NAME OF PART	ITEM	NAME OF PART
10-1	ASSEM. PULLEY BRKT. 4-6 & 8 ROLL	10-17	50T SPEED IND. DRIVE GEAR
10-2	BALL BEARING FOR PULLEY BRKT.	10-18	NOTCH COLLAR
10-3	ASSEM. OF CONE BRKT 4-6 & 8 ROLL	10-19	SHAFT
10-4	CONE BRACKET (ALL MODS)	10-20	SHAFT FOR ROLLER
10-5	DISC HOUSING 4-6 & 8 ROLL	10-21	STUD FOR FORK
10-6	COVER	10-22	STUD FOR THROWOUT LEVER
10-7	PLATE FOR CONE BRKT.	10-23	STUD FOR LEVER
10-8	SLIDING PIECE	10-24	COLLAR ✓
10-9	UNIV. DRIVE HEAD 4 & 8 ROLL	10-25	ROLLER
10-10	PULLEY BRACKET 4-6 & 8 ROLL	10-26	ROCKFORD FRICTION CLUTCH 4,6,8 R.
10-11	FORK FOR FRICTION CLUTCH 4-6-8	10-27	SPEED INDICATOR PINION BRKT.
10-12	BUSHING FOR SHEAVE 4-6 & 8 ROLL	10-28	SPRING FOR THROWOUT LEVER
10-13	FORK FOR ROD	10-29	THRUST COLLAR ✓
10-14	CONE LEVER	10-30	SHEAVE ASSEM., 8 ROLL 60CY. (R.D.R.) ✓
10-15	LEVER FOR CLUTCH	10-31	SHEAVE (MOTOR) STD. ✓
10-16	THROWOUT LEVER ✓		

*adjusting spring for clutch*  
*C-21853*



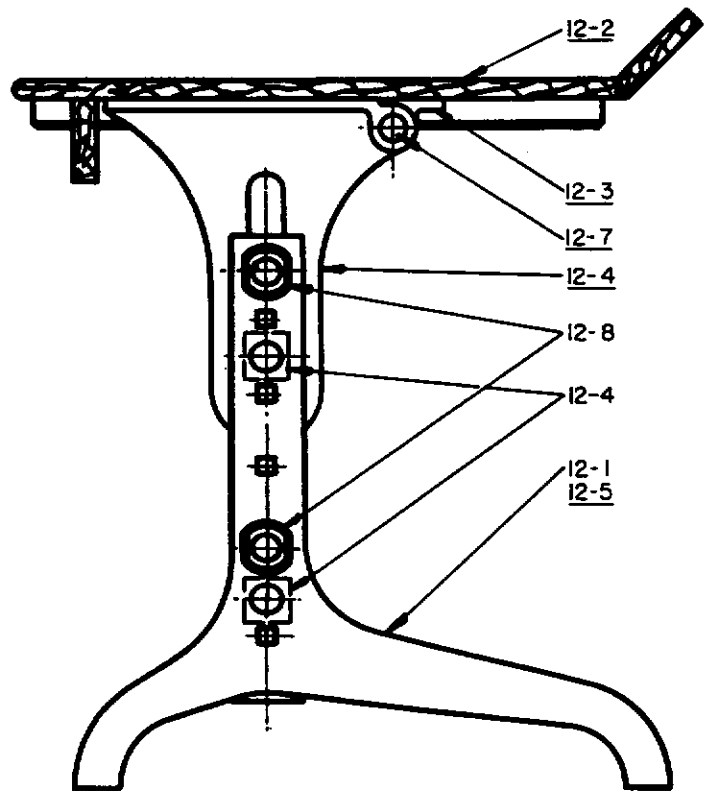
**SECTION OF CLUTCH & DRIVE SHEAVE  
 8 ROLL SUPER SYLON F.W. IRONERS**

ITEM	NAME OF PART
11-1	ROLL (STD. PADDING) 120"
11-2	PADDING (STD. ROLL) 120"



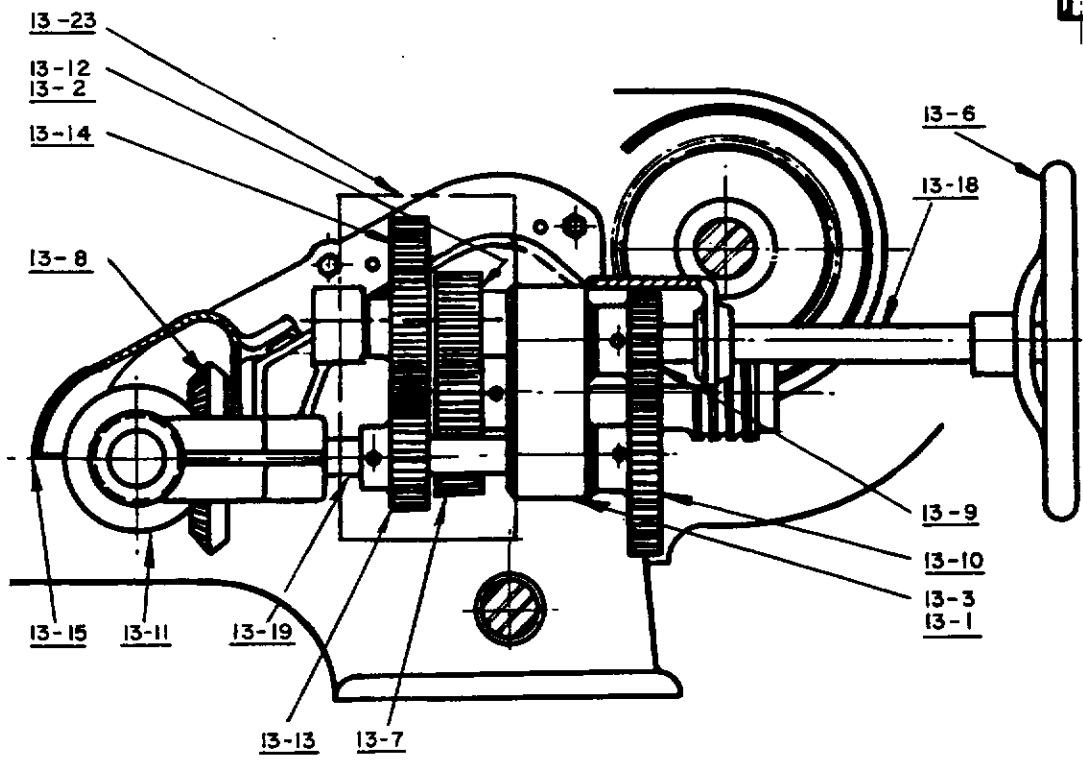
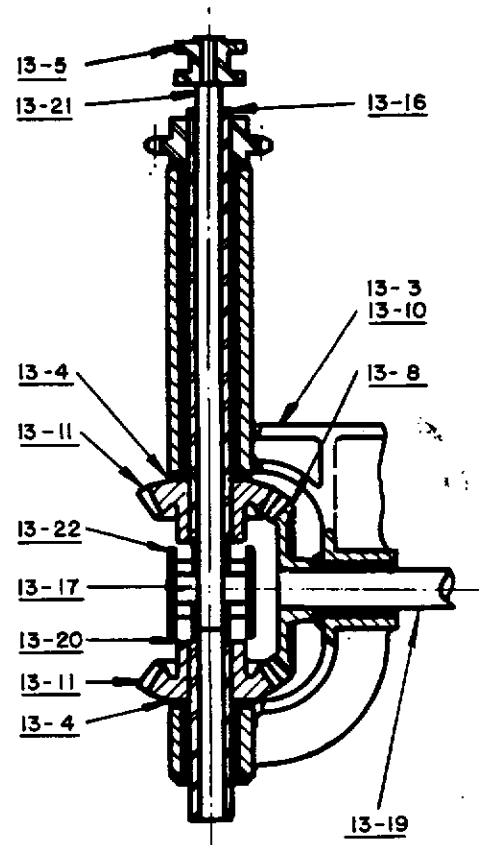
ROLLS & PADDING LISTS  
8 ROLL SUPER SYLON FW. IRONER

ITEM	NAME OF PART
12-1	ADJUSTABLE TABLE LEG ASSEM.
12-2	DELIVERY TABLE 120"
12-3	BRACKET
12-4	CAST IRON WASHER
12-5	FOOT FOR ADJ. LEG
12-6	TOP FOR ADJ. LEG
12-7	HINGE PIN
12-8	TIE PIN



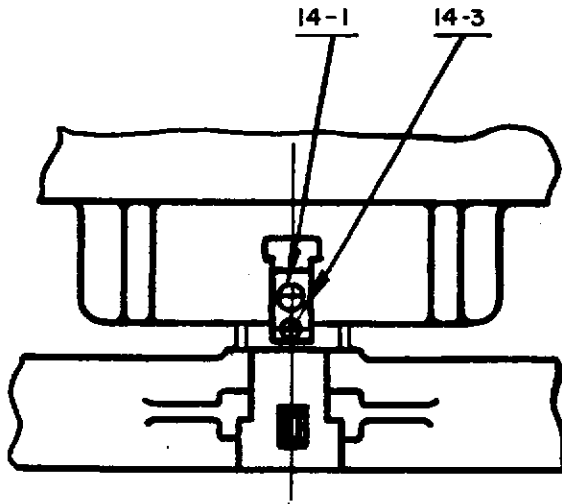
DELIVERY TABLE  
8 ROLL SUPER SYLON FW. IRONER

ITEM	NAME OF PART
13-1	RAISING RIG ASSEM.
13-2	SPUR GEAR ASSEM. INTER. SHAFT
13-3	MAIN BRACKET
13-4	THRUST BRG. FOR PINION
13-5	SHIFTER SPOOL
13-6	HAND WHEEL
13-7	34T 5P SPUR WHEEL
13-8	BEVEL GEAR
13-9	14T 5P SPUR GEAR (MEEH.)
13-10	32T 5P SPUR GEAR (MEEH.)
13-11	BEVEL PINION
13-12	14T 5P SPUR GEAR (STL.)
13-13	14T 5P SPUR GEAR (STL.)
13-14	20T 5P SPUR GEAR (STL.)
13-15	BEVEL GEAR COVER
13-16	CLUTCH SHAFT
13-17	CLUTCH KEY
13-18	HAND WHEEL SHAFT
13-19	GEAR SHAFT
13-20	SPRING FOR SPACER
13-21	SHIFTER ROD
13-22	SPACER FOR CLUTCH GEAR
13-23	GUARD FOR RAISE RIG

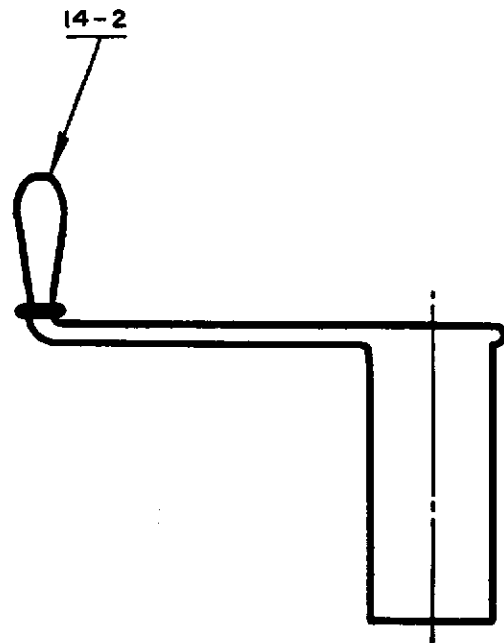


**RAISING RIG ASSEMBLY**  
**8 ROLL SUPER SYLON F.W. IRONERS**

ITEM	NAME OF PART
14-1	GUIDE FOR CHESTS
14-2	CRANK FOR HAND DRIVE 4-6 & 8 ROLL
14-3	PIN FOR GUIDE BLOCK



METHOD OF MOUNTING CHESTS



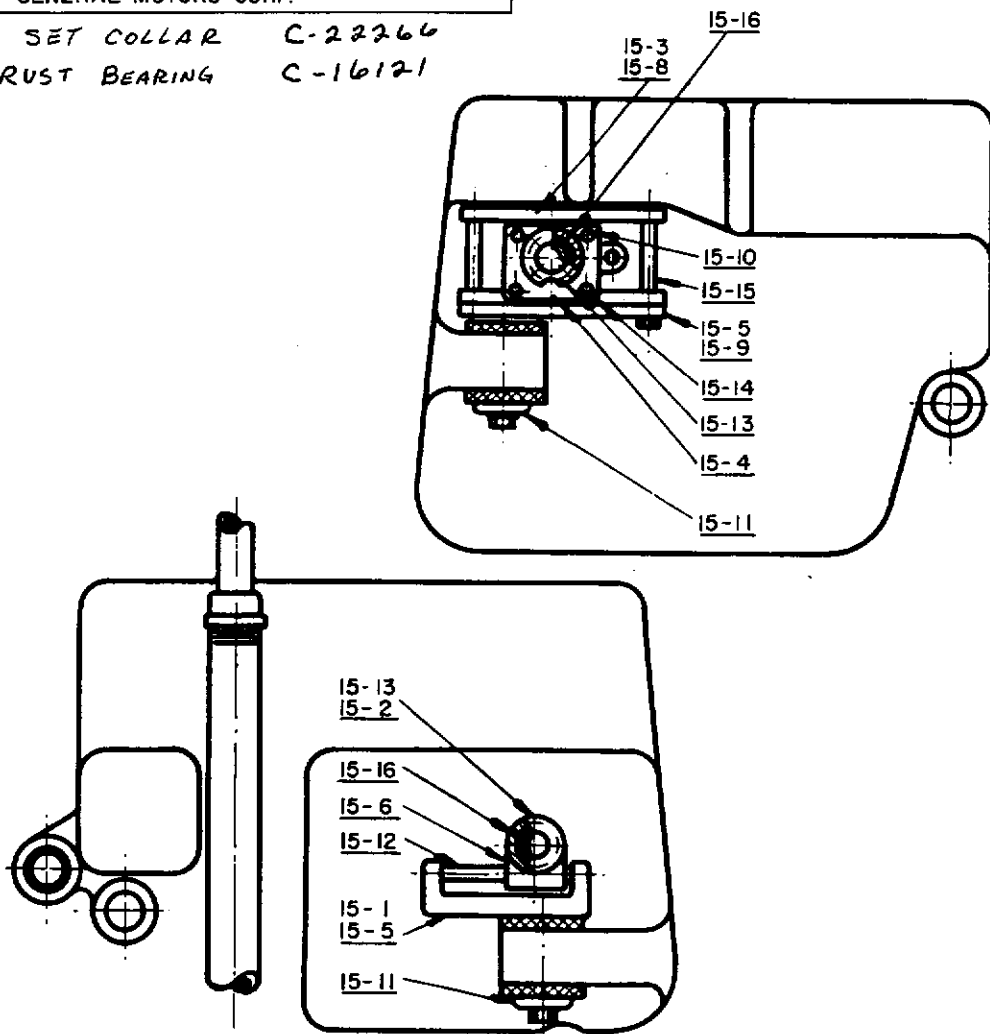
HAND CRANK

MISCELLANEOUS PARTS  
8 ROLL SUPER SYLON F.W. IRONERS



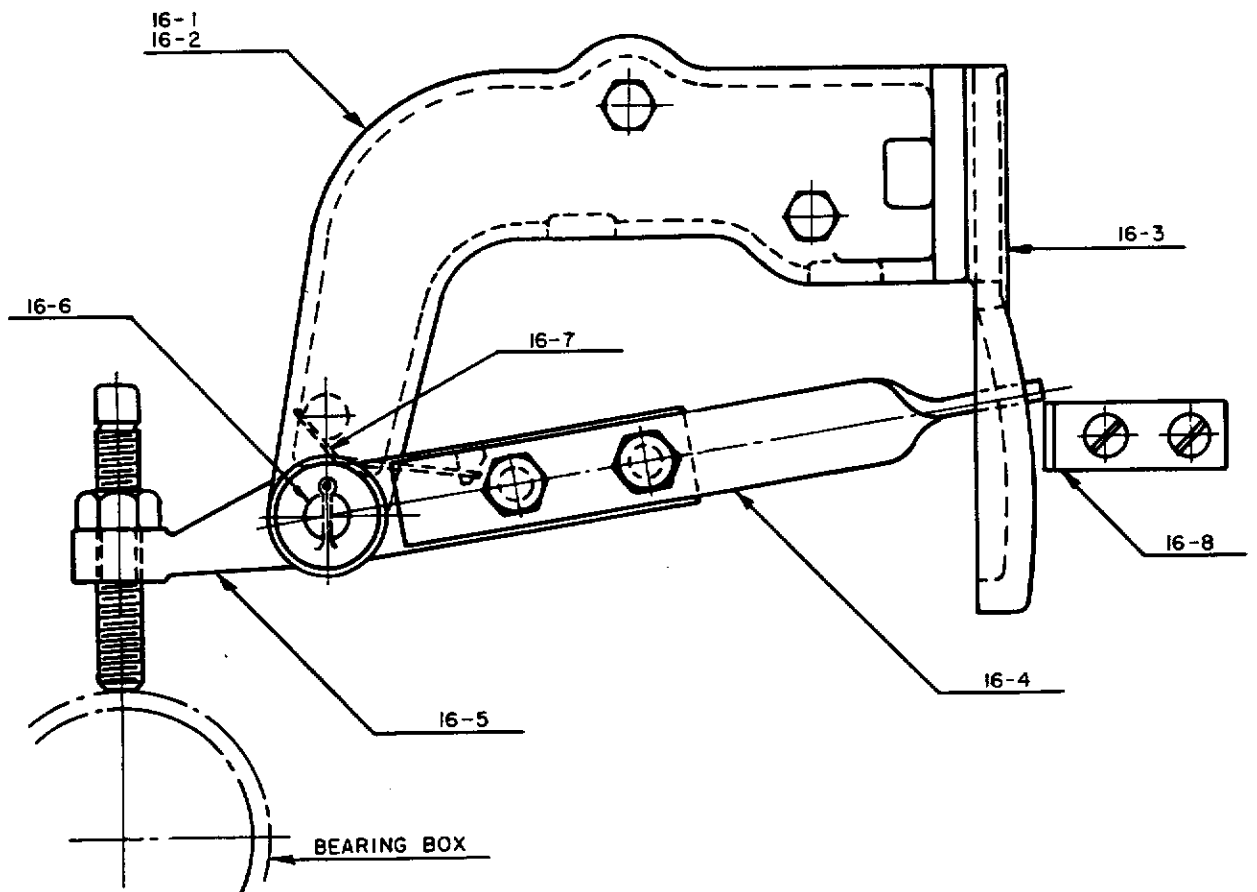
ITEM	NAME OF PART
15-1	ADJ. BOX APRON GUIDE ASSEM.
15-2	ASSEM. BOX
15-3	AUTO. ADJ. BOX ASSEM.
15-4	APRON BOX ASSEM.
15-5	APRON GUIDE ADJUSTER
15-6	GUIDE BOX
15-7	GUIDE BOX
15-8	BAR
15-9	GUIDE SLIDE
15-10	ROLLERS
15-11	WASHER
15-12	SHAFT
15-13	PLATE
15-14	PINS
15-15	STUD
15-16	BEARING, HP-95424 HYATT BEARING DIV. GENERAL MOTORS CORP.

7/8" SET COLLAR C-22266  
THRUST BEARING C-16121



GUIDE ROLL BOX ASSEMBLIES  
8 ROLL SUPER SYLON FW IRONER

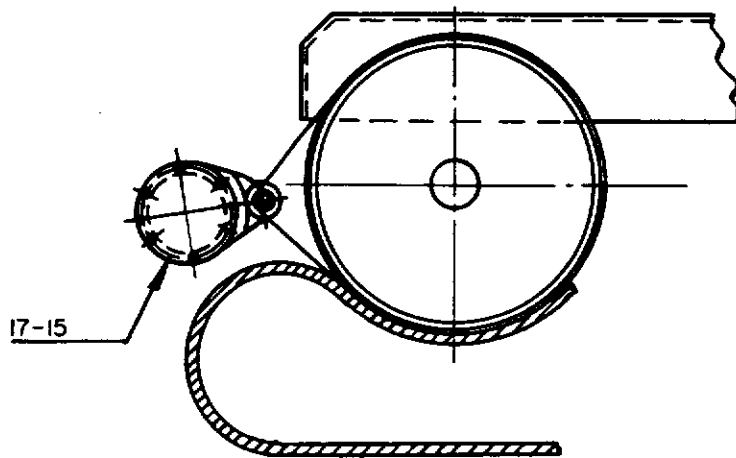
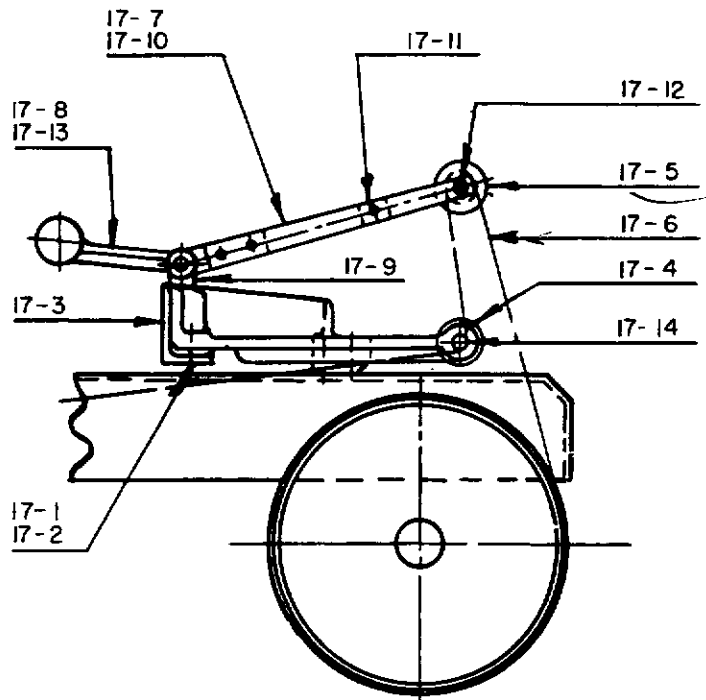
ITEM	NAME OF PART
16-1	PRESSURE INDICATOR ASSEMBLY
16-2	BRACKET
16-3	DIAL
16-4	POINTER
16-5	LEVER
16-6	STUD
16-7	SPRING
16-8	INDEX



IRONING PRESSURE INDICATOR  
 8 ROLL SYLON & SUPER SYLON, F.W. IRONERS

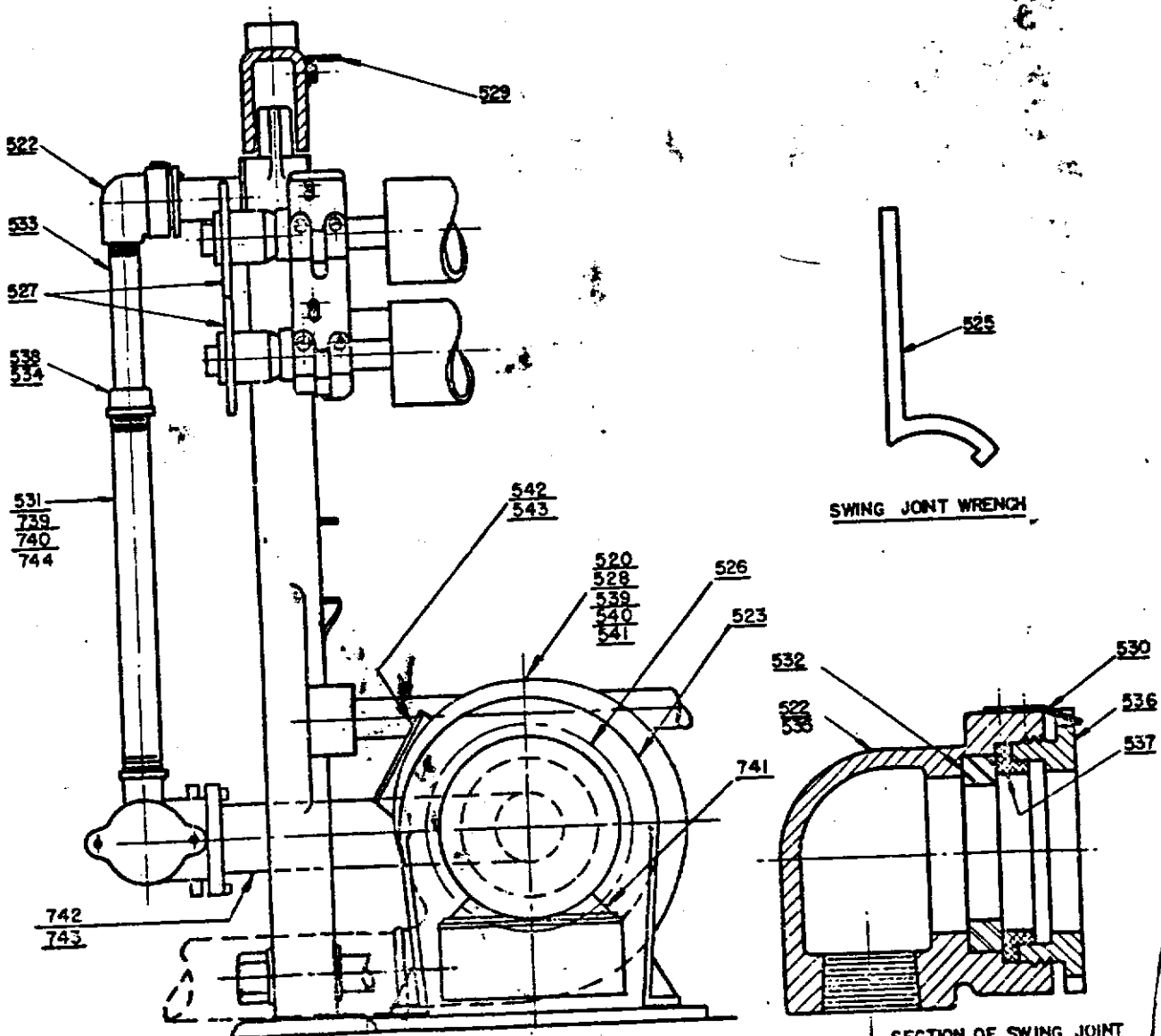
FIGURE 16

ITEM	NAME OF PART
17-1	R.H. BRKT. FOR SPOOL
17-2	L.H. BRKT. FOR SPOOL
17-3	SPOOL ARM SUPPORT (120°)
17-4	SPOOL STOP
17-5	WOOD SPOOL
17-6	TAPE
17-7	SPOOL ARM ASSEM.
17-8	COUNTERWEIGHT
17-9	HOLDER
17-10	STRIP
17-11	SPACER
17-12	STUD
17-13	PIN
17-14	SPOOL ROD ASSEM. (120°)
17-15	TAPE BAR BRACKET
17-16	STAPLER (NOT SHOWN)
17-17	STAPLES (NOT SHOWN)



**TAPE DEVICE**  
**8 ROLL SUPER SYLON FW. IRONER**

ITEM	NAME OF PART	PART NO.	QTY	DESCRIPTION	QTY
520	EXHAUST FAN HOUSING ASSEM.	3116-01053	535	SWING JOINT BODY	3116-730
			536	SWING JOINT COVER	3116-731
522	ASSEM SWING JOINT	3115-0726	537	PACKING FOR SWING JOINT	3116-982
523	SUPPORT BRKT	3116-1363	538	PACKING FOR SLIP JOINT	31140-941
			539	GARLOCK PACKING NO.17	COMM.
	WRENCH FOR SWING JOINT	3116-259	540	RHXHAUST FAN HOUSING ASSEM.	3116-01054
	IMPELLER	3116-319	541	RH.HOUSING	3116-5060
527	APRON ROLL SPROCKET 2IT. 4 P.	118-44	542	COVER	3116-6390
528	EXHAUSTER HOUSING	3116-5034	543	GASKET	3116-983
529	ANGLE IRON HOLDING OIL PIPES	3116-6283	739	VACUUM MANIFOLD-ASSEM. 6 ROLL	126-070
530	SWING JOINT LOCK	3116-6422	740	" " 8 & 12 ROLL	128-070
531	SLIP JOINT LOWER PIPE	110-73	741	MOTOR BRACKET	3116-1436
532	SPLIT COLLAR	31140-73	742	EXHAUST FAN INTAKE PIPE	128-71
533	SLIP JOINT UPPER PIPE	31140-703	743	EXHAUST FAN INTAKE (CONVEYOR)	128-77
534	SLIP JOINT LOCKING NUT	31140-705	744	VACUUM MANIFOLD ASSEM. 4 ROLL	124-075



END VIEW SHOWING VACUUM EXHAUSTER SYSTEM

END VIEW OF VACUUM EXHAUSTER  
4-6-8 & 12 ROLL SUPER SYLON F.W. IRONERS

SECTION OF SWING JOINT FOR VACUUM EXHAUST

THE AMERICAN LAUNDRY MACHINERY

129RP-12	124F
126RP-12	128F

SUPERSEDES

SUPERSEDED BY

6-20-49

DESCRIPTION	DEWEY NO.	CHANGES				AL.
		Starting with	Dewey No.	Y/N	Starting with	
Shaft 120"	3118.6121					
Shaft (Front) 120"	128.602					
Shaft (Center) 120"	3118.6123					
Shaft (Rear) 120"	3118.6165					
Socket Assem.	118.040					
Spring A-1205 p., Amplex Div.	C-19481					
Chain 92links 3/4P	110.652					
Frame	128.51					
Ring	3116.1288					
Shing	3116.1299					
Pressure Bar	3118.05017					
Lock Screw	128.620					
Drive Roll 120"	<del>118.082</del> 118.082					
Vision Roll 120"	110.086					
Roll 120"	<del>5118.081</del>					

ITEM NO.	DESCRIPTION	DEWEY NO.	C H A N G E S				ALM 98-01
			Starting with	Dewey No.	Y/N	Starting with	
3-4	Apron Guide Roll 120"	110.089					
3-5	" " " 110"	3118.0826					
3-6	Front Apron Idler Roll 120"	110.0800					
3-7	Apron Idler Roll 120"	3116.0885					
3-8	1st. Steam Chest 120"	128.81					
3-9	2nd. Steam Chest 120"	128.82					
3-10	3rd. Steam Chest 120"	128.83					
3-11	4th. Steam Chest 120"	128.84					
3-12	5th. Steam Chest 120"	128.85					
	6th. Steam Chest 120"	128.86					
	7th. Steam Chest 120"	128.87					
3-14	8th. Steam Chest 120"	128.88					
3-15	Upper Apron 120"	3118.940					
3-16	Lower Apron 120"	3118.945					
3-17	Worm Shaft Bearing (Rear)	3118.0134					
3-18	Center Worm Shaft Bearing	3118.1059					
3-19	Worm Oil Well	3118.1061					
3-20	Weight	116.20					
	Bell Crank Rear	3118.204					
	l Crank (Weighted)	116.21					

ITEM NO.	DESCRIPTION	DEWEY NO.	CHANGES				ALM. JI
			Starting with	Dewey No.	Y/N	Starting with	
3-23	Right Worm	110.40					
3-24	Left Worm	110.41					
3-25	Right Worm Gear	110.43					
3-26	Left Worm Gear	110.421					
3-27	Worm Gear Cover	110.501					
3-28	Stud	3118.635					
3-29	Connecting Rod	118.627					
3-30	Connecting Rod	31140.61					
3-31	Worm Shaft	3118.6129					
3-32	Stud	3118.6163					
3-33	R.H. Steam Manifold (Inlet)	128.0700					
3-34	Worm Shaft Brg. Bracket	3118.1062					
3-35	Bushing	3118.1067					
3-36	Slinger	3118.427					
3-37	Pin	361.677					
4-1	Weight	116.20					
4-2	Bell Crank (Weighted)	116.21					
4-3	Stud	3118.635					

ITEM NO.	DESCRIPTION	DEWEY NO.	CHANGES				ALMI 99-C	
			Starting with	Dewey No.	Y/N	Starting with		Dewey No.
4-4	L. H. Manifold Assem. (Outlet)	128.0701						
4-5	Bill Crank (rear)	116.22						
4-6	Connecting Rod (Lower)	116.632						
4-7	Connecting Rod (Upper)	116.630						
4-8	Stud	31140.6078						
5-1	Shaft Lower Pin	110.6053						
5-2	Shaft Lower	110.215						
5-3	Support Plate	110.1008						
5-4	Lower Shaft Lever	110.216						
5-5	Shifter Spool	3116.1091						
5-6	Shifter Lever Bracket	110.193						
5-7	R. H. Finger Guard Support Asy.	128.0106						
5-8	R.H. Casting for Finger Guard	128.138						
5-9	Coupling	3116.1043						
5-10	Support Rod	128.633						
5.11	Shaft Lever Extension	110.214						
5-12	Ribbon	128.900						
5-13	Assem. Upper R.A. RibbonFd.Brkt	110.0126						



ITEM NO	DESCRIPTION	DEWEY NO.	CHANGES				ALM 00-1	
			Starting with	Dewey No.	Y/N	Starting with		Dewey No.
5-14	Bearing Assembly	3116.01048						
5-15	Take Up Screw	3116.6418						
5-16	R. H. Bracket	110.1003						
5-17	Hex Collar	3116.6527						
5-18	Assem. Finger Guard 120"	128.639						
5-19	Assem. R. H. Bearing Brkt.	118.011						
5-20	Bushing	3118.1088						
5-21	Cap	3118.1090						
5-22	Bracket	118.102						
5-23	Assem. Chain Idler Lever	118.020						
5-24	Lever	118.20						
5-25	Bushing	3116.1329						
5-26	Swivel Pin	118.615						
5-27	Sprocket Axel	110.636						
5-28	Pin for Pendulum Bolt	31140.65						
5-29	Pin for Roll Box	3116.652						
5-30	Spring	285.606						
5-31	Pin	118.620						
5-32	Stud	110.635						

AD 565.088

DEWEY NUMBERS for Repair Parts Index Numbers in Manual No.

Dated July 1964 Class 128

Page 8 of 20

ITEM NO.	DESCRIPTION	DEWEY NO.	CHANGES				ALIAS OF DEWEY No.
			Starting with	Dewey No.	Y/N	Starting with	
5-33	Shifter Knob	15.25					
5-34	Spacer or Rod	118.70					
5-35	Clutch Shifter Shaft	128.606					
5-36	Clutch Shifter Extension	128.24					
5-37	Support Bracket	128.100					
5-38	Clutch Shifter ✓	128.20					
5-39	Lower R.H. Ribbon Feed Brkt.	128.010					
5-40	Connecting Rod	128.69					
5-41	R.H. Brkt. for Steel Feed Board	128.14					
6-1	Pressure Spring	3118.657					
6-2	Special Screw	3116.6021					
6-3	Pressure Spring Cap	3116.121					
6-4	L.H. Finger Guard Support Asy.	128.0107					
6-5	L.H. Casting for Finger Guard	128.137					
6-6	Coupling for Finger Guard	3116.1043					
6-7	Spring	31140.6093					
6-8	Shifter Knob	15.25					

ITEM NO.	DESCRIPTION	DEWEY NO.	CHANGES				ALIAS or Dewey No.
			Starting with	Dewey No.	Y/N	Starting with	
6-9	Assem. Upper L.H. Ribbon Feed Bracket	110.0125					
6-10	L.H. Bracket	110.1004					
6-11	Assem. L.H. Apron Drive Roll Bracket	118.012					
6-12	L. H. Bracket	118.103					
6-13	Upper Bushing	3118.1088					
6-14	Lower Bushing	3118.1089					
6-15	Feed Roll Sprocket 32T -3/4" P	3118.425					
6-16	Idle Sprocket, 15T-3/4" P	3118.0419					
6-17	Oilite Bearing A-1110 Chrysler Corp. Amplex Div.	C-19479					
6-18	Idler Stud	3118.6118					
6-19	Apron Roll Sprocket 21T-3/3"P	118.44					
6-20	Brkt. for Rod Bearing(not shown)	3118.199					
6-21	Bearing ( Not Shown)	3118.1000					
6-22	Roll Box Assembly	128.012					
6-23	L.H. Brkt. for Feed Board	128.15					
6-24	Lever for Finger Guard	128.22					
6.25	Yoke	339.193					
6.26	Lever	128.21					

ITEM NO.	DESCRIPTION	DEWEY NO.	CHANGES				ALIAS #
			Starting with	Dewey No.	Y/N	Starting with	
6-27	Stud	128.618					
6-28	Lever Extension	128.23					
6-29	Pin	361.676					
6-30	Spring for Finger Guard	613.639					
6-31	L.H. Lower Ribbon Feed Brkt.	128.011					
6-32	Drive Sprocket 20T-3/4" P	128.47					
6-33	Drive Chain 3/4" P-148 Links	128.607					
6-34	Clutch Shift Rod 8 Roll Mach.	128.64					
6-35	Knockout Rod 8 Roll Mach.	118.619					
7-1	R.H. Spiral Roll Brkt. Assem.	3118.0116					
7-2	L.H. Spiral Roll Brkt. Assem.	3118.0118					
7-3	R.H.Spiral Roll Bracket	3118.1018					
7-4	L.H. Spiral Roll Bracket	3118.1020					
7-5	Scale R. & L. H.	3116.1435					
7-6	Assem. Spiral Roll Brg.	3118.0117					
7-7	Brg. Housing	31181015					
7-8	Retainer	3118.1016					



ITEM NO.	DESCRIPTION	DEWEY NO.	CHANGES						Y/N		
			Starting with	Dewey No.	Y/N	Starting with	Dewey No.	Y/N		Starting with	Dewey No.
7-28	Tape Bar Bracket	126.14									
7-29	Pin for Spiral Roll Bracket	3116.651									
7-30	Apron Tension Handle	3118.202									
7-31	Stud for Connecting Rod	3118.6080									
7-32	Pivot Stud for Apron Tension Roll	118.626									
7-33	Bolt in Pressure Bar	31140.65									
8-1	Ribbon Shaft 120" Mach.	3116.6541									
8-2	Idle Roll 120" Mach.	31140.0848									
8-3	Ribbon Drive Roll 120" Mach.	3116.0899									
8-4	Finger Guard Shaft 120" Mach	110.6065									
8-5	Steel Feed Board Assem. 120" Machine	128.0602									
8-6	Finger	128.617									
8-7	R.H. Support for Feed Board	128.112									
8-8	L.H. Support for Feed Board	128.113									
8-9	Bibb Bar 120" Mach.	3116.914									

ALM 98-016



ITEM NO.	DESCRIPTION	DEWEY NO.	CHANGES				ALM 99-0 Y/I	
			Starting with	Dewey No.	Y/N	Starting with		Dewey No.
10-4	Cone Brkt. (All Mods)	110.140						
10-5	Disc Housing 4,6,& 8 Roll	3118.186						
10-6	Cover	3118.189						
10-7	Plate for Cone Brkt.	3118.190						
10-8	Sliding Piece	3118.192						
10-9	Univ. Drive Head 4,6,& 8 Roll	128.0104						
10-10	Pulley Brkt. 4,6 & 8 Roll	3118.1056						
10-11	Fork for Friction Clutch 4678	3118.1058						
10-12	Bushing for Sheave 4,6 & 8	3116.1339						
10-13	Fork for Rod	3118.23						
10-14	Cone Lever	110.26						
10-15	Lever for Clutch	110.27						
10-16	Throwout Lever	3118.27						
10-17	50T Speed Ind. Drive Gear	3116.4026						
10-18	Match Collar	110.617						
10-19	Shaft	110.618						
10-20	Stud for Roller	3118.6035						
10-21	Stud for Fork	3118.6040						
10-22	Stud for Throwout Lever	3118.6041						



ITEM NO.	DESCRIPTION	DEWEY NO.	CHANGES				ALMI 99
			Starting with	Dewey No.	Y/N	Starting with	
10-23	Stud for Lever	3118-6055					
10-24	Collar	3118.6059					
10-25	Roller	3118.848					
10-26	Rockford Friction Clutch 4,6, & 8 Roll	118.016					
10-27	Speed Indication Pinion Brkt.	110.158					
10-28	Spring for Throwout Lever	3118.6046					
10-29	Thrust Collar	118.104					
10-30	Sheave Assem. 8 Roll 60Cy. (r.-Dr.)	3116.034					
10-31	Sheave (Moter) Std.	128.39					
11-1	Roll (Std. Padding)	128.082					
11.2	Padding (Std. Roll)	128.92					
12-1	Adjustable Table Leg Assem.	110.0527					
12-2	Delivery Table (120")	3118.0916					
12-3	Bracket	3116.1190					
12-4	Cast Iron Washer	3116.1231					

ITEM NO.	DESCRIPTION	DEWEY NO.	C H A N G E S				Y/N	Starting with	Dewey No.	Starting with	Dewey No.	Y/N	Starting with	Dewey No.	Y/N
			Starting with	Dewey No.	Starting with	Dewey No.									
12-5	Foot for Adj. Leg	110.513													
12-6	Top for Adj. Leg	110.514													
12-7	Hinge Pin	3116.6302													
12-8	Tie Pin	3118.707													
13-1	Raising Rig Assem.	110.0132													
13-2	Spur Gear Assem. Iner Shaft	110.0405													
13-3	Main Bracket	110.1007													
13-4	Thrust Brg. for Pinion	3118.1069													
13-5	Shifter Spool	3116.1091													
13-6	Hand Wheel	3118.303													
13-7	34T-5P Spur Gear	110.48													
13-8	Bevel Gear	110.408													
13-9	14T-5P Spur Gear Steel	110.428													
13.10	14T-5P Spur Gear Steel	110.429													
13.11	Bevel Pinion	110.0406													
13.12	14T-5P Spur Gear (Steel)	110.434													
13-13:	14T-5P Spur Gear (Steel)	110.435													

ALMI 99-01

ITEM NO.	DESCRIPTION	DEWEY NO.	CHANGES				ALMI 99	
			Starting with	Dewey No.	Y/N	Starting with		Dewey No.
13-14	20T-5P Spur Gear (Steel)	110.436						
13-15	Bevel Gear Cover	3116.580						
13.16	Clutch Shaft	110.620						
13.17	Clutch Key	110.644						
13,18	Hand Wheel Shaft	110.6072						
13.19	Gear Shaft	110.6073						
13-20	Spring for Spacer	110.6075						
13-21	Shifter Rod	110.6078						
13-22	Spacer for Clutch Gear	110.6069						
13-23	Guard for Raise Rig.	118.0511						
14-1	Guide Block for Chests	3116.1277						
14-2	Crank for Hand Drive 4,6, & 8 Roll	3116.242						
14-3	Pin for Guide Block	30.609						
15-1	Adj. Box Apron Guide Assem.	3116.0102B						
15-2	Assem. Box	3116.01024						

ITEM NO.	DESCRIPTION	DEWEY NO.	CHANGES						
			Starting with	Dewey No.	Y/N	Starting with	Dewey No.	Y/N	
15-3	Auto Adj. Box Assem.	3116.01025							
15-4	Apron Box Assem.	3116.01026							
15-5	Apron Guide Adjuster	3116.01090							
15-6	Guide Box	3116.1284							
15-7	Guide Box	3116.1285							
15-8	Bar	3116.1286							
15-9	Guide Slide	3116.01089							
15-10	Rollers	3116.633							
15-11	Washer	3116.636							
15-12	Shaft	3116.6070							
15-13	Plate	3116.6364							
15-14	Plug	3116.6365							
15-15	Stud	3116.6367							
15-16	Bearing HP-95424 Hyatt Bearings Division General Motors Corp.	C-16068							
16-1	Pressure Indicator Assem.	124.010							
16-2	Bracket	124.12							
16-3	D1a1	124.13							

ALMI 99-016

ITEM NO.	DESCRIPTION	DEWEY NO.	CITATIONS				Y/I
			Starting with	Dewey No.	Starting with	Dewey No.	
16-4	Pointer	124.15					
16-5	Lever	124.20					
16-6	Stud	124.62					
16-7	Spring	118.643					
16-8	Index Finger	124.14					
17-1	R.H. Brkt. for Spool	3116.1440					
17-2	L.H. Brkt. for Spool	3116.1441					
17-3	Spool Arm Support 120"	126.600					
17-4	Spool Stop	3116.920					
17-5	Wood Spool	3116.989					
17-6	Tape	3116.986					
17-7	Spool Arm Assem.	126.010					
17-8	Counterweight	126.11					
17-9	Holder	126.12					
17-10	Strip	126.13					
17-11	Spacer	126.68					
17-12	Stud	126.69					
17-13	Pin	609.621					

- 2 *[Handwritten signature]*

