

**ILLUSTRATED
PARTS
MANUAL**

**HYPRO II
FLATWORK IRONER**

PRODUCT CODES 152-158

FOR MACHINES PRODUCED WITH SERIAL
NUMBERS SUBSEQUENT TO 156004981077



**AMERICAN LAUNDRY MACHINERY
a McGraw-Edison Company Division**

5050 Section Avenue, Cincinnati, Ohio 45212

ILLUSTRATED PARTS MANUAL

FLATWORK IRONER

Table of Contents

Paragraph		Page
6-1	GENERAL	6-1
6-2	CONTENTS	6-1
6-3	PURPOSE	6-1
6-4	TITLES	6-1
6-5	ITEM NUMBER (NO.) COLUMN	6-1
6-6	PART NUMBER (NO.) COLUMN	6-1
6-7	DESCRIPTION COLUMN	6-1
6-8	MANUFACTURER'S (MFRS) CODE COLUMN	6-1
6-9	UNITS PER ASSEMBLY (ASSY) COLUMN	6-2
6-10	ATTACHING PARTS	6-2
6-11	REPAIR PARTS ORDERING	6-2
6-12	ABBREVIATIONS	6-2

Figure

6-1	Right Front Photographic View of Class 160 Flatwork Ironer	6-5
6-2	Photographic View of Motor Drive Assembly and Roll Drive	6-6
6-3	Motor Drive Assembly	6-7
6-4	Two Roll Drive and Connecting Frame	6-12
6-5	Three Roll Drive and Connecting Frame	6-15
6-6	Four Roll Drive and Connecting Frame	6-18
6-7	Five Roll Drive and Connecting Frame	6-21
6-8	Six Roll Drive and Connecting Frame	6-24
6-9	Seven Roll Drive and Connecting Frame	6-27
6-10	Eight Roll Drive and Connecting Frame	6-30
6-11	Basic Double Roll Module Sprocket, Main Bearing Housing	6-33
	Assembly, and Universal Drive Shaft	
6-12	Adjustable Motor Base (3BH5-ERC)	6-35
6-13	Adjustable Motor Base (4BH5-ERC)	6-37
6-14	Torque Limiter	6-39
6-15	Clutch Assembly	6-40
6-16	Front Assembly	6-41
6-17	Air Cylinder Drive Mechanism	6-44
6-18	Vacuum Adapter Assembly	6-46
6-19	Steam Piping Components	6-47
6-20a	Drip Pan and Lubrication System, 3 Roll	6-49
6-20b	Drip Pan and Lubrication System, 4 Roll	6-51
6-20c	Drip Pan and Lubrication System, 5 Roll	6-53
6-20d	Drip Pan and Lubrication System, 6 Roll	6-55
6-20e	Drip Pan and Lubrication System, 7 Roll	6-57
6-20f	Drip Pan and Lubrication System, 8 Roll	6-59
6-21	Oil Injector	6-61
6-22	Oil Pump	6-63
6-23	Timer Assembly	6-65
6-24	Air System Components	6-68
6-25	Machine Electrical Parts	6-70
6-26	Roll Raise Solenoid Valve	6-72

PRODUCT CODE 152

ILLUSTRATED PARTS MANUAL

FLATWORK IRONER

Table of Contents (cont'd)

Figure		Page
6-27	Clutch and Oiler Solenoid Valve	6-74
6-28	Reed Switch Solenoid Valve	6-76
6-29	Electrical Control (120V-208V/3Ph/60Hz 7-1/2 Hp, 15 Hp, 20 Hp)	6-78
6-30	Electrical Control (220V-240V/3Ph/60Hz 7-1/2 Hp, 15 Hp, 20 Hp)	6-81
6-31	Electrical Control (440V-480V/3Ph/60Hz 7-1/2 Hp, 15 Hp, 20 Hp)	6-84
6-32	Electrical Control (550V-600V/3Ph/60Hz 7-1/2 Hp, 15 Hp, 20 Hp)	6-88

Table		Page
6-1	Manufacturer's Code	6-3
6-2	Spare Parts 60 Hz (7-1/2 Hp, 15 Hp, 20 Hp)	6-80

6.1 GENERAL

This section contains an illustrated parts breakdown of the Flatwork Ironer, PC135. Assemblies and parts are listed and illustrated for repair part purposes.

6.2 CONTENTS

Parts listings are provided with descriptions of assemblies and parts used on the unit. For cross reference purposes the index numbers on the figures and the item numbers listed in the ITEM NO. column are the same.

6.3 PURPOSE

The illustrated parts manual is intended for use in ordering parts and illustrating part relationship.

6.4 TITLES

The illustration and accompanying parts list are assigned the same title.

6.5 ITEM NUMBER (NO.) COLUMN

The item number listed in the ITEM NO. column of the parts list is formed by the figure number and the index number assigned to the part on the referenced figure.

6.6 PART NUMBER (NO.) COLUMN

The part number listed in the PART NUMBER column is the ALM assigned part number and should be used for ordering the related part from ALM.

6.7 DESCRIPTION

The description of an assembly or part is listed in the DESCRIPTION column opposite the part number assigned it. The relationship of assemblies and parts is shown by the indent level under the numbers 1 through 7 in the DESCRIPTION column heading. The complete unit has an indent level of 1. Assemblies or parts assembled directly onto the unit have an indent level of 2. Parts of an assembly or a subassembly have an indent level of 3. Additional subassemblies or parts of such subassemblies have an indent level of 4 through 7 as applicable.

The part numbers of parts manufactured by manufacturers other than ALM and not modified by ALM are listed enclosed in parenthesis immediately following the part description. ~~The manufacturer of such parts can be determined by referring to the MFRS CODE column. (Refer to paragraph 8.)~~

6.8 MANUFACTURER'S (MFRS) CODE COLUMN

The five digit number listed in the MFRS CODE column are manufacturer's code numbers and indicate the manufacturer of the part. The five digit manufacturer's number is listed in numerical sequence in table 2. If no number is listed in the MFRS CODE column the part is an ALM manufactured part. The manufacturer's name and address is listed with the manufacturer's code.

6.9 UNITS PER ASSEMBLY COLUMN

The number listed in the UNITS PER ASSY column is the quantity required of the listed part in its immediate assembly. The abbreviation ref indicates the related item is shown elsewhere and the referenced listing should be consulted for additional information. The abbreviation np in the UNITS PER ASSY column indicates that the item is not procurable and the next higher assembly (as indicated by indent level) should be ordered.

6.10 ATTACHING PARTS

Parts which are used to attach assemblies and parts to the preceding listed assembly or part are listed under (ATTACHING PARTS) in the DESCRIPTION column. These attaching parts are listed immediately following the assembly or part they attach and preceding any breakdown of the assembly. The symbol - - - * - - - is used to denote the attaching parts listing.

6.11 REPAIR PARTS ORDERING

Whenever ordering replacement parts from American Laundry Machinery, always give complete nameplate data, including machine serial number.

6.12 ABBREVIATIONS

The definition of abbreviations used throughout the manual are listed below:

ALM	American Laundry Machinery	Pri	primary
Amp	ampere	Rd	round
A/R	as required	Ref	reference
Bla	black	Rh	right hand
Brs	brass	Sec	secondary
Cad	cadmium	Sgl	single
Comp	compression	Sh	sheet
Dbl	double	Sl	slotted
Dia	diameter	Sq	square
Ft	feet	St	stroke
Hex	hexagon	Stl	steel
hd	head	Std	standard
Hp	horse power	T	tee
Hz	hertz	Thk	thick
Id	inside diameter	V	volt
In.	inch	W/	with
Lg	long	Zn	zinc
LH	left hand		
Met	metal		
Mfrs	manufacturers		
Met	metal		
MPT	Male Pipe Thread		
Nc	normally closed		
No	normally open		
No.	number		
NPT	American Standard Taper Pipe Thread		
P	pipe		
Ph	phase		
Pl	plate		
Pos	position		

PRODUCT CODE 152

Table 6-1. Manufacturer's Code

CODE NO.	MANUFACTURER'S NAME AND ADDRESS
00013	Abart Gear and Machine Co. 4830 West 16TH St Cicero, IL 60650
01121	Allen-Bradley Co. 1201 South 2ND St Milwaukee, WI 53204
04221	Midtex Inc./Aemco Div 1650 Tower Blvd North Mankato, MN 56001
04895	Lincoln St. Louis, Div of McNiel Corp 4010 Goodfellow Blvd St. Louis, MO 63120
09761	Bundy Tubing Co. 12345 E. Nine Mile Rd Warren, MI 48090
14317	Cincinnati Fan and Ventilator Co. 5345 Creek Rd Cincinnati, OH 45242
19220	Eberhard Mfg. Co. 21944 Drake Rd Strongsville, OH 44136
23826	Furnas Electric Co. 1004 McKee St Batavia, IL 60510
27780	General Time Corp, Industrial Controls Div 135 S. Main St Thomaston, CT 06787
28455	Hevi-Duty Electric Co., Div of Sola Basic Industries Inc Hwy 117 South, P.O. Box 268 Goldsboro, NC 27530
30327	I-T-E Imperial Corp, Subsidiary of Gould Inc., Valve and Fitting Div. 6300 W. Howard St. Chicago, IL 60648
31875	Horton Mfg Co. Inc 1179 15TH Avenue, SE Minneapolis, MN 55414
43766	Nice Ball Bearing Co. 30TH and Hunting Park Ave. Philadelphia, PA 19140

PRODUCT CODE 152

Table 6-1. Manufacturer's Code (cont'd)

CODE NO.	MANUFACTURER'S NAME AND ADDRESS
43990	C. A. Norgren Co. 5400 S. Delaware St. Littleton, CO 80120
52090	I-T-E Imperial Corp, Subsidiary of Gould Inc. Control and Systems Div. Bethel Road, P.O. Box 306 Westminster, MD 21157
60399	Torin Corp. Kennedy Drive Torrington, CT 06790
61775	Westinghouse Air Brake Co., Union Switch and Signal Div. 1789 Braddock Avenue Pittsburgh, PA 15218
70295	Bijur Lubrication Corp 151 W. Passaic St. Rochele Park, NJ 07662
71176	Browning Mfg. Co., Div. of Emerson Electric Co. 1248 E. Second St, P.O. Box 687 Maysville, KY 41056
71400	Bussman Mfg., Div. McGraw-Edison Co. 2536 W. University St. St. Louis, MO 63107
73559	Carling Electric Inc. 505 New Park Avenue West Hartford, CT 06110
76117	Marathon Electric Mfg. Corp Main St Chicago, IL 60518
77342	AMF Inc. Potter and Brumfield Div. 200 Richland Creek Dr Princeton, IN 47671
81978	Skinner Electric Valve, Div. Skinner Precision Industries Inc. 95 Edgewood Avenue New Britain, CT 06050
89020	Control Products, Div. Amerace Corp 1065 Floral Avenue Union, NJ 07083
91802	Industrial Devices Inc. 982 River Road Edgewater, NJ 07020

Table 6-1. Manufacturer's Code (cont'd)

CODE NO.	MANUFACTURER'S NAME AND ADDRESS
91929	Honeywell Inc. Micro Switch Div. Chicago and Spring Streets Freeport, IL 61032
92029	Fluid Components, Div. Deltrol Corp. Grant and 30TH Avenues Bellwood, IL 60104
92563	McGill Mfg. Co. Inc., Bearings Div. 907 Lafayette Valparaiso, IN 46383
92578	Penn Controls Inc. 2221 Camden Ct. Oak Brook, IL 60521
96432	Gerbing Mfg. Corp. S. State Rd, P.O. Box 727 Elgin, IL 60120
96820	Johns-Manville Fiber Glass Inc. 410 Holms Rd Houston, TX 77025

NOTE

THIS PAGE INTENTIONALLY LEFT BLANK.

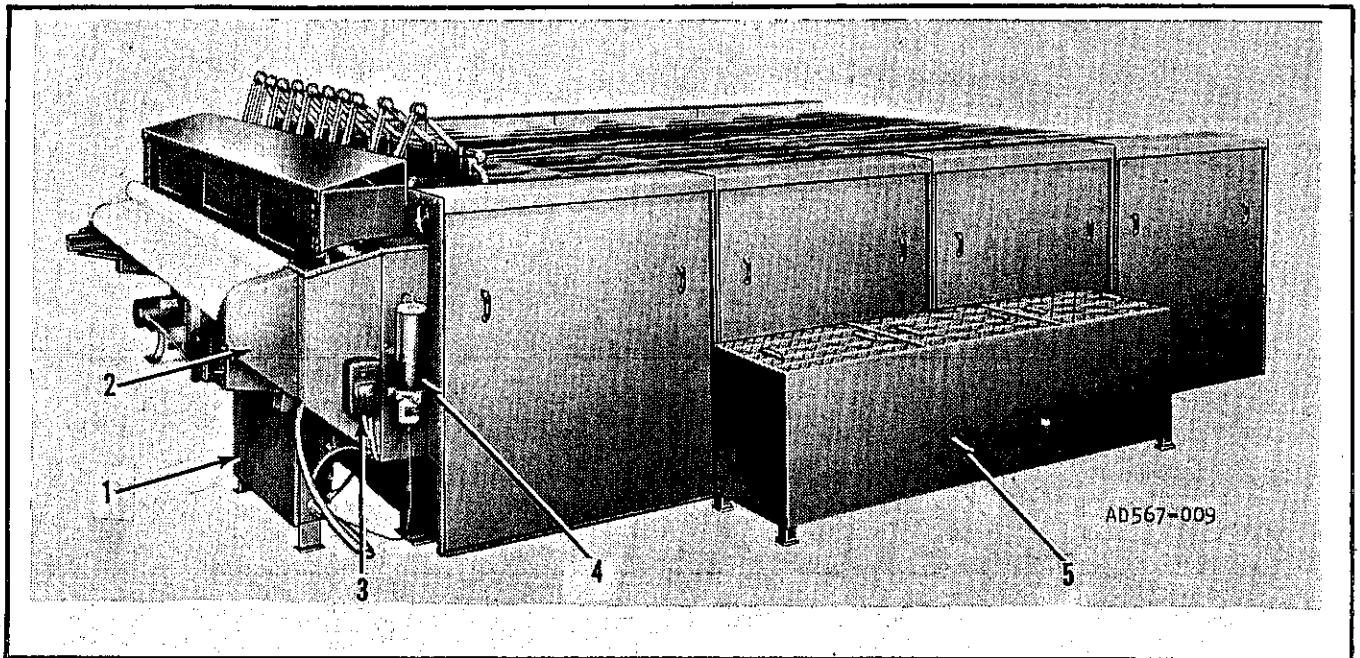


Figure 6-1. Right Front Photographic View of Class 160 Flatwork Ironer

1. ELECTRICAL CONTROL ASSEMBLY (See figures 29 thru 32.)
2. FRONT ASSEMBLY (See figure 16.)
3. MACHINE ELECTRICAL PARTS (See figure 25.)
4. DRIP PAN AND LUBRICATION SYSTEM (See figure 20.)
5. MOTOR DRIVE ASSEMBLY (See figure 3.)

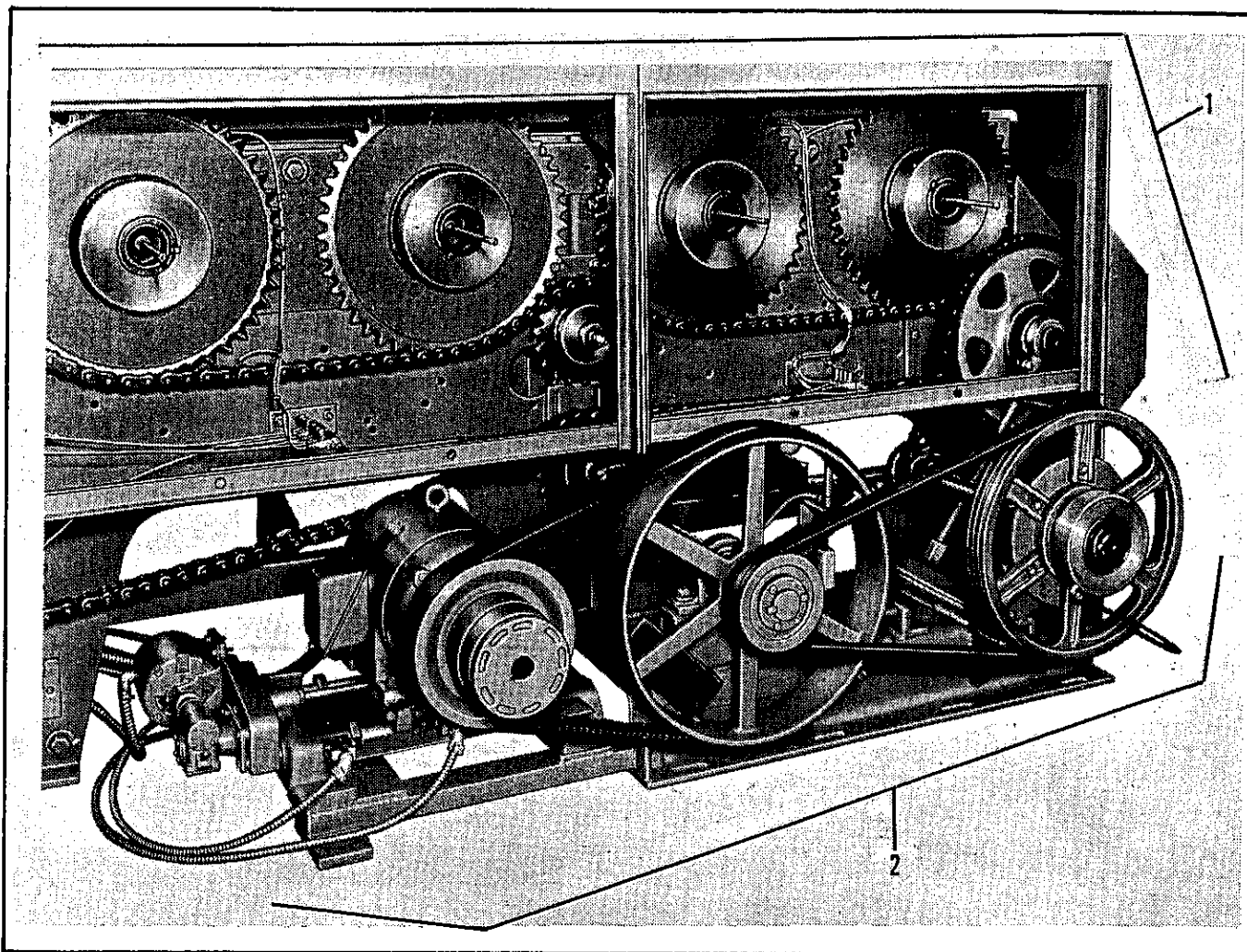


Figure 6-2. Photographic View of Motor Drive Assembly and Roll Drive

1. MOTOR DRIVE ASSEMBLY (See figure 3.)
2. ADDITIONAL PARTS REQUIRED FOR 2,3,4,5, 6,7 and 8 ROLL DRIVE (See figures 4,5, 6,7,8,9 and 10.)
3. LUBRICATION SYSTEM (See figure 19.)

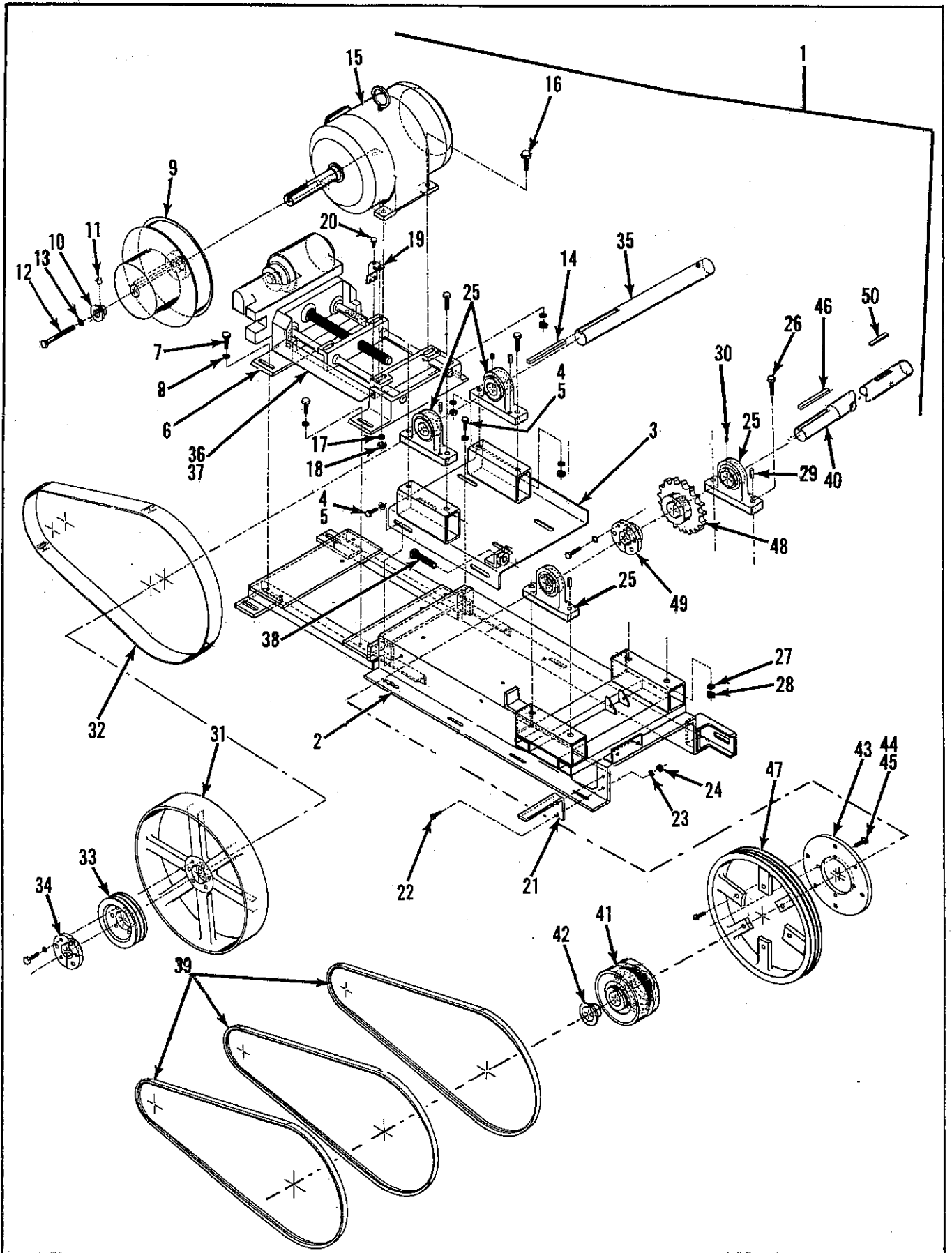


Figure 6-3. Motor Drive Assembly

ITEM NO.	PART NO.	DESCRIPTION							MFRS. CODE	UNITS PER ASSY
		1	2	3	4	5	6	7		
-1		DRIVE ASSY, flat work ironer (Specify one of the following:)								1
-1-1	160-0120	DRIVE ASSY, flat work ironer 3-3/4-7-1/2 hp 2 speed motor								
-1-2	160-0121	DRIVE ASSY, flat work ironer 7-1/2-15 hp 2 speed motor								
-1-3	160-0122	DRIVE ASSY, flat work ironer 10-20 hp 2 speed motor								
-2	160-063	BASE, drive								1
-3	160-062	PLATE, top								1
-4	C-62160	(ATTACHING PARTS) BOLT, 5/8-11 x 1-1/2 in. lg hex. hd								10
-5	C-80529	WASHER, 5/8 in. id flat								10
-6		MOTOR BASE, adjustable (For breakdown see figures 12 & 13.) (Specify one of the following:)							96432	1
-6-1	141-1815	MOTOR BASE, adjustable for motor frame 215T 200v-208v/3ph/60Hz 7-1/2 hp (3BH10)							96432	
-6-2	141-1816	MOTOR BASE, adjustable for motor frame 215T 220v-240v/440v-480v/3ph/60Hz 7-1/2 hp (3BH10)							96432	
-6-3	141-1817	MOTOR BASE, adjustable for motor frame 215T 550v-600v/3ph/60Hz 7-1/2 hp (3BH10)							96432	
-6-4	141-1818	MOTOR BASE, adjustable for motor frame 256T and 284T 200v-208v/3ph/60Hz 15-20 hp (4BH9)							96432	
-6-5	141-1819	MOTOR BASE, adjustable for motor frame 256T and 284T 220v-240v/440v-480v/3ph/60Hz 15-20 hp (4BH9)							96432	
-6-6	141-1820	MOTOR BASE, adjustable for motor frame 256T and 284T 550v-600v/3ph/60Hz 20 hp (4BH9)							96432	
-6-7	141-1861	MOTOR BASE, adjustable for motor frame 215T 220v-380v/3ph/50Hz 7-1/2 hp (3BH10)							96432	
-6-8	141-1862	MOTOR BASE, adjustable for motor frame 215T 400v-440v/3ph/50Hz 7-1/2 hp (3BH10)							96432	
-6-9	141-1863	MOTOR BASE, adjustable for motor frame 256T and 284T 220v-380v/3ph/50Hz 15 hp (4BH9)							96432	
-6-10	141-1864	MOTOR BASE, adjustable for motor frame 256T and 284T 400v-440v/3ph/50Hz 15 hp (4BH9)							96432	
-7	C-62162	(ATTACHING PARTS) BOLT, 5/8-11 x 1-1/2 in. lg hex. hd								4

PRODUCT CODE 152

ITEM NO.	PART NO.	DESCRIPTION							MFRS. CODE	UNITS PER ASSY
		1	2	3	4	5	6	7		
-8	C-85529									4
-9									96432	1
-9-1	1005909								96432	
-9-2	1005891								96432	
-9-3	1005792								96432	
-10	141-1925									1
-11	C-55035									1
-12	C-63469									1
-13	C-43301									1
-14										
-15										
-15-1	141-1796									
-15-2	141-1797									
-15-3	141-1798									
-15-4	141-1799									
-15-5	141-1800									
-15-6	141-1801									
-15-7	141-1802									
-15-8	141-1803									
-15-9	141-1804									
-15-10	141-1805									
-15-11	141-1806									
-15-12	141-1807									
-15-13	141-1855									
-15-14	141-1856									
-15-15	141-1857									
-15-16	141-1858									
-15-17	141-1871									
-15-18	141-1872									

ITEM NO.	PART NO.	DESCRIPTION							MFRS. CODE	UNITS PER ASSY
		1	2	3	4	5	6	7		
-16	C-62164	(ATTACHING PARTS)								4
-17	C-43217	BOLT, 5/8-11 x 2-1/4 in.lg hex.hd								4
-18	C-48019	LOCKWASHER, 5/8 in.								4
-19	441-1791	NUT, 5/8-11 hex.								4
-19	441-1791	- - - * - - -								
-19	441-1791	BRACKET, actuating switch								1
-20	C-62463	(ATTACHING PARTS)								
-20	C-62463	SCREW, 1/4-10 x 1 in. lg hex.hd								2
-21	160-684	- - - * - - -								
-21	160-684	BRACKET, air line								
-22	C-62110	(ATTACHING PARTS)								
-22	C-62110	SCREW, 5/16-16 x 1-1/4in.lg hex. hd								2
-23	C-43211	LOCKWASHER, 5/16 in.								2
-24	C-48010	NUT, hex. 5/16-18								2
-25	1005875	- - - * - - -								
-25	1005875	BEARING BLOCK, 2-1/4in.bore (PB350)							71176	4
-26	C-62162	(ATTACHING PARTS)								
-26	C-62162	BOLT, 5/8-11 x 1-1/2in.lg hex.hd								8
-27	C-85529	WASHER, 5/8in.id flat								8
-28	160-620	NUT, bearing mount								8
-29	C-54668	- - - * - - -								
-29	C-54668	PIN, roll 59-048-250-1250								4
-30	C-62556	SCREW, 5/16-18 x 3/8in.lg half dog set								2
-31		PULLEY, companion flat (Specify one of the following:)							96432	1
-31-1	1005917	PULLEY, companion flat 32-24							96432	
-31-2	1005800	3-3/4 hp - 7-1/2 hp								
-32		PULLEY, companion flat 42-24							96432	
-32		7-1/2 hp - 20 hp								
-32-1	1005925	BELT, (Specify one of the following:)							96432	1
-32-2	1005818	BELT (4430V1030) 3-3/4-7-1/2 hp							96432	
-33		BELT (4430V1030) 7-1/2-15hp, 15-20hp							96432	
-33-1	1005933	SHEAVE (Specify one of the following:)							71176	1
-33-2	1005826	SHEAVE (3Q5V71) 3-3/4-7-1/2hp							71176	1
-34	1029206	SHEAVE (3Q5V75) 7-1/2-15, 15-20hp							71176	1
-35	160-621	BUSHING, 2-1/4 in.bore (Q1)							76117	2
-36	141-1844	SHAFT								1
-37	C-62463	BRACKET, micro switch mounting								1
-38	C-63303	(ATTACHING PARTS)								
-39	1005842	SCREW, 1/4-20 x 1 in.lg hex.hd								2
-40	160-622	- - - * - - -								
-41	1005859	SCREW, 1-8 x 4in.lg sq hd set								1
		BELT, (5V10160)							71176	3
		SHAFT								1
		CLUTCH (5H70P) (For breakdown see figure 15.)							31875	1

ITEM NO.	PART NO.	DESCRIPTION							MFRS. CODE	UNITS PER ASSY
		1	2	3	4	5	6	7		
-42	1012160								31875	1
-43	160-31									1
-44	C-62027									6
-45	C-43217									6
-46										1
-47	160-30									1
-48									31875	1
-48-1	1029164								31875	
-48-2	1029172								31875	
-48-3	1029180								31875	
-48-4	1005867								31875	
-48-5	1029198								31875	
-48-6	1046556								31875	
-48-7	1046564								31875	
-48-8	1046572								31875	
-49	1029206								31875	1
-50										1

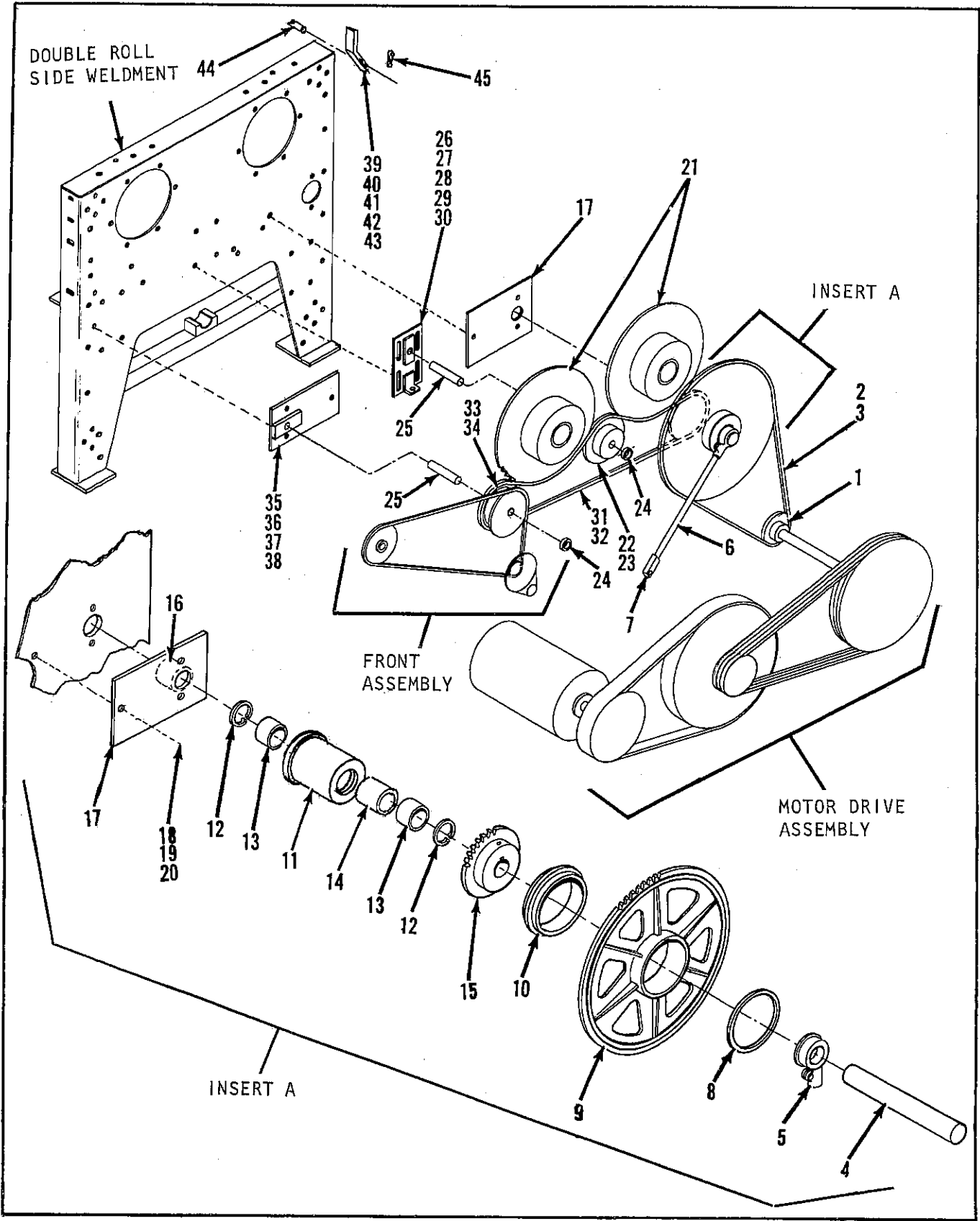


Figure 6-4. Two Roll Drive and Connecting Frame

PRODUCT CODE 152

ITEM NO.	PART NO.	DESCRIPTION							MFRS. CODE	UNITS PER ASSY
		1	2	3	4	5	6	7		
	160-0622	ADDITIONAL PARTS REQUIRED FOR								
-1		2 ROLL DRIVE AND CONNECTING FRAME								ref
-2	M-92083	SPROCKET, drive								a/r
-3	C-42588	CHAIN, 1-1/4 in. pitch roller(100)								1
-4	160-68	LINK, chain connect (100)								1
-5	141-107	STUD, main drive								1
-6	141-62-	COLLAR, strut								1
-7	160-692	STRUT								1
-8	160-158	STRUT END								1
-9	141-4126	WASHER, thrust								1
-10	141-6784	SPROCKET, main drive								1
-11	160-061	SPACER, drive								1
-12	C-58986	HUB ASSY, main drive								1
-13	C-16043	RING, retaining							60399	2
-14	160-128	BEARING, roller (HJ-445628)								2
-15	160-042	SPACER								1
-16	C-62320	SPROCKET, chain drive								1
-17	160-0111	SCREW, 1/2-13 x 3/4 in. lg set								1
		PLATE, jack shaft base								1
		(ATTACHING PARTS)								
-18	C-62164	SCREW, 5/8-11 x 2-1/4 in. lg hex. hd								3
-19	C-43320	LOCKWASHER, 1/2 in. cad. pl								3
-20	C-48202	NUT, 5/8-11 cad. pl hex.								3
		- - - * - - -								
-21	160-041	SPROCKET (For breakdown see fig.11.)								ref
-22	160-043	IDLER SPROCKET ASSY								1
-23	C-14673	BEARING (MR-24-N)							92563	2
-24	C-22276	COLLAR, 1-1/2 in. set								2
-25	160-611	SHAFT, right hand thread idler								2
-26	160-0108	BRACKET, short adjustable mounting								1
		(ATTACHING PARTS)								
-27	C-62433	SCREW, 1/2-13 x 1-1/2 in. lg hex. hd								4
-28	C-80516	WASHER, 1/2 in.								4
-29	C-43330	LOCKWASHER, 1/2 in. cad. pl								4
-30	10-2045	NUT (74-11-150-13)								4
		- - - * - - -								
-31	M-92096	CHAIN, 1-1/2 in. pitch roller(120)								a/r
-32	1007400	LINK, chain connecting (120)								1
-33	160-045	SPROCKET, feed end								1
-34	C-14673	BEARING (MR-24-N)							92563	2
-35	160-0112	BRACKET, 1st idler feed end								1
		(ATTACHING PARTS)								
-36	C-62502	SCREW, 5/8-11 x 1-1/2 in. cad. pl hex hd								3
-37	C-43320	LOCKWASHER, 5/8 in.								3
-38	C-48202	NUT, 5/8-11 cad. pl hex.								3
		- - - * - - -								
-39	141-179	BRACKET, rear tape								2
		(ATTACHING PARTS)								
-40	1003177	SCREW, 1/2-13 x 2-1/4 in. lg hex. hd								2

ITEM NO.	PART NO.	DESCRIPTION							MFRS. CODE	UNITS PER ASSY
		1	2	3	4	5	6	7		
-41	C-80760									2
-42	C-43361									2
-43	1000-43									2
-44	141-7022									1
-45	C-54536									2

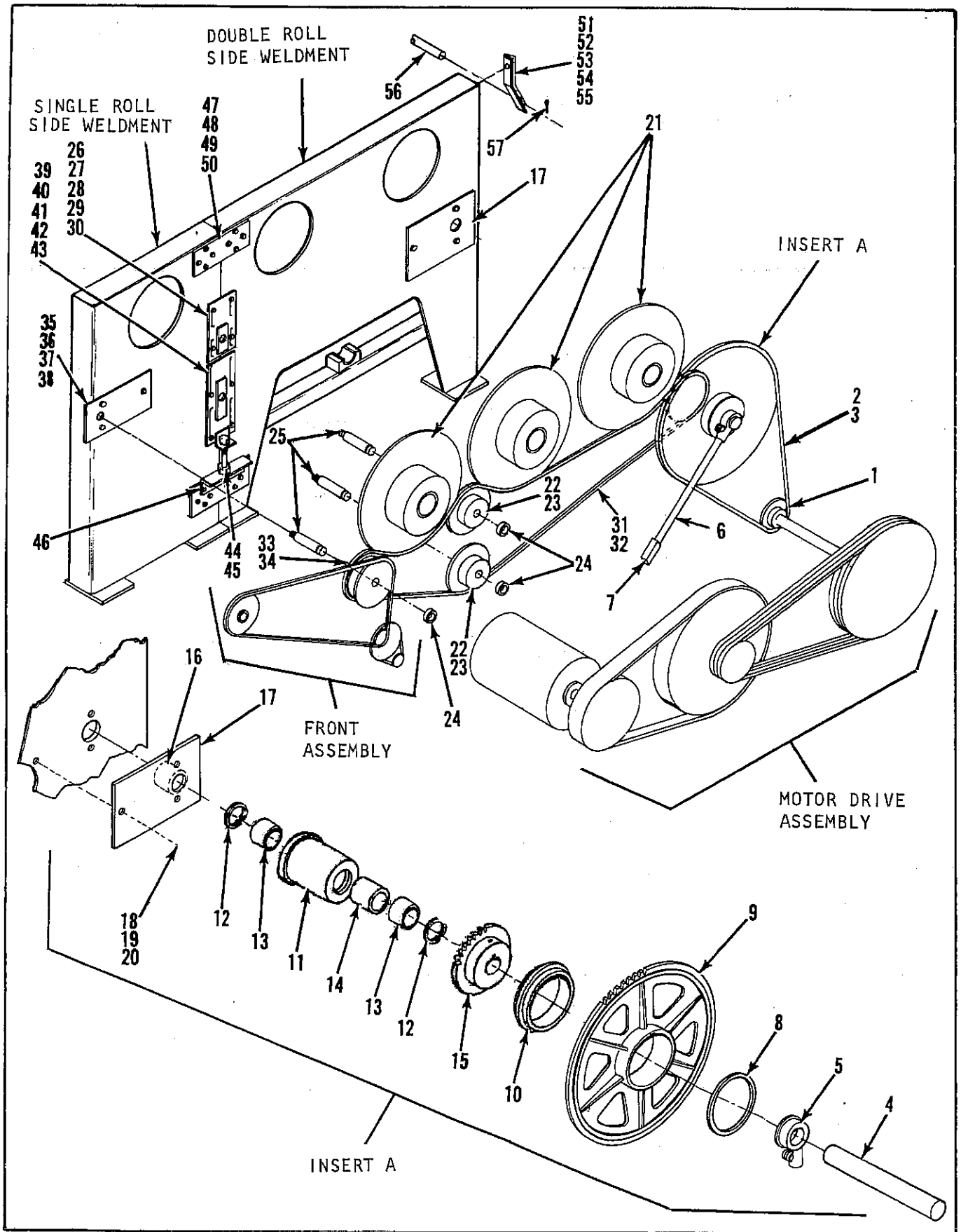


Figure 6-5. Three Roll Drive and Connecting Frame

ITEM NO.	PART NO.	DESCRIPTION							MFRS. CODE	UNITS PER ASSY
		1	2	3	4	5	6	7		
	160-0623	ADDITIONAL PARTS REQUIRED FOR 3-ROLL DRIVE AND CONNECTING FRAME								
-1		SPROCKET, drive								ref
-2	M-92083	CHAIN, 1-1/4 in. pitch roller (100)								a/r
-3	C-42588	LINK, chain connect (100)								1
-4	160-68	STUD, main drive								1
-5	141-107	COLLAR, strut								1
-6	141-627	STRUT								1
-7	160-692	STRUT END								1
-8	160-158	WASHER, thrust								1
-9	141-4126	SPROCKET, main drive								1
-10	141-6784	SPACER, drive								1
-11	160-061	HUB ASSY, main drive								1
-12	C-58986	RING, retaining								2
-13	C-16043	BEARING, roller (HJ-445628)							60399	2
-14	160-128	SPACER								1
-15	160-042	SPROCKET, chain drive								1
-16	C-62320	SCREW, 1/2-13 x 3/4 in. lg set								1
-17	160-0111	PLATE, jack shaft base								1
		(ATTACHING PARTS)								
-18	C-62164	SCREW, 5/8-11 x 2-1/4 in. lg hex. hd								3
-19	C-43320	LOCKWASHER, 1/2 in. cad. pl								3
-20	C-48202	NUT, 5/8-11 cad. pl hex.								3
		- - - * - - -								
-21	160-041	SPROCKET (For breakdown see fig. 11.)								ref
-22	160-043	IDLER SPROCKET ASSY								2
-23	C-14673	BEARING (MR-24-N)							92563	2
-24	C-22276	COLLAR, 1-1/2 in. set								3
-25	160-611	SHAFT, right hand thread idler								3
-26	160-0107	BRACKET, short idler mounting								1
		(ATTACHING PARTS)								
-27	C-62433	SCREW, 1/2-13 x 1-1/2 in. lg hex. hd								4
-28	C-80516	WASHER, 1/2 in.								4
-29	C-43330	LOCKWASHER, 1/2 in. cad. pl								4
-30	1022045	NUT (74-11-150-13)								4
		- - - * - - -								
-31	M-92096	CHAIN, 1-1/2 in. pitch roller (120)								a/r
-32	1007400	LINK, chain connecting (120)								1
-33	160-045	SPROCKET, feed end								1
-34	C-14673	BEARING (MR-24-N)							92563	2
-35	160-0112	BRACKET, 1st idler feed end								1
		(ATTACHING PARTS)								
-36	C-62502	SCREW, 5/8-11 x 1-1/2 in. cad. pl hex. hd								3
-37	C-43320	LOCKWASHER, 5/8 in.								3
-38	C-48202	NUT, 5/8-11 cad. pl hex.								3
		- - - * - - -								
-39	160-0110	BRACKET, long idler mounting								1

PRODUCT CODE 152

ITEM NO.	PART NO.	DESCRIPTION							MFRS. CODE	UNITS PER ASSY
		1	2	3	4	5	6	7		
		(ATTACHING PARTS)								
-40	C-62433									4
		SCREW, 1/2-13 x 1-1/2 In. Lg Hex. Hd								
-41	C-80516									4
		WASHER, 1/2 In.								
-42	C-43330									4
		LOCKWASHER, 1/2 In. Cad. Pl								
-43	1022045									4
		NUT (74-11-150-13)								
		- - - * - - -								
-44	1022052									1
		SCREW, 5/8-11 x 9 In. Lg								
-45	C-48202									1
		NUT, 5/8-11 Cad. Pl Hex.								
-46	160-142									1
		ANGLE, adjusting								
-47	160-127									4
		PLATE, tie								
		(ATTACHING PARTS)								
-48	C-62502									16
		SCREW, 5/8-11 x 1-1/2 In. Cad. Pl Hex. Hd								
-49	C-43320									16
		LOCKWASHER, 5/8 In. Cad. Pl								
-50	C-48202									16
		NUT, 5/8-11 Cad. Pl Hex.								
		- - - * - - -								
-51	141-179									2
		BRACKET, rear tape								
		(ATTACHING PARTS)								
-52	1003177									2
		SCREW, 1/2-13 x 2-1/4 In. Lg Hex. Hd								
-53	C-80760									2
		WASHER, 9/16 In. ID								
-54	C-43361									2
		LOCKWASHER, 9/16 In. ID								
-55	1000843									2
		NUT, 1/2-13 Hex.								
		- - - * - - -								
-56	141-022									1
		BAR								
-57	C-54536									2
		PIN, 1/8 In. Dia x 2 In. Lg cotter								

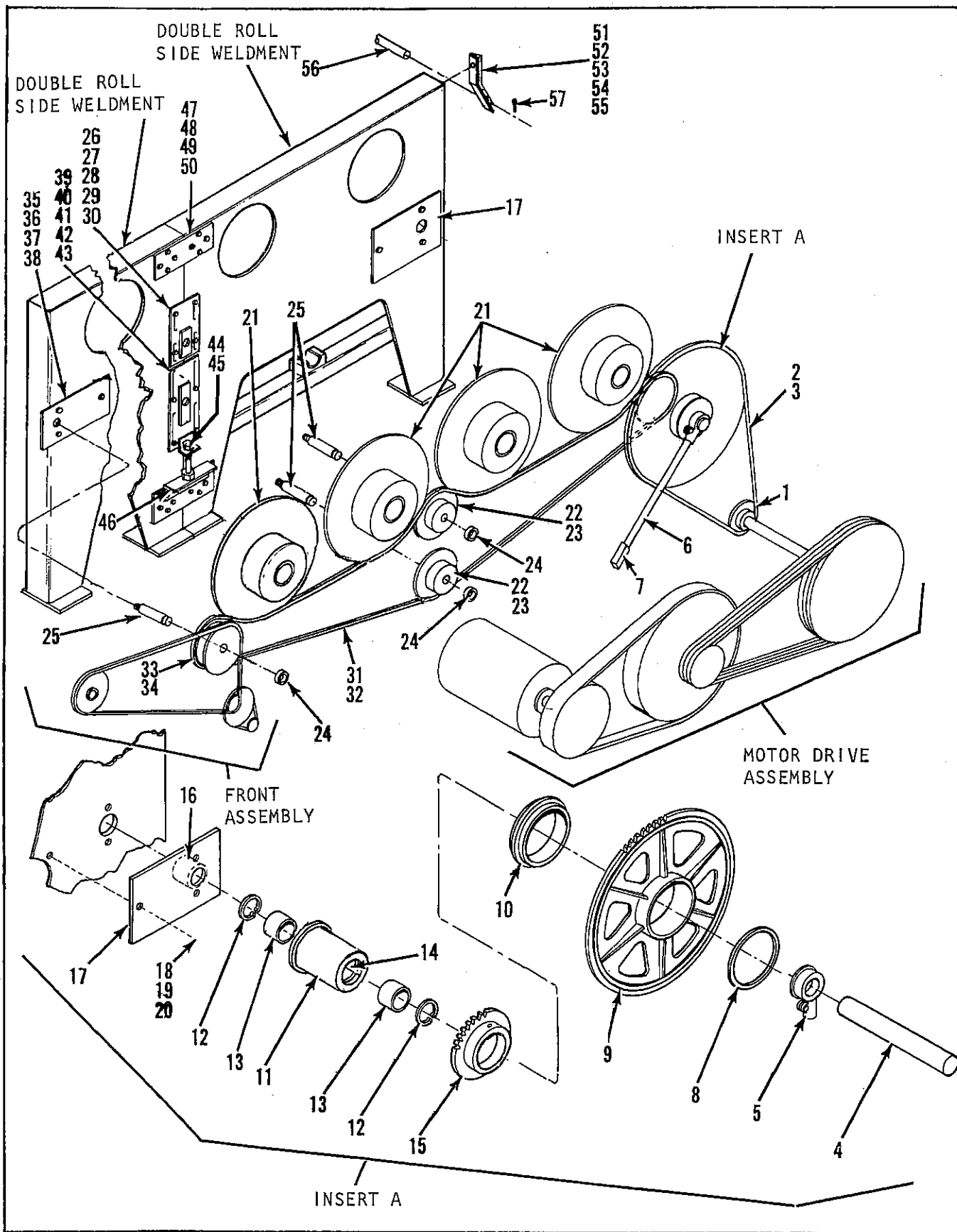


Figure 6-6. Four Roll Drive and Connecting Frame

PRODUCT CODE 152

ITEM NO.	PART NO.	DESCRIPTION							MFRS. CODE	UNITS PER ASSY	
		1	2	3	4	5	6	7			
	160-0624	ADDITIONAL PARTS REQUIRED FOR 4-ROLL DRIVE AND CONNECTING FRAME									
-1		SPROCKET, drive								ref	
-2	M-92083	CHAIN, 1-1/4 in. pitch roller (100)								a/r	
-3	C-42588	LINK, chain connect (100)								1	
-4	160-68	TUD, main drive								1	
-5	T41-107	COLLAR, strut								1	
-6	T41-627	STRUT								1	
-7	160-692	STRUT END								1	
-8	160-158	WASHER, thrust								1	
-9	T41-4126	SPROCKET, main drive								1	
-10	T41-6784	SPACER, drive								1	
-11	160-061	HUB ASSY, main drive								1	
-12	C-58986	RING, retaining							60399	2	
-13	C-16043	BEARING, roller (HJ-445628)								2	
-14	160-128	SPACER								1	
-15	160-042	SPROCKET, chain drive								1	
-16	C-62320	SCREW, 1/2-13 x 3/4 in. lg set								1	
-17	160-0111	PLATE, jack shaft base (ATTACHING PARTS)								1	
-18	C-62164	SCREW, 5/8-11 x 2-1/4 in. lg hex. hd								3	
-19	C-43320	LOCKWASHER, 1/2 in. cad. pl								3	
-20	C-48202	NUT, 5/8-11 cad. pl hex. - - - * - - -								3	
-21	160-041	SPROCKET (For breakdown see fig. 11.)								ref	
-22	160-043	IDLER SPROCKET ASSY								2	
-23	C-14673	BEARING (MR-24-N)								92563	2
-24	C-22276	COLLAR, 1-1/2 in. set									3
-25	160-611	SHAFT, right hand thread idler									3
-26	160-0107	BRACKET, short idler mounting (ATTACHING PARTS)									1
-27	C-62433	SCREW, 1/2-13 x 1-1/2 in. lg hex. hd									4
-28	C-80516	WASHER, 1/2 in.									4
-29	C-43330	LOCKWASHER, 1/2 in. cad. pl							4		
-30	1022045	NUT (74-11-150-13) - - - * - - -							4		
-31	M-92096	CHAIN, 1-1/2 in. pitch roller (120)							a/r		
-32	1007400	LINK, chain connecting (120)							1		
-33	160-045	SPROCKET, feed end							1		
-34	C-14673	BEARING (MR-24-N)							92563	2	
-35	160-0112	BRACKET, 1st idler feed end (ATTACHING PARTS)								1	
-36	C-62502	SCREW, 5/8-11 x 1-1/2 in. cad. pl hex. hd							3		
-37	C-43320	LOCKWASHER, 5/8 in.							3		
-38	C-48202	NUT, 5/8-11 cad. pl hex. - - - * - - -							3		
-39	160-0110	BRACKET, long idler mounting							1		

ITEM NO.	PART NO.	DESCRIPTION							MFRS. CODE	UNITS PER ASSY
		1	2	3	4	5	6	7		
		(ATTACHING PARTS)								
-40	C-62433	SCREW, 1/2-13 x 1-1/2 in. lg hex. hd								4
-41	C-80516	WASHER, 1/2 in.								4
-42	C-43330	LOCKWASHER, 1/2 in. cad. pl								4
-43	1022045	NUT (74-11-150-13)								4
		- - - * - - -								
-44	1022052	SCREW, 5/8-11 x 9 in. lg								1
-45	C-48202	NUT, 5/8-11 cad. pl hex.								
-46	160-142	ANGLE, adjusting								1
-47	160-127	PLATE, tie								4
		(ATTACHING PARTS)								
-48	C-62502	SCREW, 5/8-11 x 1-1/2 in. cad. pl hex. hd								16
-49	C-43320	LOCKWASHER, 5/8 in. cad. pl								16
-50	C-48202	NUT, 5/8-11 cad. pl hex.								16
		- - - * - - -								
-51	141-179	BRACKET, rear tape								2
		(ATTACHING PARTS)								
-52	1003177	SCREW, 1/2-13 x 2-1/4 in. lg hex. hd								2
-53	C-80760	WASHER, 9/16 in. id								2
-54	C-43361	LOCKWASHER, 9/16 in. id								2
-55	1000843	NUT, 1/2-13 hex.								2
		- - - * - - -								
-56	141-022	BAR								1
-57	C-54536	PIN, 1/8 in. dia x 2 in. lg cotter								2

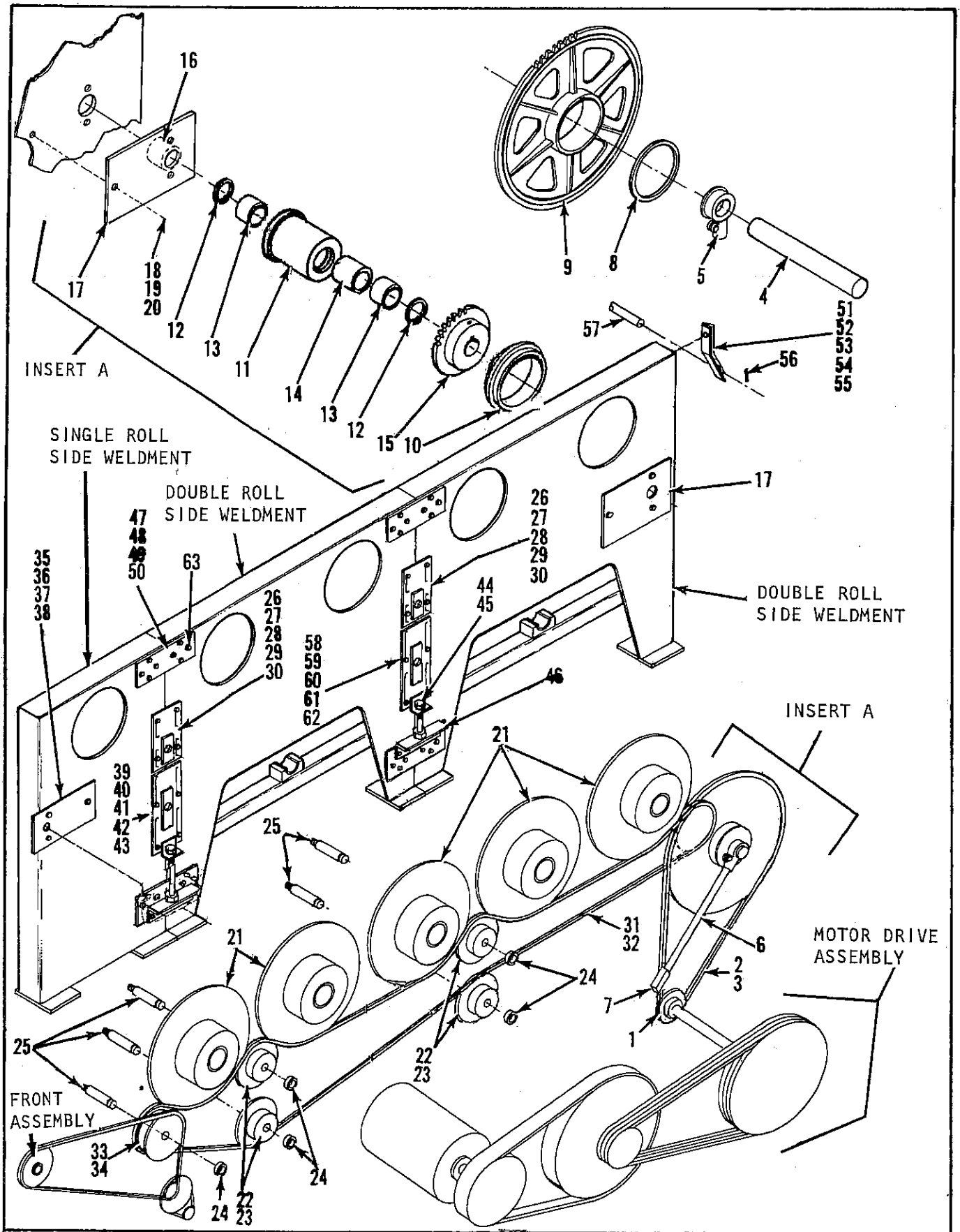


Figure 6-7. Five Roll Drive and Connecting Frame

ITEM NO.	PART NO.	DESCRIPTION							MFRS. CODE	UNITS PER ASSY
		1	2	3	4	5	6	7		
	160-0625	ADDITIONAL PARTS REQUIRED FOR 5-ROLL DRIVE AND CONNECTING FRAME								
-1		SPROCKET, drive								ref
-2	M-92083	CHAIN, 1-1/4 in. pitch roller (100)								a/r
-3	C-42588	LINK, chain connect (100)								1
-4	160-68	STUD, main drive								1
-5	141-107	COLLAR, strut								1
-6	141-627	STRUT								1
-7	160-692	STRUT END								1
-8	160-158	WASHER, thrust								1
-9	141-4126	SPROCKET, main drive								1
-10	141-6784	SPACER, drive								1
-11	160-061	HUB ASSY, main drive								1
-12	C-58986	RING, retaining								2
-13	C-16043	BEARING, roller (HJ-445628)							60399	2
-14	160-128	SPACER								1
-15	160-042	SPROCKET, chain drive								1
-16	C-62320	SCREW, 1/2-13 x 3/4 in. lg set								1
-17	160-0111	PLATE, jack shaft base (ATTACHING PARTS)								1
-18	C-62164	SCREW, 5/8-11 x 2-1/4 in. lg hex.hd								3
-19	C-43320	LOCKWASHER, 1/2 in. cad.pl								3
-20	C-48202	NUT, 5/8-11 cad. pl hex. - - - * - - -								3
-21	160-041	SPROCKET (For breakdown see fig.11.)								ref
-22	160-043	IDLER SPROCKET ASSY								4
-23	C-14673	BEARING (MR-24-N)							92563	4
-24	C-22276	COLLAR, 1-1/2 in. set								5
-25	160-612	SHAFT, left hand thread idler								5
-26	160-0107	BRACKET, short idler mounting (ATTACHING PARTS)								2
-27	C-62433	SCREW, 1/2-13 x 1-1/2 in. lg hex.hd								8
-28	C-80516	WASHER, 1/2 in.								8
-29	C-43330	LOCKWASHER, 1/2 in. cad. pl								8
-30	10-2045	NUT (74-11-150-13) - - - * - - -								8
-31	M-92096	CHAIN, 1-1/2 in. pitch roller (120)								a/r
-32	1007400	LINK, chain connecting (120)								1
-33	160-045	SPROCKET, feed end								1
-34	C-14673	BEARING (MR-24-N)							92563	2
-35	160-0112	BRACKET, 1st idler feed end (ATTACHING PARTS)								1
-36	C-62502	SCREW, 5/8-11 x 1-1/2 in. cad. pl hex. hd								3
-37	C-43320	LOCKWASHER, 5/8 in.								3
-38	C-48202	NUT, 5/8-11 cad. pl hex. - - - * - - -								3
-39	160-0110	BRACKET, long idler mounting								2

PRODUCT CODE 152

ITEM NO.	PART NO.	DESCRIPTION							MFRS. CODE	UNITS PER ASSY
		1	2	3	4	5	6	7		
		(ATTACHING PARTS)								
-40	C-62433	SCREW, 1/2-13 x 1-1/2 in. lg hex. hd								4
-41	C-80516	WASHER, 1/2 in.								4
-42	C-43330	LOCKWASHER, 1/2 in. cad. pl								4
-43	1022045	NUT (74-11-150-13)								4
		- - - * - - -								
-44	1022052	SCREW, 5/8-11 x 9 in. lg								1
-45	C-48202	NUT, 5/8-11 cad. pl hex.								1
-46	160-142	ANGLE, adjusting								1
-47	160-127	PLATE, tie								4
		(ATTACHING PARTS)								
-48	C-62502	SCREW, 5/8-11 x 1-1/2 in. cad. pl hex. hd								16
-49	C-43320	LOCKWASHER, 5/8 in. cad. pl								16
-50	C-48202	NUT, 5/8-11 cad. pl hex.								16
		- - - * - - -								
-51	141-179	BRACKET, rear tape								2
		(ATTACHING PARTS)								
-52	1003177	SCREW, 1/2-13 x 2-1/4 in. lg hex. hd								2
-53	C-80760	WASHER, 9/16 in. id								2
-54	C-43361	LOCKWASHER, 9/16 in. id								2
-55	1000843	NUT, 1/2-13 hex.								2
		- - - * - - -								
-56	141-022	BAR								1
-57	C-54536	PIN, 1/8 in. dia x 2 in. lg cotter								2

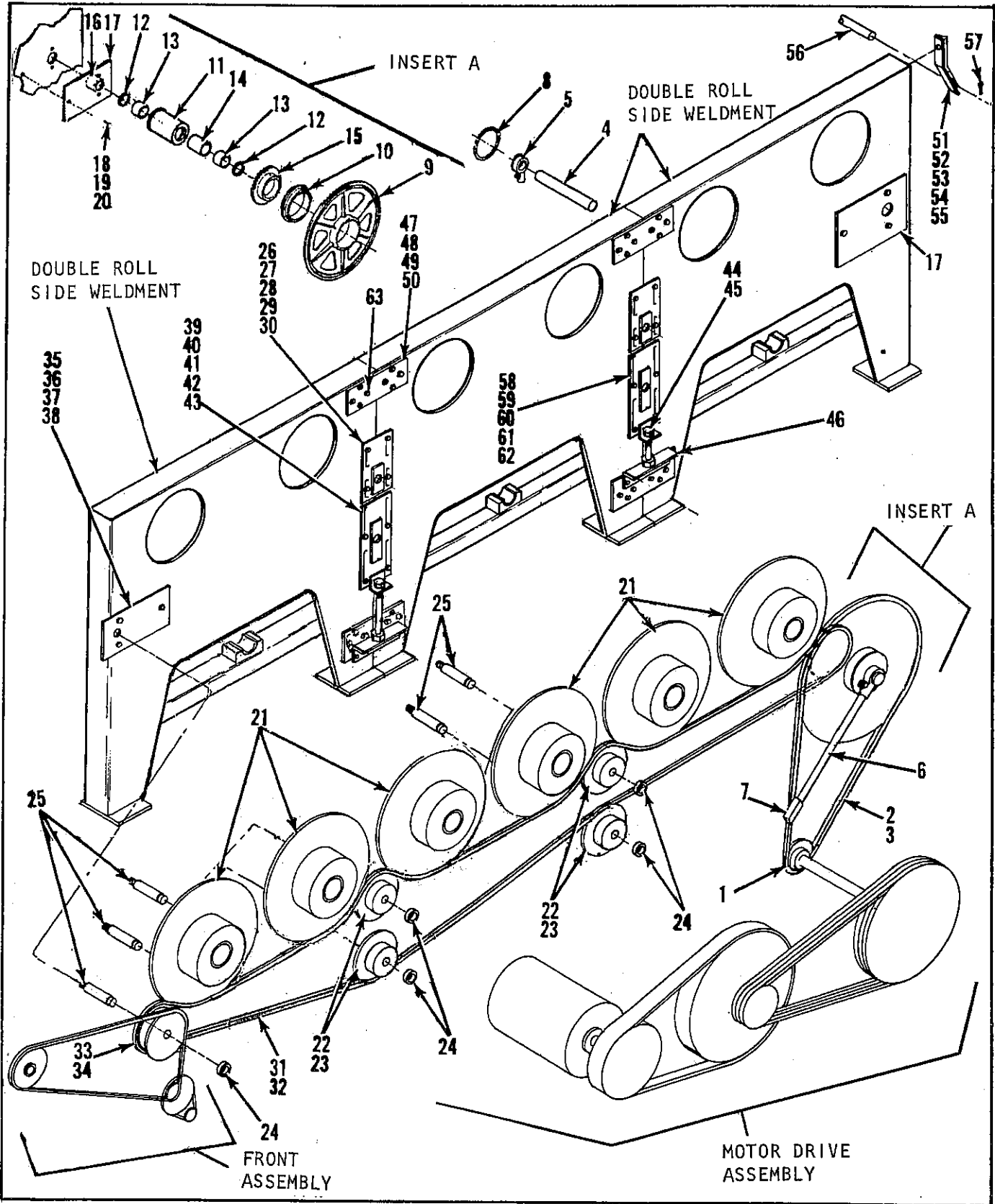


Figure 6-8. Six Roll Drive and Connecting Frame

PRODUCT CODE 152

ITEM NO.	PART NO.	DESCRIPTION							MFRS. CODE	UNITS PER ASSY
		1	2	3	4	5	6	7		
	160-0626	ADDITIONAL PARTS REQUIRED FOR 6-ROLL DRIVE AND CONNECTING FRAME								
-1		SPROCKET, drive								ref
-2	M-92083	CHAIN, 1-1/4 in. pitch roller (100)								a/r
-3	C-42588	LINK, chain connect (100)								1
-4	160-68	STUD, main drive								1
-5	141-107	COLLAR, strut								1
-6	141-627	STRUT								1
-7	160-692	STRUT END								1
-8	160-158	WASHER, thrust								1
-9	141-4126	SPROCKET, main drive								1
-10	141-6784	SPACER, drive								1
-11	160-061	HUB ASSY, main drive								1
-12	C-58986	RING, retaining								2
-13	C-16043	BEARING, roller (HJ-445628)							60399	2
-14	160-128	SPACER								1
-15	160-042	SPROCKET, chain drive								1
-16	C-62320	SCREW, 1/2-13 x 3/4 in. lg set								1
-17	160-0111	PLATE, jack shaft base (ATTACHING PARTS)								1
-18	C-62164	SCREW, 5/8-11 x 2-1/4 in. lg hex. hd								3
-19	C-43320	LOCKWASHER, 1/2 in. cad. pl								3
-20	C-48202	NUT, 5/8-11 cad. pl hex. - - - * - - -								3
-21	160-041	SPROCKET (For breakdown see fig.11.)								ref
-22	160-043	IDLER SPROCKET ASSY								4
-23	C-14673	BEARING (MR-24-N)							92563	4
-24	C-22276	COLLAR, 1-1/2 in. set								5
-25	160-612	SHAFT, left hand thread idler								5
-26	160-0107	BRACKET, snort idler mounting (ATTACHING PARTS)								2
-27	C-62433	SCREW, 1/2-13 x 1-1/2 in. lg hex. hd								8
-28	C-80516	WASHER, 1/2 in.								8
-29	C-43330	LOCKWASHER, 1/2 in. cad. pl								8
-30	1022045	NUT (74-11-150-13) - - - * - - -								8
-31	M-92096	CHAIN, 1-1/2 in. pitch roller (120)								a/r
-32	1007400	LINK, chain connecting (120)								1
-33	160-045	SPROCKET, feed end								1
-34	C-14673	BEARING (MR-24-N)							92563	2
-35	160-0112	BRACKET, 1st idler feed end (ATTACHING PARTS)								1
-36	C-62502	SCREW, 5/8-11 x 1-1/2 in. cad. pl hex. hd								3
-37	C-43320	LOCKWASHER, 5/8 in.								3
-38	C-48202	NUT, 5/8-11 cad. pl hex. - - - * - - -								3
-39	160-0110	BRACKET, long idler mounting								1

PRODUCT CODE 152

ITEM NO.	PART NO.	DESCRIPTION							MFRS. CODE	UNITS PER ASSY
		1	2	3	4	5	6	7		
		(ATTACHING PARTS)								
-40	C-62433	SCREW, 1/2-13 x 1-1/2 in. lg hex.hd								4
-41	C-80516	WASHER, 1/2 in.								4
-42	C-43330	LOCKWASHER, 1/2 in. cad. pl								4
-43	1022045	NUT (74-11-150-13)								4
		- - - * - - -								
-44	1022052	SCREW, 5/8-11 x 9 in. lg								2
-45	C-48202	NUT, 5/8-11 cad. pl hex.								
-46	160-142	ANGLE, adjusting								2
-47	160-127	PLATE, tie								8
		(ATTACHING PARTS)								
-48	C-62502	SCREW, 5/8-11 x 1-1/2 in. cad. pl hex. hd								32
-49	C-43320	LOCKWASHER, 5/8 in. cad. pl								32
-50	C-48202	NUT, 5/8-11 cad. pl hex.								32
		- - - * - - -								
-51	141-179	BRACKET, rear tape								2
		(ATTACHING PARTS)								
-52	1003177	SCREW, 1/2-13 x 2-1/4 in. lg hex.hd								2
-53	C-80760	WASHER, 9/16 in. id								2
-54	C-43361	LOCKWASHER, 9/16 in. id								2
-55	1000843	NUT, 1/2-13 hex.								2
		- - - * - - -								
-56	141-022	BAR								1
-57	C-54536	PIN, 1/8in. dia x 2in. lg cotter								2
-58	160-0113	BRACKET, long left hand thread idler mounting								1
		(ATTACHING PARTS)								
-59	C-62433	SCREW, 1/2-13 x 1-1/2 in. lg hex.hd								4
-60	C-80516	WASHER, 1/2 in.								4
-61	C-43330	LOCKWASHER, 1/2 in. cad. pl								4
-62	1022045	NUT (74-11-150-13)								4
-63	C-54939	PIN, 1/2in.dia x 1-3/4 in.lg								32

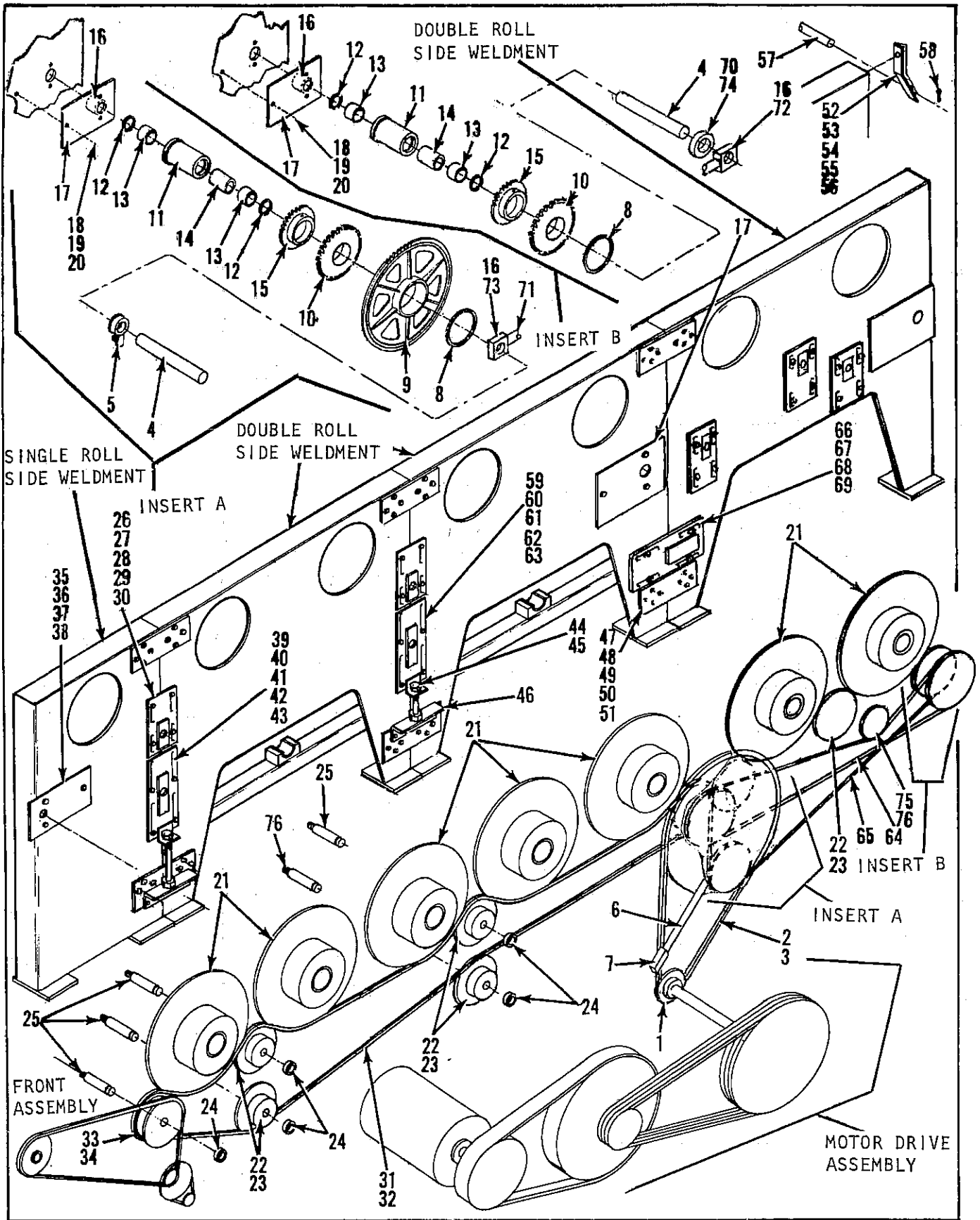


Figure 6-9. Seven Roll Drive and Connecting Frame

PRODUCT CODE 152

ITEM NO.	PART NO.	DESCRIPTION							MFRS. CODE	UNITS PER ASSY
		1	2	3	4	5	6	7		
	160-0627	ADDITIONAL PARTS REQUIRED FOR 7-ROLL DRIVE AND CONNECTING FRAME								
-1	REF	SPROCKET, drive								ref
-2	M-92083	CHAIN, 1-1/4 in. pitch roller (100)								a/r
-3	C-42588	LINK, chain connect (100)								1
-4	160-68	STUD, main drive								2
-5	141-107	COLLAR, strut								1
-6	141-627	STRUT								1
-7	160-692	STRUT END								1
-8	160-158	WASHER, thrust								4
-9	141-4126	SPROCKET, main drive								1
-10	160-047	SPROCKET, outside drive no. 80 chain								2
-11	160-061	HUB ASSY, main drive								2
-12	C-58986	RING, retaining								4
-13	C-16043	BEARING, roller (HJ-445628)							60399	4
-14	160-128	SPACER								2
-15	160-042	SPROCKET, chain drive								2
-16	C-62320	SCREW, 1/2-13 x 3/4 in. lg set								6
-17	160-0111	PLATE, jack shaft base (ATTACHING PARTS)								2
-18	C-62164	SCREW, 5/8-11 x 2-1/4 in. lg hex.hd								6
-19	C-43320	LOCKWASHER, 1/2 in. cad. pl								6
-20	C-48202	NUT, 5/8-11 cad. pl hex.								6
		- - - * - - -								
-21	160-041	SPROCKET (For breakdown see fig.11.)								ref
-22	160-043	IDLER SPROCKET ASSY								7
-23	C-14673	BEARING (MR-24-N)							92563	7
-24	C-22276	COLLAR, 1-1/2 in. set								9
-25	160-611	SHAFT, right hand thread idler								7
-26	160-0107	BRACKET, short idler mounting (ATTACHING PARTS)								5
-27	C-62433	SCREW, 1/2-13 x 1-1/2 in. lg hex.hd								20
-28	C-80516	WASHER, 1/2 in.								20
-29	C-43330	LOCKWASHER, 1/2 in. cad. pl								20
-30	10-2045	NUT (74-11-150-13)								20
		- - - * - - -								
-31	M-92096	CHAIN, 1-1/2 in. pitch roller (120)								a/r
-32	1007400	LINK, chain connecting (120)								2
-33	160-045	SPROCKET, feed end								1
-34	C-14673	BEARING (MR-24-N)							92563	2
-35	160-0112	BRACKET, 1st idler feed end (ATTACHING PARTS)								1
-36	C-62502	SCREW, 5/8-11 x 1-1/2 in. cad. pl h hex. hd								3
-37	C-43320	LOCKWASHER, 5/8 in.								3
-38	C-48202	NUT, 5/8-11 cad. pl hex.								3
		- - - * - - -								
-39	160-0110	BRACKET, long idler mounting								1

PRODUCT CODE 152

ITEM NO.	PART NO.	DESCRIPTION							MFRS. CODE	UNITS PER ASSY
		1	2	3	4	5	6	7		
		(ATTACHING PARTS)								
-40	C-62433	SCREW, 1/2-13 x 1-1/2in. lg hex.hd								4
-41	C-80516	WASHER, 1/2 in.								4
-42	C-43330	LOCKWASHER, 1/2 in. cad. pl								4
-43	1022045	NUT (74-11-150-13)								4
		- - - * - - -								
-44	1022052	SCREW, 5/8-11 x 9 in. lg								2
-45	C-48202	NUT, 5/--11 cad. pl hex.								
-46	160-142	ANGLE, adjusting								2
-47	160-127	PLATE, tie								8
		(ATTACHING PARTS)								
-48	C-62502	SCREW, 5/8-11 x 1-1/2 in. cad. pl hex. hd								32
-49	C-43320	LOCKWASHER, 5/8 in. cad. pl								32
-50	C-48202	NUT, 5/8-11 cad. pl hex.								32
		- - - * - - -								
-51	141-179	BRACKET, rear tape								2
		(ATTACHING PARTS)								
-52	1003177	SCREW, 1/2-13 x 2-1/4in.lg hex. hd								2
-53	C-80760	WASHER, 9/16 in. id								2
-54	C-43361	LOCKWASHER, 9/16 in. id								2
-55	1000843	NUT, 1/2-13 hex.								2
		- - - * - - -								
-56	141-022	BAR								1
-57	C-54536	PIN, 1/8in.dia x 2in.lg cotter								2
-58	160-0113	BRACKET, long left hand thread idler mounting								1
		(ATTACHING PARTS)								
-59	C-62433	SCREW, 1/2-13 x 1-1/2in.lg hex.hd								4
-60	C-80516	WASHER, 1/2 in.								4
-61	C-43330	LOCKWASHER, 1/2in. cad. pl								4
-62	1022045	NUT (74-11-150-13)								4
-63	C-54939	PIN,1/2in.dia x 1-3/4 in.lg								32

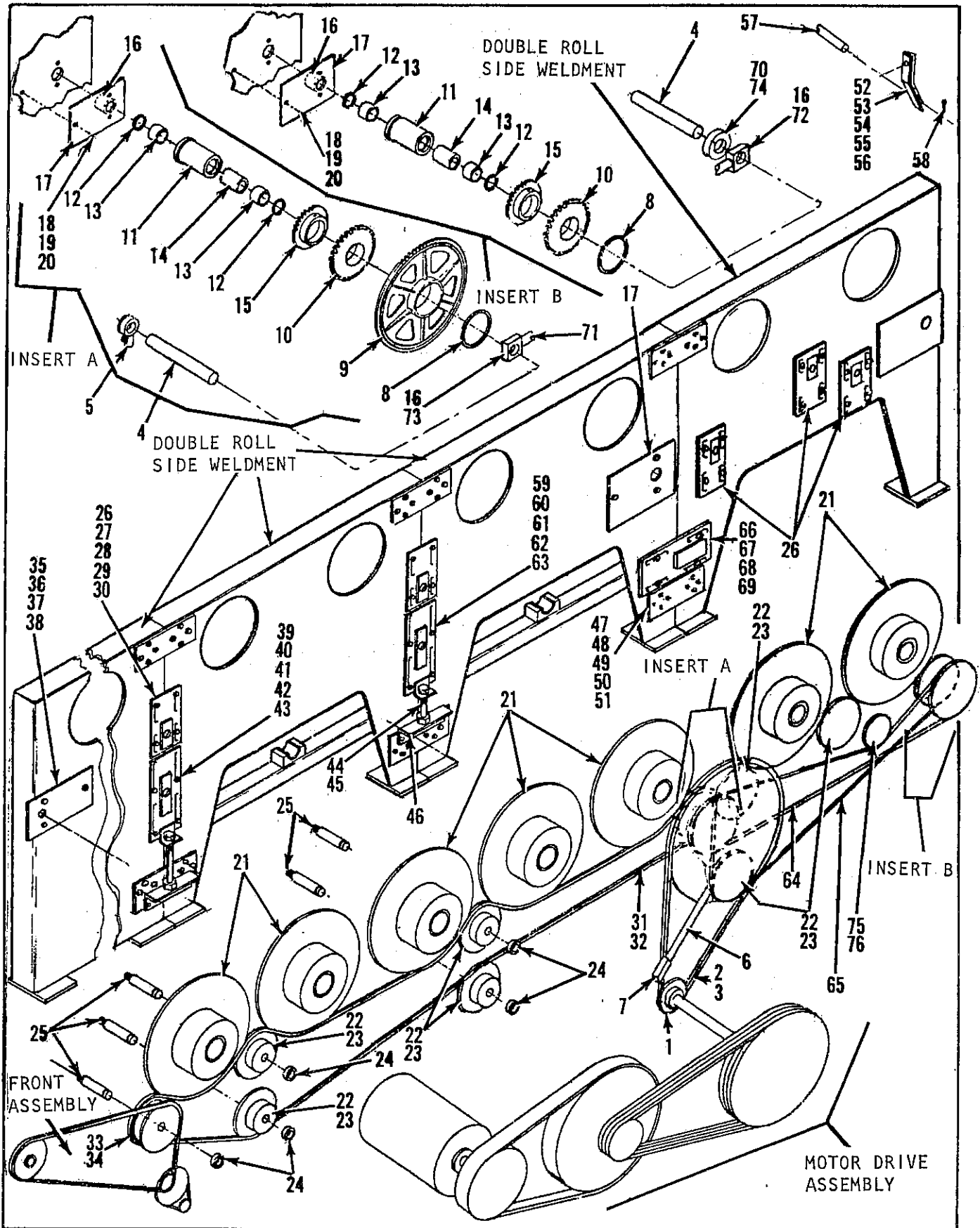


Figure 6-10. Eight Roll Drive and Connecting Frame

PRODUCT CODE 152

ITEM NO.	PART NO.	DESCRIPTION							MFRS. CODE	UNITS PER ASSY.
		1	2	3	4	5	6	7		
	160-0616	ADDITIONAL PARTS REQUIRED FOR 8-ROLL DRIVE AND CONNECTING FRAME								
-1	REF	SPROCKET, drive								ref
-2	M-92083	CHAIN, 1-1/4 in. pitch roller (100)								a/r
-3	C-42588	LINK, chain connect (100)								1
-4	160-68	STUD, main drive								2
-5	141-107	COLLAR, strut								1
-6	141-627	STRUT								1
-7	160-692	STRUT END								1
-8	160-158	WASHER, thrust								4
-9	141-4126	SPROCKET, main drive								1
-10	160-047	SPROCKET, outside drive no. 80 chain								2
-11	160-061	HUB ASSY, main drive								2
-12	C-58986	RING, retaining								4
-13	C-16043	BEARING, roller (HJ-445628)							60399	4
-14	160-128	SPACER								2
-15	160-042	SPROCKET, chain drive								2
-16	C-62320	SCREW, 1/2-13 x 3/4 in. 1g set								6
-17	160-0111	PLATE, jack shaft base (ATTACHING PARTS)								2
-18	C-62164	SCREW, 5/8-11 x 2-1/4 in. 1g hex.hd								6
-19	C-43320	LOCKWASHER, 1/2 in. cad. pl								6
-20	C-48202	NUT, 5/8-11 cad. pl hex. - - - * - - -								6
-21	160-041	SPROCKET (For breakdown see fig.11.)								ref
-22	160-043	IDLER SPROCKET ASSY								7
-23	C-14673	BEARING (MR-24-N)							92563	7
-24	C-22276	COLLAR, 1-1/2 in. set								9
-25	160-611	SHAFT, right hand thread idler								7
-26	160-0107	BRACKET, short idler mounting (ATTACHING PARTS)								5
-27	C-62433	SCREW, 1/2-13 x 1-1/2 in. 1g hex.hd								20
-28	C-80516	WASHER, 1/2 in.								20
-29	C-43330	LOCKWASHER, 1/2 in. cad. pl								20
-30	10-2045	NUT (74-11-150-13) - - - * - - -								20
-31	M-92096	CHAIN, 1-1/2 in. pitch roller (120)								a/r
-32	1007400	LINK, chain connecting (120)								2
-33	160-045	SPROCKET, feed end								1
-34	C-14773	BEARING (MR-24-N)							92563	2
-35	160-0112	BRACKET, 1st idler feed end (ATTACHING PARTS)								1
-36	C-62502	SCREW, 5/8-11 x 1-1/2 in. cad. pl hex. hd								3
-37	C-43320	LOCKWASHER, 5/8 in.								3
-38	C-48202	NUT, 5/8-11 cad. pl hex. - - - * - - -								3
-39	160-0110	BRACKET, long idler mounting								1

ITEM NO.	PART NO.	DESCRIPTION							MFRS. CODE	UNITS PER ASSY
		1	2	3	4	5	6	7		
		(ATTACHING PARTS)								
-40	C-62433	SCREW, 1/2-13 x 1-1/2 in. lg hex.hd								4
-41	C-80516	WASHER, 1/2 in.								4
-42	C-43330	LOCKWASHER, 1/2 in. cad. pl								4
-43	1022045	NUT (74-11-150-13)								4
		- - - * - - -								
-44	1022052	SCREW, 5/8-11 x 9 in. lg								2
-45	C-48202	NUT, 5/8-11 cad. pl hex.								2
-46	160-142	ANGLE, adjusting								2
-47	160-127	PLATE, tie								12
		(ATTACHING PARTS)								
-48	C-62502	SCREW, 5/8-11 x 1-1/2 in. cad. pl hex. hd								48
-49	C-43320	LOCKWASHER, 5/8 in. cad. pl								48
-50	C-48202	NUT, 5/8-11 cad. pl hex.								48
-51	C-54939	PIN, 1/2 in. dia x 1-3/4 in. lg								48
		- - - * - - -								
-52	141-179	BRACKET, rear tape								2
		(ATTACHING PARTS)								
-53	1003177	SCREW, 1/2-13 x 1-1/4 in. lg hex.hd								2
-54	C-80760	WASHER, 9/16 in. id								2
-55	C-43361	LOCKWASHER, 9/16 in. id								2
-56	1000843	NUT, 1/2-13 hex.								2
		- - - * - - -								
-57	141-022	BAR								1
-58	C-54536	PIN, 1/8 in. dia x 2 in. lg cotter								2
-59	160-0113	BRACKET, long left hand thread idler mounting								1
		(ATTACHING PARTS)								
-60	C-62433	SCREW, 1/2-13 x 1-1/2 in. lg hex.hd								4
-61	C-80516	WASHER, 1/2 in.								4
-62	C-43330	LOCKWASHER, 1/2 in. cad. pl								4
-63	1022045	NUT (74-11-150-13)								4
-64	M-92096	CHAIN, 1-1/2 in. pitch roller (120)								a/r
-65	M-92064	CHAIN, 1 in. pitch roller (80)								a/r
-66	160-0135	BRACKET, mounting								1
		(ATTACHING PARTS)								
-67	C-62433	SCREW, 1/2-13 x 1-1/2 in. lg hex.hd								4
-68	C-43330	LOCKWASHER, 1/2 in. cad. pl								4
-69	1022045	NUT (74-11-150-13)								4
		- - - * - - -								
-70	160-184	SPACER								1
-71	160-6026	STRUT								1
-72	160-0132	STRUT END								1
-73	160-0133	STRUT END								1
-74	1023795	SCREW, 5/16-18 x 5/8 in. set								1
-75	160-046	SPROCKET, outside drive chain (80)								a/r
-76	160-612	SHAFT, left hand thread idler								2

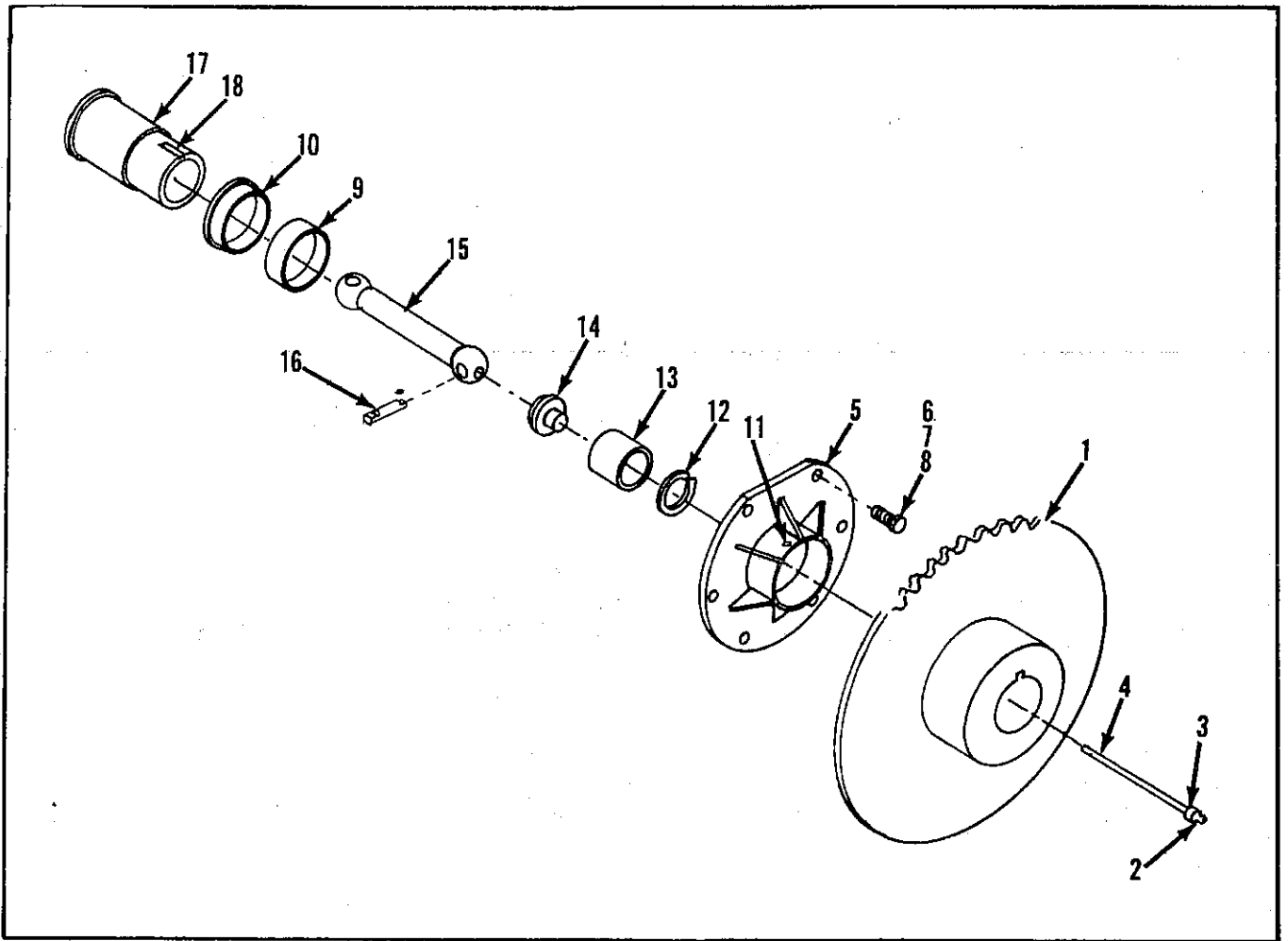


Figure 6-11. Basic Double Roll Module Sprocket, Main Bearing Housing Assembly, and Universal Drive Shaft

PRODUCT CODE 152

ITEM NO.	PART NO.	DESCRIPTION							MFRS. CODE	UNITS PER ASSY
		1	2	3	4	5	6	7		
--		BASIC DOUBLE ROLL MODULE SPROCKET, MAIN BEARING HOUSING ASSEMBLY, UNIVERSAL DRIVE SHAFT								
-1	160-041	SPROCKET								2
-2	C-30825	FITTING, grease								2
-3	C-23130	COUPLING, 1/8 in. npt								2
-4	C-46105	NIPPLE, 1/8 in. npt x 9 in.lg								2
-5	141-010	BEARING HOUSING ASSEMBLY (ATTACHING PARTS)								2
-6	1003094	SCREW, 1/2-13 x 1-1/4 in.lg hex.hd								12
-7	1022045	INSERT, sheet metal								12
-8	1001098	LOCKWASHER, 1/2 in. - - - * - - -								12
-9	141-15	BUSHING, outside								2
-10	141-16	BUSHING, inside								2
-11	C-62001	SCREW, 1/4-20 x 1/4 in.lg set								4
-12	C-59014	RING, retaining (5000-334)							79136	4
-13	141-13	SPACER								2
-14	141-1751	PLATE								2
-15	160-11	SHAFT, universal drive								2
-16	141-634	PIN, universal drive								2
-17	141-0670	SLEEVE, drive								2
-18	30-6022	KEY, drive sprocket								2

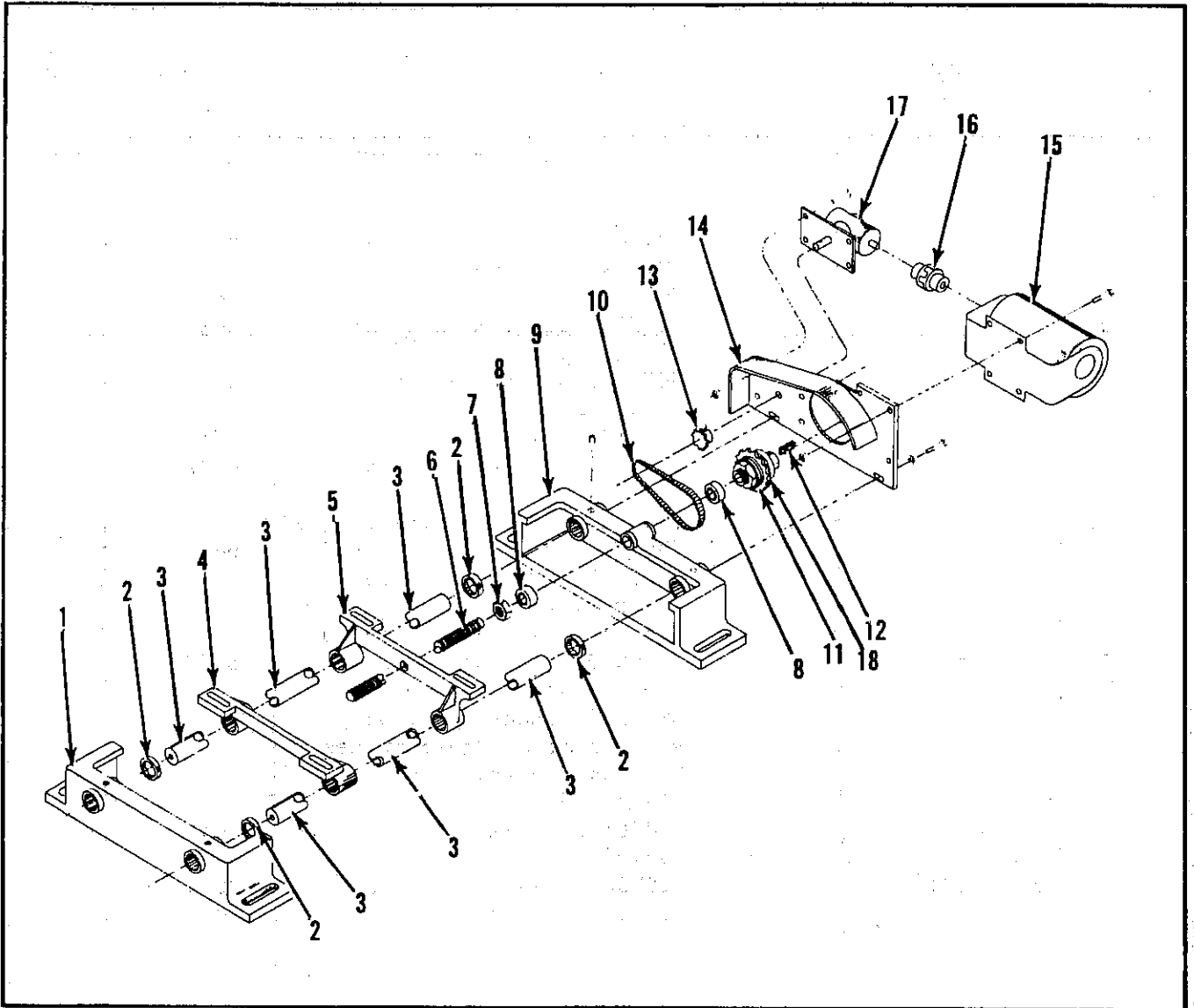


Figure 6-12. Adjustable Motor Base (3BH5-ERC)

PRODUCT CODE 152

ITEM NO.	PART NO.	DESCRIPTION							MFRS. CODE	UNITS PER ASSY		
		1	2	3	4	5	6	7				
--										BASE, adjustable motor(3BH5-ERC)		ref
-1.									96432	SUPPORT,back bar(14604) w/ setscrews		1
-2									96432	COLLAR, slide rod 1-1/4 in.		4
-3									96432	ROD, slide (14619)		2
-4									96432	MOUNT, plain motor (14606)		1
-5									96432	MOUNT, tapped motor(14607)		1
-6										SCREW,adjustment (14639)		
-7									96432	NUT, adjustment hex.hd jam w/ setscrew		1
-8									43766	BEARING, thrust (605)		2
-9									96432	SUPPORT, front bar (14602) w/ setscrews		1
-10										CHAIN, roller 1 ft.6in.lg(41)		1
-11									96432	TORQUE LIMITER(250-1 x 5/8 bore (For breakdown see figure 14.)		1
-12										KEY, 3/16 sq x 1-7/16in.lg		1
-13	C-33281								96432	SPROCKET,11 tooth w/ hub (14218) and setscrew		1
-14									96432	BRACKET, mounting (14622)		1
-15										MOTOR,control 3ph/60Hz(See Machine Electrical Parts Figure 25.)		
-16	C-23471								96432	COUPLING, flexible 1/2 x 1/2 (G-100)		
-17	X-100038								00013	REDUCER, gear 1-1/2 ATD		
-18									96432	SPROCKET,plate(14219)		1

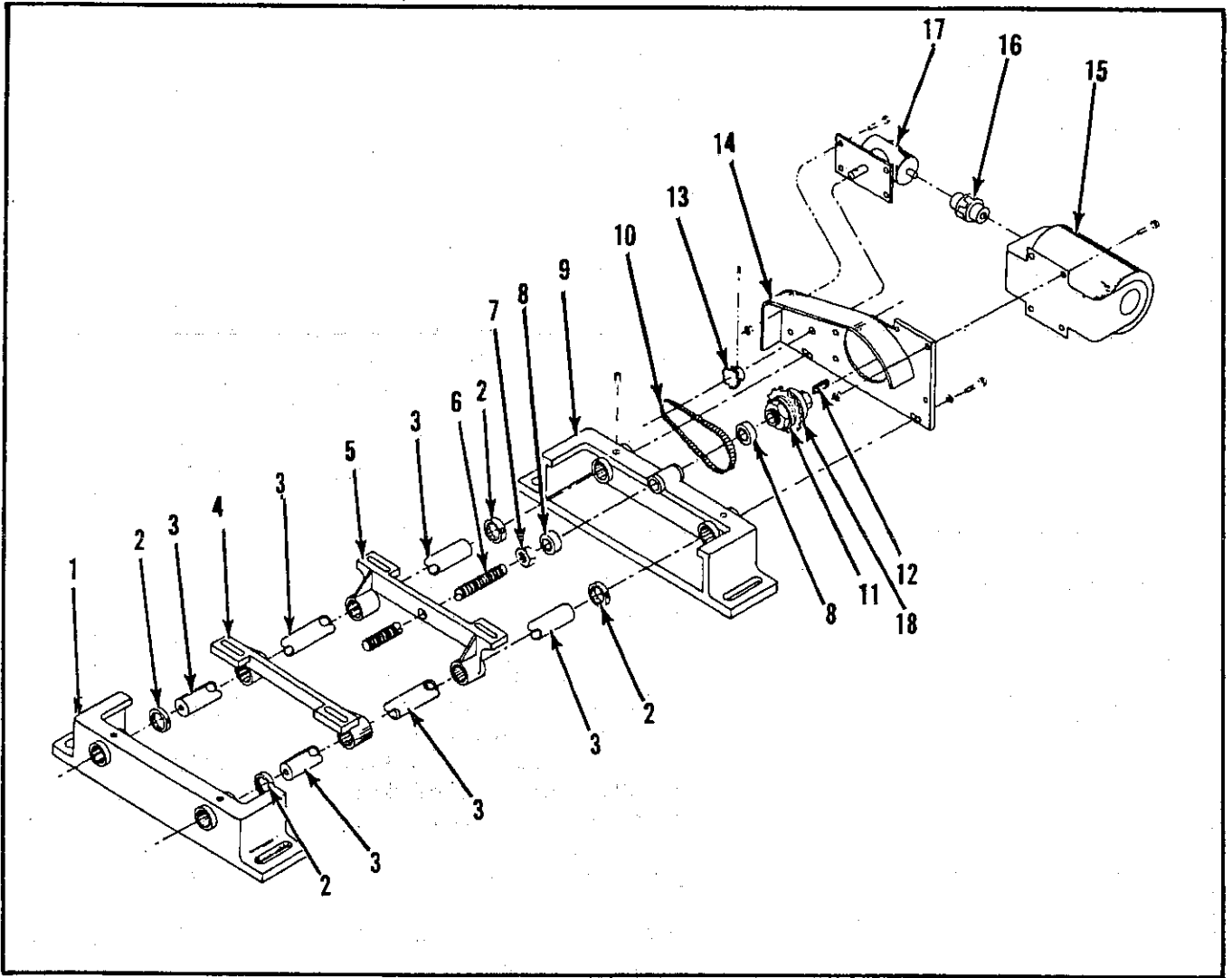


Figure 6-13. Adjustable Motor Base (4BH5-ERC)

PRODUCT CODE 152

ITEM NO.	PART NO.	DESCRIPTION							MFRS. CODE	UNITS PER ASSY
		1	2	3	4	5	6	7		
--										ref
-1									96432	1
-2									96432	4
-3	C-65570								96432	2
-4	C-47970								96432	1
-5	C-47971								96432	1
-6	C-54971								96432	2
-7									96432	2
-8	C-13016								43766	2
-9									96432	1
-10	C-47972									1
-11	C-47977								96432	1
-12										1
-13	C-33281								96432	1
-14									96432	1
-15										1
-16	C-23471								96432	1
-17	X-100038								00013	
-18										

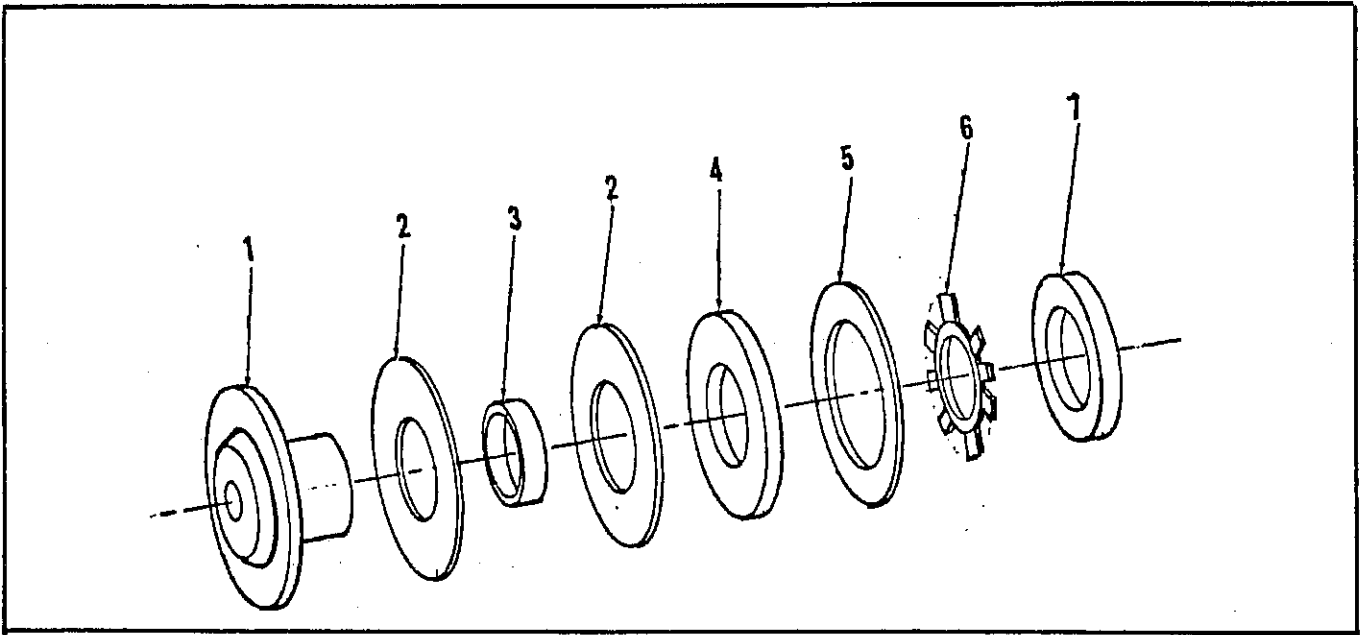


Figure 6-14. Torque Limitor

ITEM NO.	PART NO.	DESCRIPTION							MFRS. CODE	UNITS PER ASSY	
		1	2	3	4	5	6	7			
--	C-47977								TORQUE LIMITER (250-1 x 3/4 fore)		
-1									HUB, 3/4 bore	96432	1
-2									FACING, friction	96432	1
-3									BUSHING	96432	1
-4									PLATE, pressure	96432	1
-5									SPRING	96432	1
-6									LOCKWASHER, tab	96432	1
-7									NUT, adjusting	96432	1

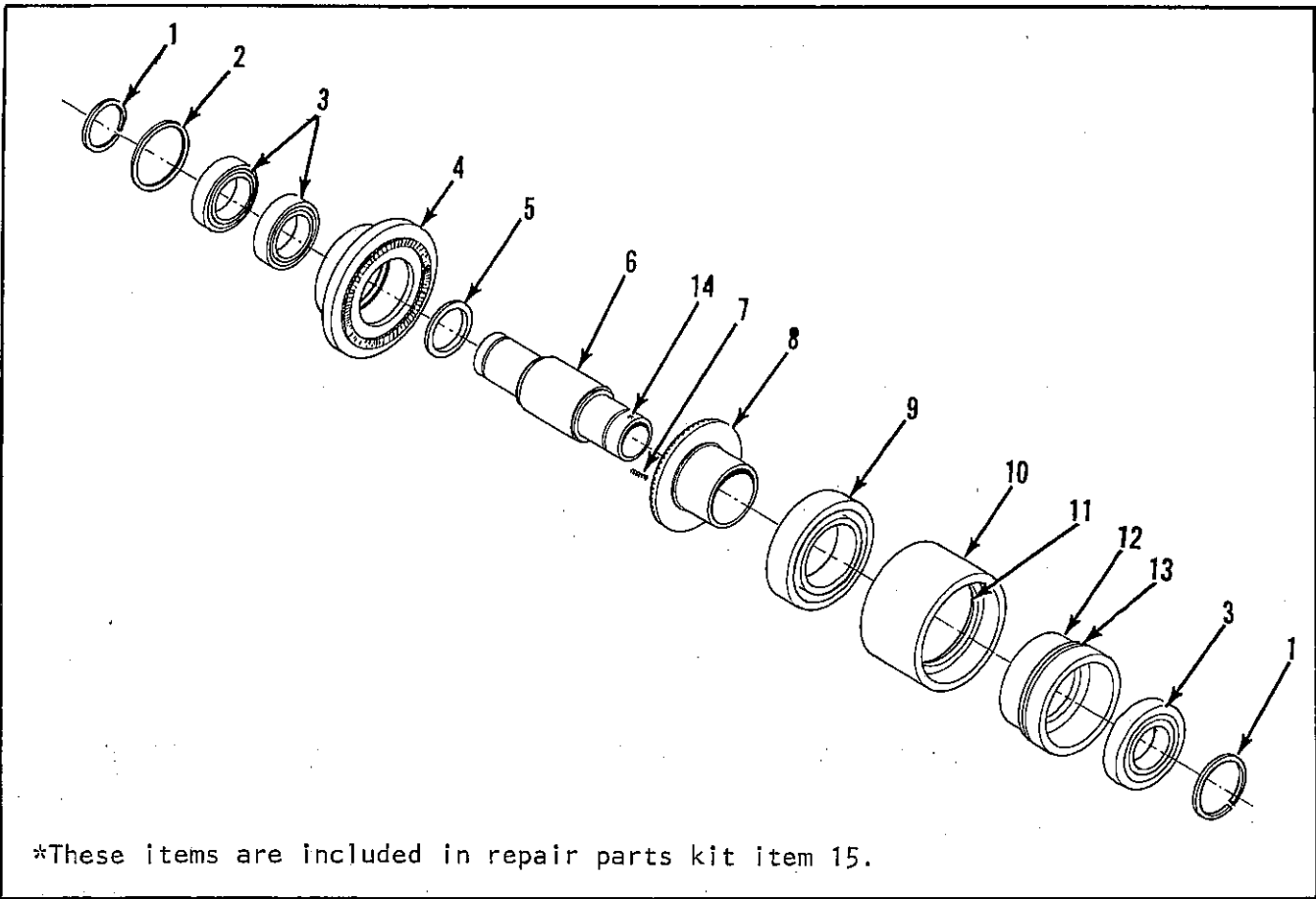


Figure 6-15. Clutch Assembly

ITEM NO.	PART NO.	DESCRIPTION							MFRS. CODE	UNITS PER ASSY
		1	2	3	4	5	6	7		
--	1005859								31875	
-1									31875	2
-2									31875	1
-3									31875	3
-4									31875	1
-5									31875	1
-6									31875	1
-7									31875	8
-8									31875	1
-9									31875	1
-10									31875	1
-11									31875	1
-12									31875	1
-13									31875	1
-14									31875	1
-15									31875	1
-16									31875	ref

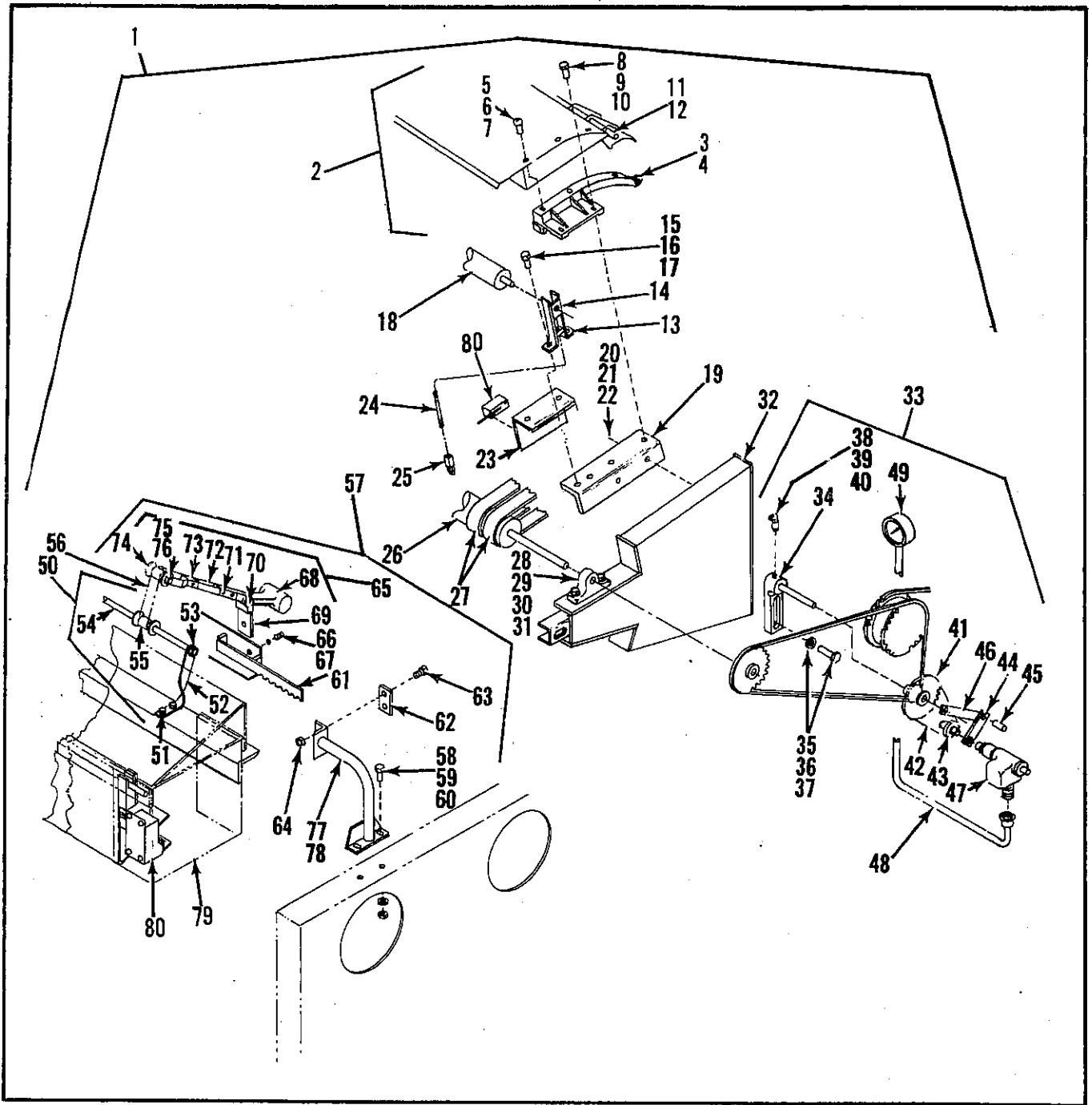


Figure 6-16. Front Assembly

PRODUCT CODE 152

ITEM NO.	PART NO.	DESCRIPTION							MFRS. CODE	UNITS PER ASSY
		1	2	3	4	5	6	7		
-1	160-A12	FRONT ASSY								ref
-2	160-0647	FEED TABLE ASSY								1
-3	141-1706	SUPPORT, rh table								1
-4	141-1707	SUPPORT, lh table (not shown) (ATTACHING PARTS)								1
-5	C-18066	BOLT, 5/16-8V 1-1/4 in. cad. pl								8
-6	C-80570	WASHER, 5/16 in.								8
-7	C-43211	LOCKWASHER, 5/16 in.								8
-8	1002765	SCREW, 3/8-16 x 1 in. hex. hd								4
-9	1001304	WASHER, 3/8 in.								4
-10	1000819	NUT, 3/8-16 - - - * - - -								4
-11	141-6834	ROD, ribbon								1
-12	C-54719	PIN, 3/32 cotter								2
-13	160-0618	BRACKET, guide								2
-14	160-689	BUSHING, doffer roll (ATTACHING PARTS)								2
-15	1002112	SCREW, 5/16-18 x 1 in. lg hex. hd								4
-16	1001262	WASHER, 5/16 in.								4
-17	1000785	NUT, 5/16-18 hex. - - - * - - -								4
-18	141-08119	DOFFER ROLL ASSY								1
-19	160-6005	SUPPORT, feed table (ATTACHING PARTS)								2
-20	1003052	SCREW, 1/2-13 x 1 in. lg hex. hd								4
-21	1001320	WASHER, 1/2 in.								4
-22	1000843	NUT, 1/2-13 hex. - - - * - - -								4
-23	160-691	BRACKET, switch support								1
-24	160-0619	ROD, doffer roll								2
-25	160-0617	ROD END WELDMENT								2
-26	141-08120	ROD ASSY, ribbon feed								1
-27	160-95	RIBBON, 60 in.								45
-28	C-16164	BEARING, pillow block (ATTACHING PARTS)								2
-29	1003110	SCREW, 1/2-13 x 1-1/2 in. lg hex. hd								4
-30	1001320	WASHER, 1/2 in.								4
-31	1000843	NUT, 1/2-13 hex. - - - * - - -								4
-32	160-0130	RIBBON FEED WELDMENT								1
-33	160-0662	SPEEDOMETER DRIVE ASSY								1
-34	141-012	BRACKET AND STUD IDLER (ATTACHING PARTS)								
-35	1003201	SCREW, 1/2-13 x 2-1/2 in. lg hex. hd								2
-36	1001320	WASHER, 1/2 in.								2
-37	1000843	NUT, 1/2-13 hex. - - - * - - -								2
-38	1026103	NIPPLE, 1/8 in. x 1-1/4 in. lg								1
-39	1036441	COUPLING, 1/8 in.								1
-40	1028992	ELBOW								1

PRODUCT CODE 152

ITEM NO.	PART NO.	DESCRIPTION							MFRS. CODE	UNITS PER ASSY
		1	2	3	4	5	6	7		
-41	160-0661									1
-42	141-04117									1
-43	C-68618									1
-44	141-1787									1
-45	141-6737									1
-46	141-1786									1
-47	128-0104									1
-48	126-066									1
-49	1019447									1
-50	141-06162									1
-51	1001627									10
-52	141-121									5
-53	C-48158									4
-54	141-6836									1
-55	3116-989									10
-56	128-900									1 roll
-57	160-0659									1
-58	1002765									4
-59	1001304									4
-60	1000819									4
-61	141-06000									1
-62	141-6016									1
-63	1002120									4
-64	1000785									4
-65	126-010									10
-66	1002989									10
-67	1001064									10
-68	126-011									1
-69	141-01133									1
-70	600-621									1
-71	C-59218									2
-72	126-13									2
-73	126-68									1
-74	3116-989									1
-75	126-69									1
-76	C-54513									2
-77	141-06002									1
-78	141-06003									1
-79	160-0637									Ref
-80	REF									Ref

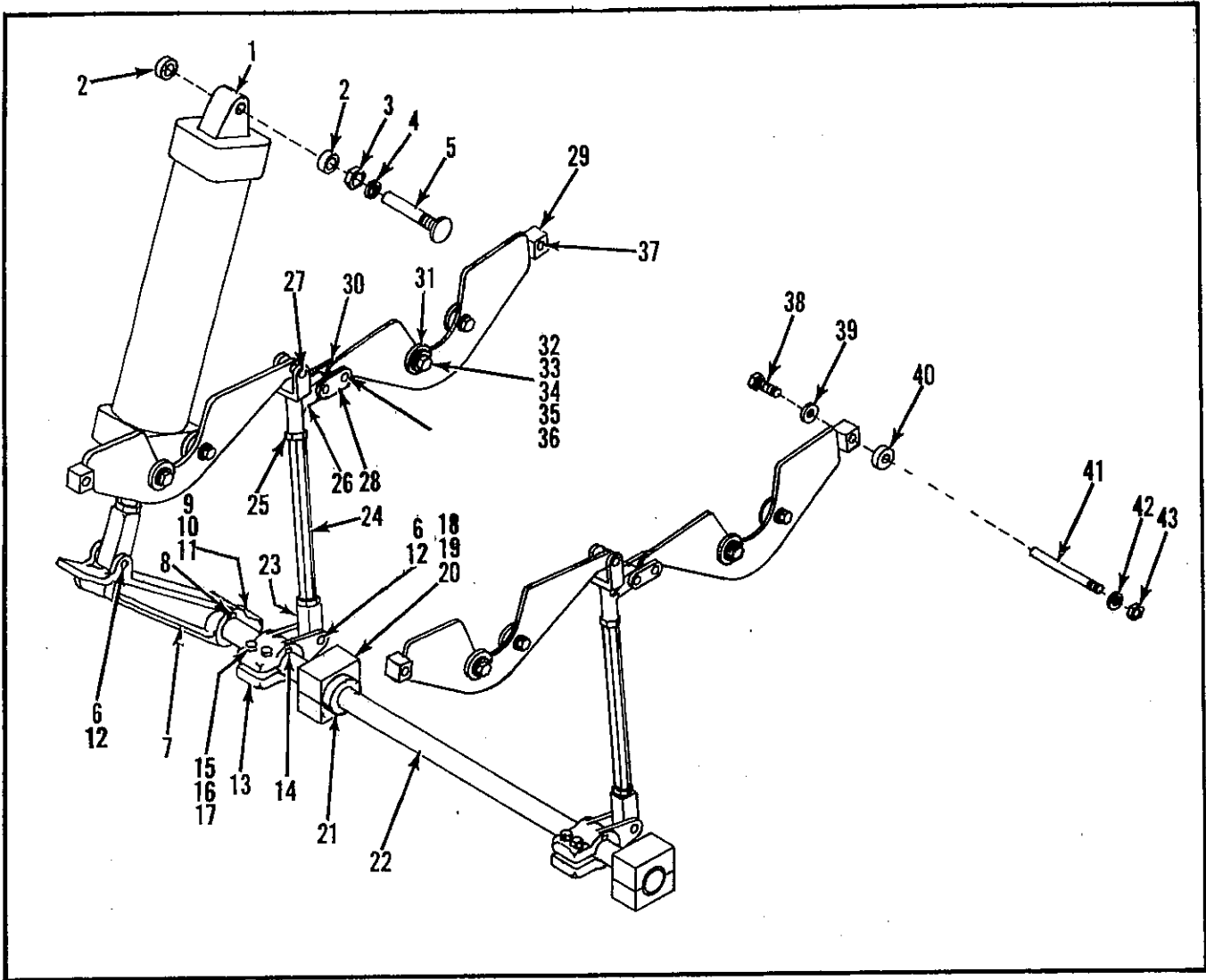


Figure 6-17. Air Cylinder Drive Mechanism

PRODUCT CODE 152

ITEM NO.	PART NO.	DESCRIPTION							MFRS. CODE	UNITS PER ASSY
		1	2	3	4	5	6	7		
-1	C-24385	AIR CYLINDER DRIVE MECHANISM CYLINDER,air w/ kit MP2-P57366(P601 97-0120)(For breakdown see figure 17.)								1
-2	C-22265	COLLAR, 3/4 in. set								2
-3	1000492	NUT, 1-8 hex.								1
-4	1001171	LOCKWASHER, 1 in.								1
-5	160-67	STUD, air cylinder pivot								1
-6	141-601	PIN								3
-7	141-276	LEVER, air cylinder								1
-8	30-6079	KEY, air cylinder lever								1
-9	1004456	SCREW, hex.hd cap 3/4-10 x 3in.lg								2
-10	1001148	LOCKWASHER, 3/4 in.								2
-11	1000900	NUT, 3/4-10 hex.								2
-12	1023795	SCREW, 5/16-18 x 5/8in.lg set								3
-13	160-21	LEVER, raising rig								2
-14	30-6077	KEY								
-15	1003508	SCREW, 5/8-11 x 3in.lg hex.hd cap.								4
-16	1001114	LOCKWASHER, 5/8 in.								4
-17	1000884	NUT, 5/8-11 hex.								4
-18	160-0629	BEARING BLOCK ASSY								2
-19	160-124	BRACKET								2
-20	160-121	BEARING								2
-21	C-22279	COLLAR								2
-22	160-609	SHAFT, cross								1
-23	141-605	ROD END, lower								2
-24	141-602	ROD								2
-25	C-48022	NUT, 3/4-10 jam								4
-26	141-6718	ROD END, upper								2
-27	141-600	PIN								2
-28	069-6070	LINK, connecting								2
-29	160-020	ARM ASSY								4
-30	C-63112	SCREW, 1/4-20 x 3/8in. headless cone point soc set								4
-31	C-14674	BEARING, radial ball								8
-32	160-119	HUB, bearing								8
-33	C-62162	SCREW, 5/8-11 x 2 in.lg cup								8
-34	C-80529	WASHER, 5/8 in.								8
-35	C-43217	LOCKWASHER, 5/8 in.								8
-36	C-48019	NUT, 5/8in. hex.								8
-37	C-19564	BUSHING, 1 in.id								4
-38	1002708	SCREW, 3/8-16 x 1/2 in.lg hex.hd cap								4
-39	1001064	LOCKWASHER, 3/8 in.								4
-40		COLLAR								4
-41	160-66	STUD, pivot								4
-42	1001429	WASHER, 2in.od x 1 in.id 1/8in. thk								4
-43	1000900	NUT, 3/4-10 hex.								4

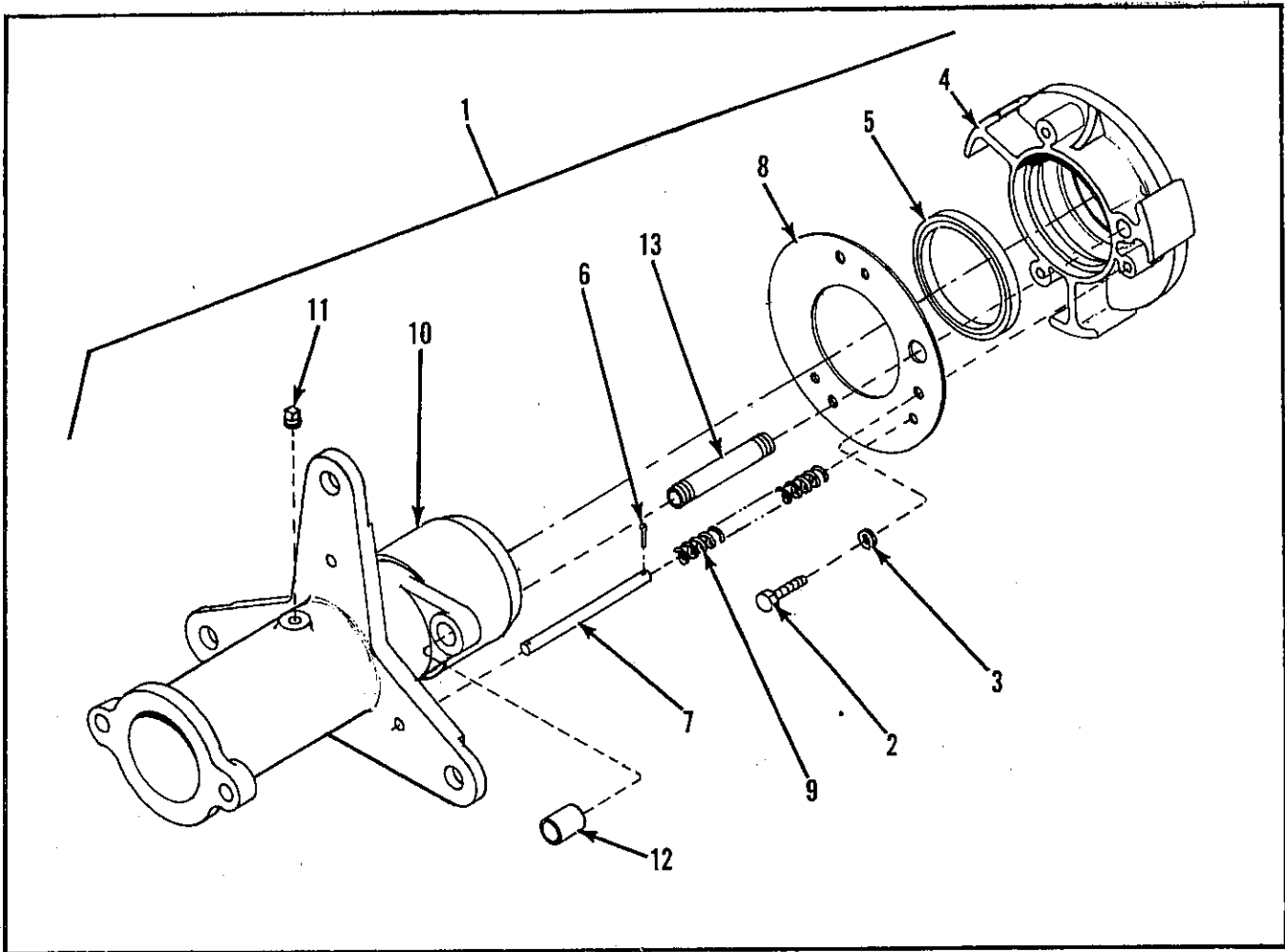


Figure 6-18. Vacuum Adapter Assembly

ITEM NO.	PART NO.	DESCRIPTION							MFRS. CODE	UNITS PER ASSY
		1	2	3	4	5	6	7		
-1	141-070	VACUUM ADAPTER ASSY								
-2	C-62089	SCREW, 1/4-20 x 1/2 in.lg hex.hd cap								3
-3	C-43209	LOCKWASHER, 1/4 in. std								3
-4	141-1749	FLANGE, floating								1
-5	141-90	SEAL							96820	1
-6	C-54513	PIN, cotter 3/32in. x 3/4in.lg								6
-7	141-67	GUIDE, spring								3
-8	141-68	RING, retaining								1
-9	141-69	SPRING								3
-10	141-775	ADAPTER, vacuum								1
-11	C-56009	PLUG, 1/8 in. sq pipe								1
-12	C-23130	COUPLING, 1/8in. std steel								1
-13	C-46087	NIPPLE, 1/8in. x 2 in.lg black pipe								1

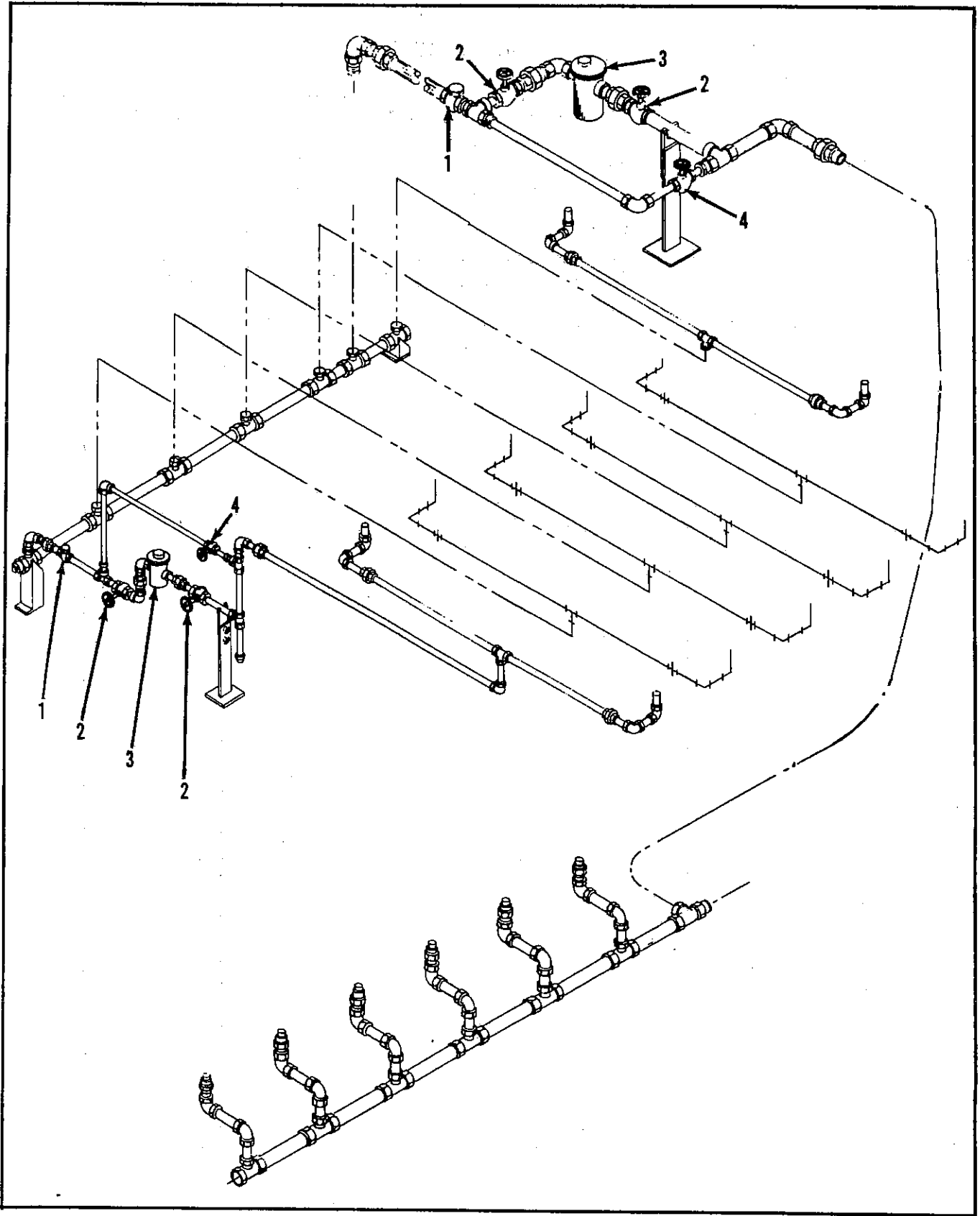


Figure 6-19. Steam Piping Components

PRODUCT CODE 152

ITEM NO.	PART NO.	DESCRIPTION							MFRS. CODE	UNITS PER ASSY
		1	2	3	4	5	6	7		
--	REF	STEAM PIPING COMPONENTS								ref
-1	C-77968	VALVE, 3/4 in. check								2
-2	C-77865	VALVE, 3/4 in.								4
-3		STEAM TRAP (Specify two of the following)							03933	2
-3-1	C-72824	STEAM TRAP (811) for 4, 5, 6, 7, 8 roll units							03933	
-3-2	C-72825	STEAM TRAP (812) for 1, 2, 3, 8 roll units							03933	
-4	C-77967	VALVE, 1/2 in.								2

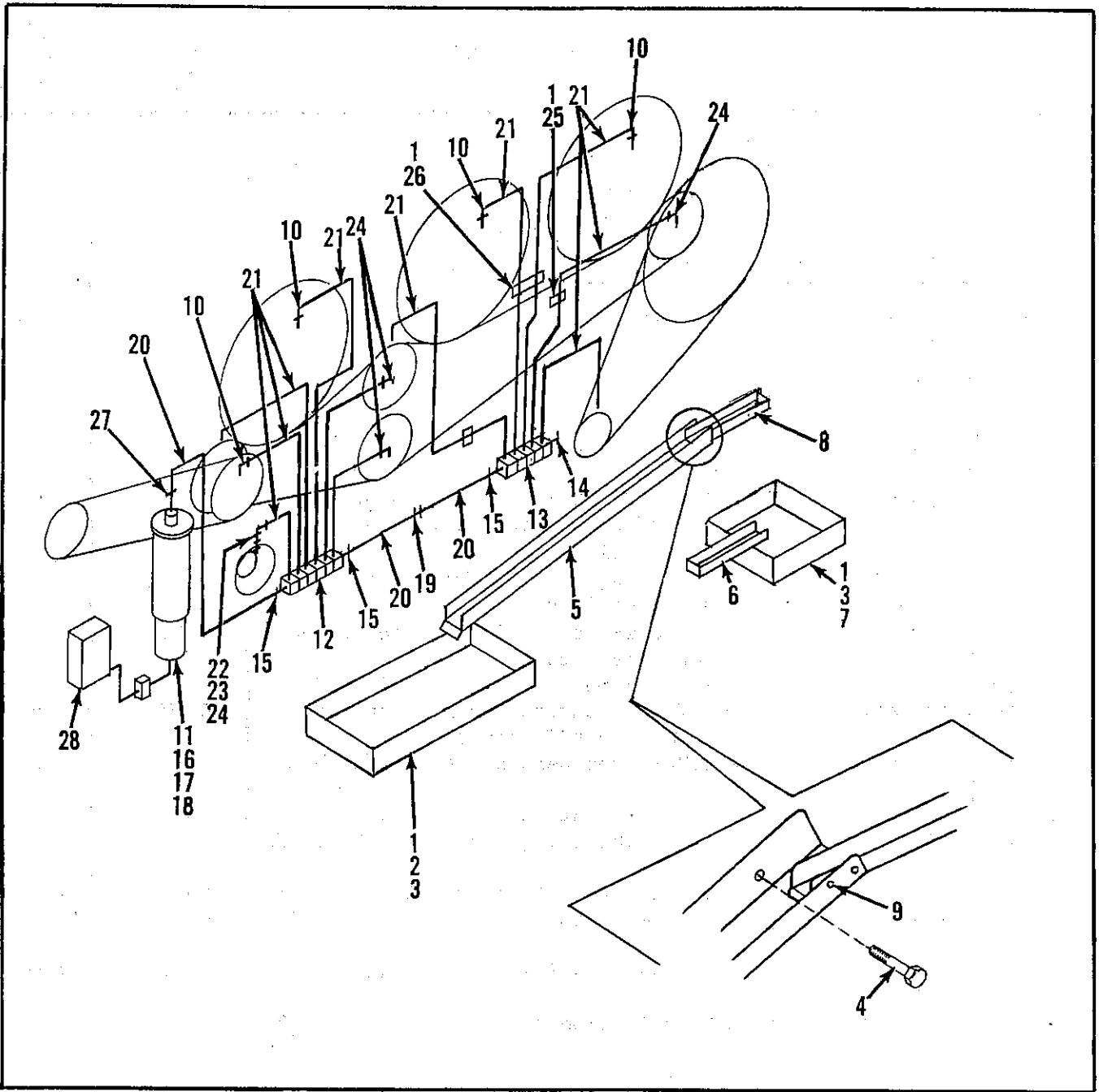


Figure 6-20a. Drip Pan and Lubrication System, 3 Roll

ITEM NO.	PART NO.	DESCRIPTION							MFRS. CODE	UNITS PER ASSY
		1	2	3	4	5	6	7		
--	1182906	DRIP PAN AND LUBE SYSTEM, 3 Roll								ref
-1	1164425	SCREW, self tap sh met sl Hd type z Cad Pl No.10 x 5/8 In.								16
-2	1183003	OIL PAN WELDMENT, 24 In.								1
-3	1183045	CLIP, pan								3
-4	1182963	SCREW, self tap Sh Met Hex Hd type. z No. 14 x 3/8 In.								4
-5	1183060	GUTTER, oil 42 In.								1
-6	1183029	OIL PAN WELDMENT, 14 In.								1
-7	1182971	GUTTER, oil 6 In.								1
-8	1183052	GUTTER, oil 10 In.								1
-9	1182955	RIVET, pop 1/8 In. Dia x 1/8 In.								2
-10	1182970	CONNECTOR, 1/8 In. P x 1/8 In. T (68-F)							30327	3
-11	1035617	PUMP AND RESERVOIR, oil 4-1/4 pint (82885XX) (For breakdown see figure 22.)							04895	1
-12	1028984	INJECTOR, oil (83311-6) (For break- down see figure 21.)							04895	1
-13	1036367	INJECTOR, oil (83311-5) (For break- down see figure 21.)							04895	1
-14	1151794	PLUG, pipe Bla 1/8 In. NPT								1
-15	1090414	FITTING, compression 1/4 In. Od tube x In MPT (68-F)							30317	3
-16	1155092	SCREW, cap hex. Hd Zn Pl 3/8-16 x 1 In.								2
-17	1000827	NUT, hex. Stl Zn Pl 3/8-16								2
-18	1167634	LOCKWASHER, light external tooth Zn Pl 3/8 In.								2
-19	1182948	UNION, Brs 1/4 In. Od (62F)							30327	1
-20	M-91227	TUBING, steel 1/4 In. x .028 wall (62176)							09761	7 Ft
-21	M-91224	TUBING, steel 1/8 In. x .020 wall (62175)							09761	34 Ft
-22	1026111	NIPPLE, pipe short Bla 1/8 In. x 2 In.								1
-23	1164342	COUPLING, pipe Stl 1/8 In.								1
-24	1028992	ELBOW, male comp Brs 1/8 In. T x 1/8 In. NPT (69F)							30327	5
-25	1182914	CLIP, tube Sgl 1/8 In. tube (A2764)							70295	6
-26	1182922	CLIP, tube Dbl 1/8 In. tube (B3567)							70295	4
-27	1180761	CONNECTOR, Brs 1/4 In. Od x 1/4 In. MPT (68-F)							30327	1
-28	620-7800	TIMER ASSEMBLY (For breakdown see figure 23.)								

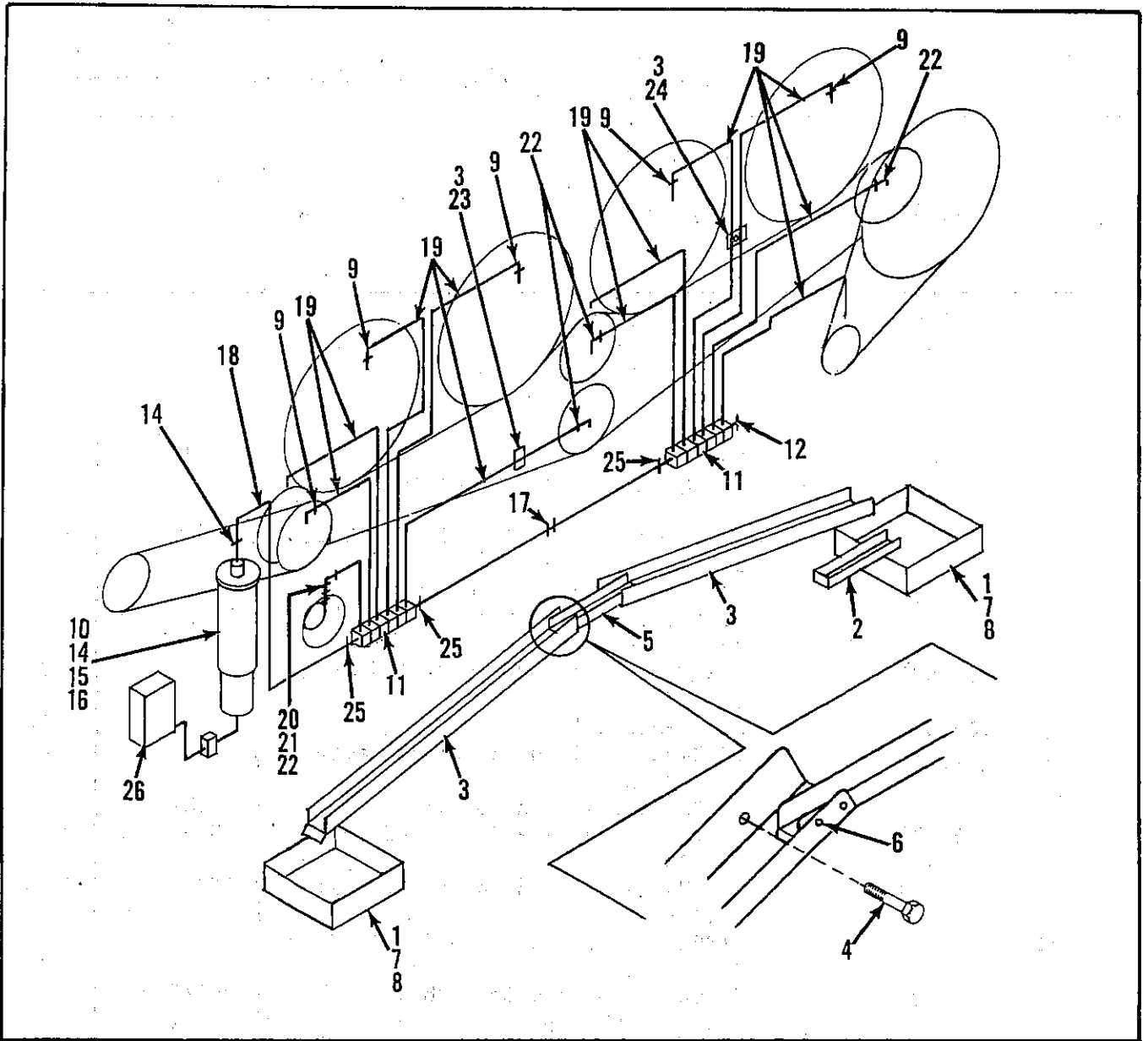


Figure 6-20b. Drip Pan and Lubrication System, 4 Roll

ITEM NO.	PART NO.	DESCRIPTION							MFRS. CODE	UNITS PER ASSY
		1	2	3	4	5	6	7		
	1183078	DRIP PAN AND LUBE SYSTEM 4 ROLL								Ref
-1	1182971	PAN, oil 6 In.								2
-2	1183029	OIL PAN WELDMENT 14 In.								1
-3	1183060	GUTTER, oil 42 In.								2
-4	1182963	SCREW, self tap Sh Met Hex.Hd type Z No. 14 x 3/8 In.								8
-5	1183086	GUTTER, oil 12 In.								1
-6	1182955	RIVET, pop 1/8 In. Dia x 1/8 In.								4
-7	1183045	CLIP, pan								4
-8	1164425	SCREW, self tap Sh Met Sl Hd type z Cad. Pl No. 10 x 5/8 In.								18
-9	1182970	CONNECTOR, 1/8 In. P x 1/8 In. T (68-F)							30327	4
-10	1035617	PUMP AND RESERVOIR, oil 4-1/4 pint (82885XX) (For breakdown see figure 22.)							04895	1
-11	1028984	INJECTOR, oil (83311-6) (For breakdown see figure 21.)							04895	2
-12	1151794	PLUG, pipe Bla 1/8 In. NPT								1
-13	1160761	CONNECTOR, Brs 1/4 In. Od x 1/4 In. MPT (68-F)							30327	
-14	1155092	SCREW, cap Hex. Hd Zn Pl 3/8-16 x 1 In.								2
-15	1000827	NUT, Hex. Stl Zn Pl 3/8-16								2
-16	1167634	LOCKWASHER, light external tooth Zn Pl 3/8 In.								2
-17	1182948	UNION, Brs 1/4 In. Od (62-F)							30327	1
-18	M-91227	TUBING, steel 1/4 In. x .028 wall (62176)							09761	9 Ft
-19	M-91224	TUBING, steel 1/8 In. x .020 wall (62175)							09761	50Ft
-20	1026111	NIPPLE, pipe short Bla 1/8 In. 2 In.								1
-21	1164342	COUPLING, pipe Stl 1/8 In.								1
-22	1028992	ELBOW, male Comp Brs 1/8 In. T x 1/8 In. NPT (69-F)							30327	5
-23	1182914	CLIP, tube Sgl 1/8 In. tube (A2764)							70295	6
-24	1182922	CLIP, tube Dbl 1/8 In. tube (B-3567)							70295	4
-25	1090414	CONNECTOR, Brs 1/4 In. Od x 1/4 In. MPT (68-F)							30327	3
-26	620-7800	TIMER ASSEMBLY (For breakdown see figure 23.)								

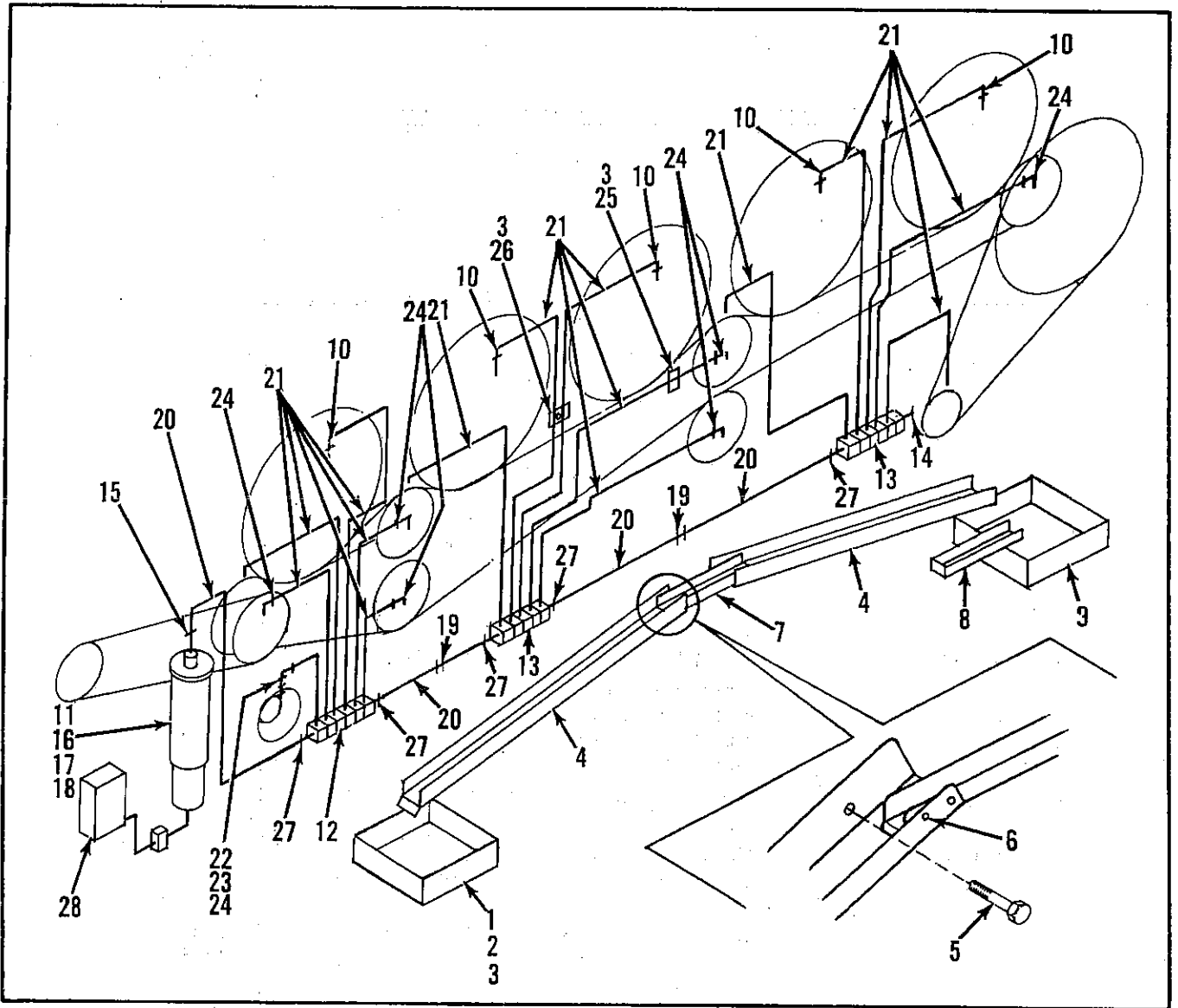


Figure 6-20c. Drip Pan and Lubrication System, 5 Roll

ITEM NO.	PART NO.	DESCRIPTION							MFRS. CODE	UNITS PER ASSY
		1	2	3	4	5	6	7		
--	1183094	DRIP PAN AND LUBE SYSTEM 5 ROLL								Ref
-1	1183003	OIL PAN WELDMENT 24 In.								1
-2	1183045	CLIP, pan								2
-3	1164425	SCREW, self tap Sh Met S1 Hd type z Cad. P1 No. 10 x 5/8 In.								16
-4	1183060	GUTTER, oil 42 In.								2
-5	1182963	SCREW, self tap Sh Met Hex.Hd type z No. 14 x 3/8 In.								8
-6	1182955	RIVET, pop 1/8 In. Dia x 1/8 In.								4
-7	1183086	GUTTER, oil 12 In.								1
-8	1183029	OIL PAN WELDMENT, 14 In.								1
-9	1182971	OIL PAN WELDMENT, 16 In.								1
-10	1182970	CONNECTOR, 1/8 In. P x 1/8 In. T (68-F)								5
-11	1035617	PUMP AND RESERVOIR, oil 4-1/4 pint (82885xx) (For breakdown see figure 22.)							04895	1
-12	1028984	INJECTOR, oil (83311-6) (For break- down see figure 21.)							04895	1
-13	1036367	INJECTOR, oil (83311-5) (For break- down see figure 21.)							04895	2
-14	1151794	PLUG, pipe Bla 1/8 In. NPT								1
-15	1160761	CONNECTOR, Brs 1/4 In. Od x 1/4 In. MPT (68-F)							30327	1
-16	1155092	SCREW, cap Hex. Hd Zn Pl 3/8-16 x 1 In.								1
-17	1000827	NUT, Hex. Stl Zn Pl 3/8-16								2
-18	1167634	LOCKWASHER, light external tooth Zn Pl 3/8 In.								2
-19	1182948	UNION, Brs 1/4 In. Od (62-F)							30327	2
-20	M-91227	TUBING, steel 1/4 In. x .028 wall (62176)							09761	11Ft
-21	M-91224	TUBING, steel 1/8 In. x .020 wall (62175)							09761	50Ft
-22	1026111	NIPPLE, pipe short Bla 1/8 In. 2 In.								1
-23	1164342	COUPLING, pipe Stl 1/8 In.								1
-24	1028992	ELBOW, male Comp Brs 1/8 In. T x 1/8 In. NPT (69-F)							30327	7
-25	1182914	CLIP, tube Sgl 1/8 In. tube (A2764)							70295	6
-26	1182922	CLIP, tube Dbl 1/8 In. tube (B-3567)							70295	6
-27	1090414	CONNECTOR, Brs 1/4 In. Od x 1/4 In. MPT (68-F)							30327	5
-28	620-7800	TIMER ASSEMBLY (For breakdown see figure 23.)								

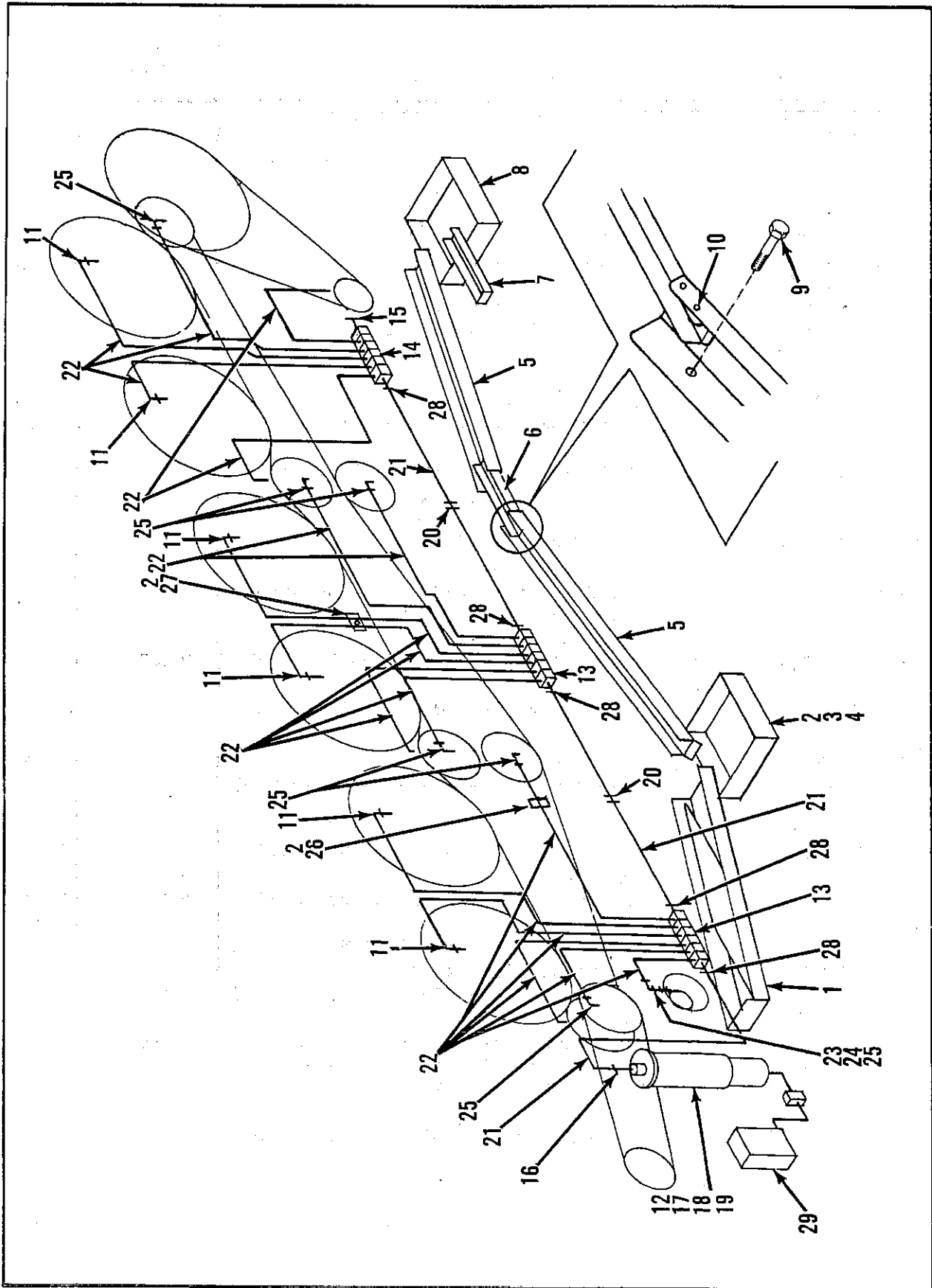


Figure 6-20d. Drip Pan and Lubrication System, 6 Roll

PRODUCT CODE 152

ITEM NO.	PART NO.	DESCRIPTION							MFRS. CODE	UNITS PER ASSY
		1	2	3	4	5	6	7		
	1183102	DRIP PAN AND LUBE SYSTEM 6 ROLL								Ref
-1	1183136	GUTTER, oil 45 In.								2
-2	1164425	SCREW, self tap Sh Met S1 Hd type z Cad. P1 No. 10 x 5/8 In.								16
-3	1183110	OIL PAN WELDMENT 12 In.								1
-4	1183045	CLIP, pan								2
-5	1183060	GUTTER, oil 42 In.								2
-6	1183086	GUTTER, oil 12 In.								1
-7	1183029	OIL PAN WELDMENT 14 In.								1
-8	1182971	OIL PAN WELDMENT 6 In.								1
-9	1182963	SCREW, self tap Sh Met Hex. Hd type z No. 14 x 3/8 In.								12
-10	1182955	RIVET, pop 1/8 In. Dia x 1/8 In.								4
-11	1182970	CONNECTOR, 1/8 In. P x 1/8 In. T (68-F)							30327	6
-12	1035617	PUMP AND RESERVOIR, oil 4-1/4 pint (82885xx) (For breakdown see figure 22.)							04895	1
-13	1028984	INJECTOR, oil (83311-6) (For breakdown see figure 21.)							04895	2
-14	1036367	INJECTOR, oil (83311-5) (For breakdown see figure 21.)							04895	1
-15	1151794	PLUG, pipe Bls 1/8 In. NPT								1
-16	1160761	CONNECTOR, Brs 1/4 In. Od x 1/4 In. MPT (68-F)							30327	1
-17	1155092	SCREW, cap Hex. Hd Zn P1 3/8-16 x 1 In.								2
-18	1000827	NUT, hex. Stl Zn P1 3/8-16								2
-19	1167634	LOCKWASHER, light external tooth Zn P1 3/8 In.								2
-20	1182948	UNION, Brs 1/4 In. Od (62-F)							30327	2
-21	M-91227	TUBING, steel 1/4 In. x .028 wall (62176)							09761	14Ft
-22	M-91224	TUBING, steel 1/8 In. x .020 wall (62175)							09761	60Ft
-23	1026111	NIPPLE, pipe short Bls 1/8 In. 2 In.								1
-24	1164342	COUPLING, pipe Stl 1/8 In.								1
-25	1028992	ELBOW, male Comp Brs 1/8 In. T x 1/8 In. NPT (69-F)							30327	7
-26	1182914	CLIP, tube Sgl 1/8 In. tube (A2764)							70295	6
-27	1182922	CLIP, tube Dbl 1/8 In. tube (B-3567)							70295	6
-28	1090414	CONNECTOR, Brs 1/4 In. Od x 1/4 In. MPT (68-F)							30327	5
-29	620-7800	TIMER ASSEMBLY (For breakdown see figure 23.)								

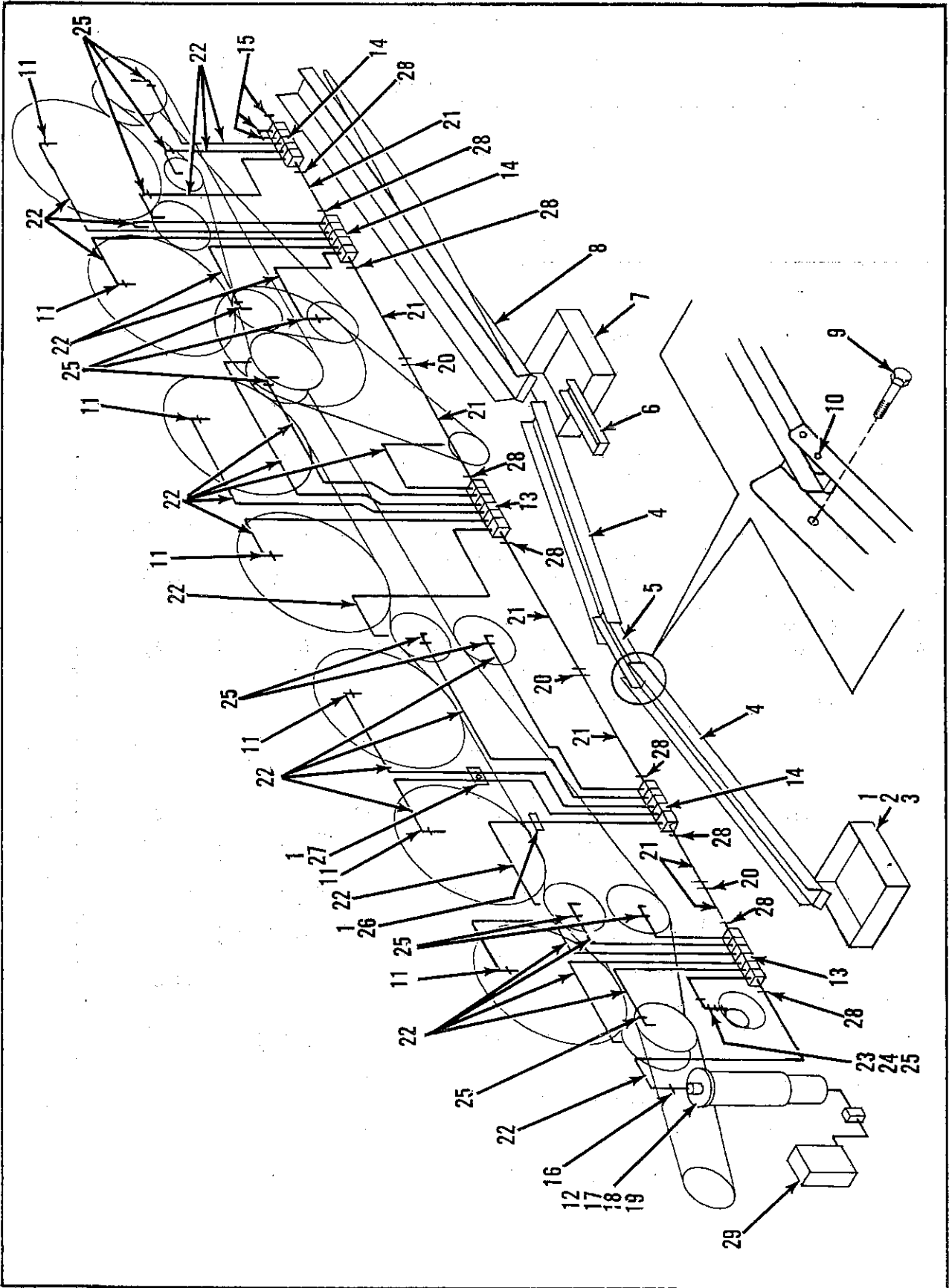


Figure 6-20e. Drip Pan and Lubrication System, 7 Roll

ITEM NO.	PART NO.	DESCRIPTION							MFRS. CODE	UNITS PER ASSY
		1	2	3	4	5	6	7		
--	1183144	DRIP PAN AND LUBE SYSTEM 7 ROLL								Ref
-1	1164425	SCREW, self tap Sh Met Sl Hd type z Cad.PI No. 10 x 5/8 In.								28
-2	1183003	OIL PAN WELDMENT 24 In.								1
-3	1183045	CLIP, pan								4
-4	1183060	GUTTER, oil 42 In.								2
-5	1183029	OIL PAN WELDMENT 14 In.								1
-6	1182971	OIL PAN WELDMENT 6 In.								1
-7	1183086	GUTTER, oil 12 In.								1
-8	1183136	GUTTER, oil 45 In.								1
-9	1182963	SCREW, self tap Sh Met Hex Hd type z No. 14 x 3/8 In.								12
-10	1182955	RIVET, pop 1/8 In. Dia x 1/8 In.								4
-11	1182970	CONNECTOR, 1/8 In. P x 1/8 In. T (68-F)							30327	7
-12	1035617	PUMP AND RESERVOIR, oil 4-1/4 pint (82885xx) (For breakdown see figure 22.)							04895	1
-13	1028984	INJECTOR, oil (83311-6) (For break- down see figure 21.)							04895	2
-14	1036367	INJECTOR, oil (83311-5) (For break- down see figure 21.)							04895	3
-15	1151794	PLUG, pipe Bla 1/8 In. NPT								3
-16	1160761	CONNECTOR, Brs 1/4 In.Od x 1/4 In. MPT (68-F)							30327	1
-17	1155092	SCREW, cap Hex Hd Zn Pl 3/8-16 x 1 In.								2
-18	1000827	NUT, hex Stl Zn Pl 3/8-16								2
-19	1167634	LOCKWASHER, light external tooth Zn Pl 3/8 In.								2
-20	1182948	UNION, Brs 1/4 In. Od (62-F)							30327	3
-21	M-91227	TUBING, steel 1/4 In. x .028 wall (62176)							09761	18Ft
-22	M-91224	TUBING, steel 1/8 In. x .020 wall (62175)							09761	70Ft
-23	1026111	NIPPLE, pipe short Bla 1/8 In. 2 In.								1
-24	1164342	COUPLING, pipe Stl 1/8 In.								1
-25	1028992	ELBOW, male Comp Brs 1/8 In.T x 1/8 In. NPT (69-F)							30327	12
-26	1182914	CLIP, tube Sgl 1/8 In. tube (A2764)							70295	12
-27	1182922	CLIP, tube Dbl 1/8 In. tube (B-3567)							70295	8
-28	1090414	CONNECTOR, Brs 1/4 In.Od x 1/4 In. MPT (68-F)							30327	9
-29	620-7800	TIMER ASSEMBLY (For breakdown see figure 23.)								

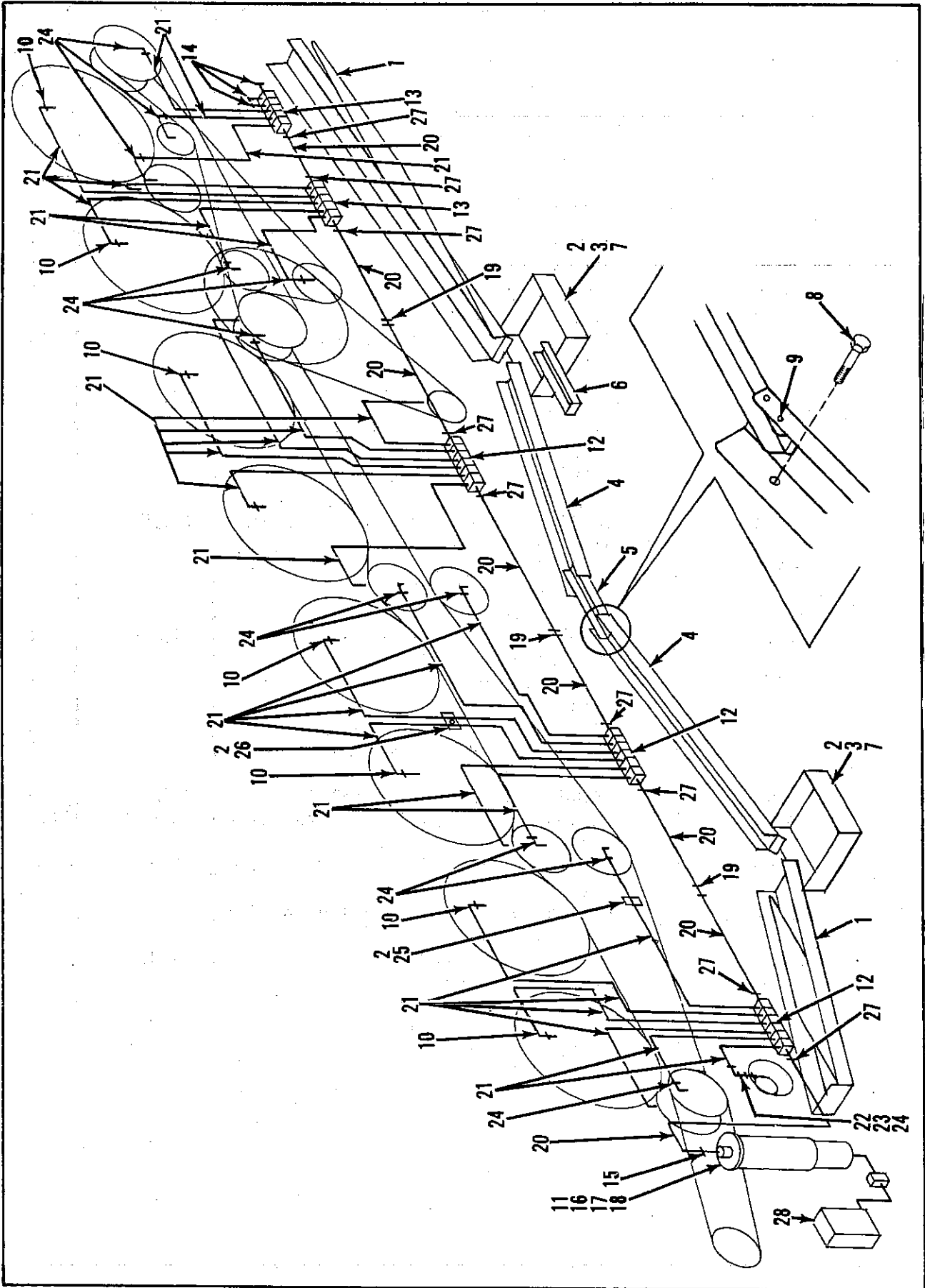


Figure 6-20f. Drip Pan and Lubrication System, 8 Roll

PRODUCT CODE 152

ITEM NO.	PART NO.	DESCRIPTION							MFRS. CODE	UNITS PER ASSY
		1	2	3	4	5	6	7		
--	1183151	DRIP PAN AND LUBE SYSTEM 8 ROLL								
-1	1183136	GUTTER, oil 45 In.								2
-2	1164425	SCREW, self tap Sh Met S1 Hd type z Cad. P1 No. 10 x 5/8 In.								28
-3	1183045	CLIP, pan								4
-4	1183060	GUTTER, oil 42 In.								2
-5	1183086	GUTTER, oil 12 In.								1
-6	1183029	OIL PAN WELDMENT 14 In.								1
-7	1183110	OIL PAN WELDMENT 12 In.								2
-8	1182963	SCREW, self tap Sh Met Hex.Hd type z No. 14 x 3/8 In.								16
-9	1182955	RIVET, pop 1/8 In. Dia x 1/8 In.								4
-10	1182970	CONNECTOR, 1/8 In. P x 1/8 In. T (68-F)							30327	8
-11	1035617	PUMP AND RESERVOIR, oil 4-1/4 pint (82885xx) (For breakdown see figure 22.)							04895	1
-12	1028984	INJECTOR, oil (83311-6) (For breakdown see figure 21.)							04895	3
-13	1036367	INJECTOR, oil (83311-5) (For breakdown see figure 21.)								2
-14	1151794	PLUG, pipe Bla 1/8 In. NPT								3
-15	1160761	CONNECTOR, Brs 1/4 In. Od x 1/4 In. MPT (68-F)							30327	1
-16	1155092	SCREW, cap Hex. Hd Zn P1 3/8-16 x 1 In.								2
-17	1000827	NUT, Hex. Stl Zn P1 3/8-16								2
-18	1167634	LOCKWASHER, light external tooth Zn P1 3/8 In.								2
-19	1182948	UNION, Brs 1/4 In. Od (62-F)							30327	3
-20	M-91227	TUBING, steel 1/4 In. x .028 wall (62176)							09761	18 Ft
-21	M-91224	TUBING, steel 1/8 In. x .020 wall (62175)							09761	80 Ft
-22	1026111	NIPPLE, pipe short Bla 1/8 In. 2 In.								1
-23	1164342	COUPLING, pipe Stl 1/8 In.								1
-24	1028992	ELBOW, male Comp Brs 1/8 In. T x 1/8 In. NPT (69-F)							30327	12
-25	1182914	CLIP, tube Sgl 1/8 In. tube (A2764)							70295	12
-26	1182922	CLIP, tube Dbl 1/8 In. tube (B-3567)							70295	8
-27	1090414	CONNECTOR, Brs 1/4 In. Od x 1/4 In. MPT (68-F)							30327	9
-28	620-7800	TIMER ASSEMBLY (For breakdown see figure 23.)								

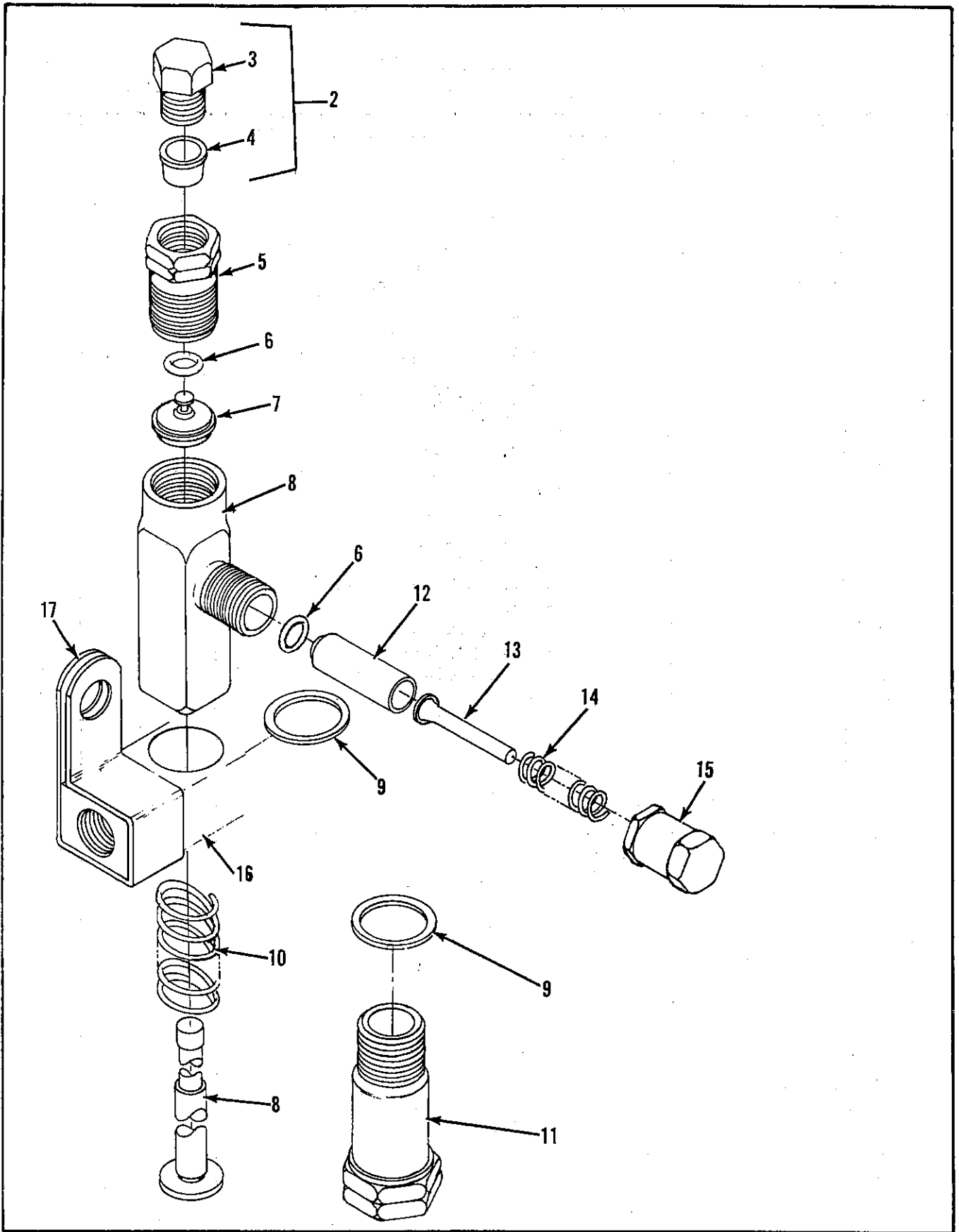


Figure 6-21. Oil Injector

PRODUCT CODE 152

ITEM NO.	PART NO.	DESCRIPTION							MFRS. CODE	UNITS PER ASSY
		1	2	3	4	5	6	7		
-1								INJECTOR, oil (Specify one of the following:)	04895	1
-1-1	1036367							INJECTOR, oil (83311-5)	04895	
-1-2	1028984							INJECTOR, oil (83311-6)	04895	
-2								COMPRESSION NUT ASSY (83924)		1
-3								NUT, compression (14658)		1
-4								FERRULE (14659)		1
-5								BODY, outlet (14986)		1
-6								O-RING (34241)		2
-7								SEAT, check (14987)		2
-8								BODY AND PLUNGER ASSY (92162)		1
-9								GASKET (31138)		2
-10								SPRING (55300)		1
-11								ADAPTER (13871)		1
-12								RETAINER, packing (14074)		1
-13								INDICATOR, injector (13867)		1
-14								SPRING (55301)		1
-15								CAP, indicator (13872)		1
-16								MANIFOLD (Specify one of the following:)		1
-16-1								MANIFOLD, for oil injector 83311-5 (14361)		
-16-2								MANIFOLD, for oil injector 83311-6 (91976-1)		
-17								CLIP, manifold mounting (45924)		2
-18								SCREW, 1/4-20 x 1/2 in.lg mounting (50109)		2

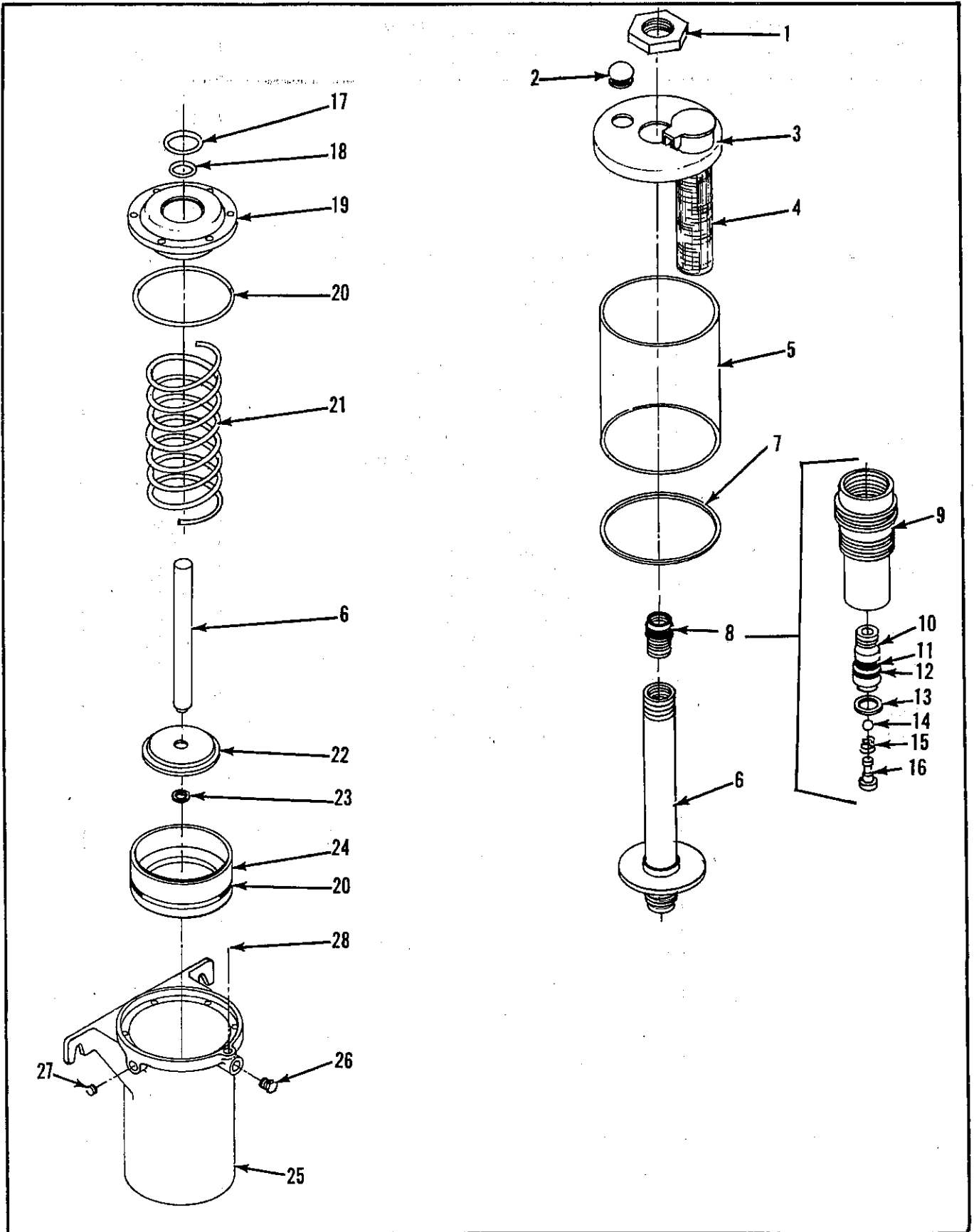


Figure 6-22. Oil Pump

PRODUCT CODE 152

ITEM NO.	PART NO.	DESCRIPTION							MFRS. CODE	UNITS PER ASSY
		1	2	3	4	5	6	7		
--	1035617	PUMP, oil (82885XX)							04895	
-1		NUT (51083)							04895	1
-2		BUTTON, plug (68797)							04895	1
-3		COVER ASSY (92180)							04895	1
-4		STRAINER (69128)							04895	1
-5		RESERVOIR (41513)							04895	1
-6		BUSHING AND PLUNGER ASSY (92685)							04895	1
-7		*GASKET (34274)							04895	1
-8		CHECK ASSY (84174)							04895	1
-9		BODY, outlet							04895	1
-10		BODY, check							04895	1
-11		*GASKET (34445)							04895	1
-12		*O-RING (34368)							04895	1
-13		*GASKET (31020)							04895	1
-14		*BALL (66250)							04895	1
-15		*SPRING (56106)							04895	1
-16		BALL STOP (14288)							04895	1
-17		*GASKET (31086)							04895	1
-18		*O-RING (34211)							04895	1
-19		CYLINDER END							04895	1
-20		*O-RING (34358)							04895	2
-21		SPRING (55289)							04895	1
-22		WASHER, thrust (45872)							04895	1
-23		RING, retaining (68530)							04895	1
-24		PISTON (40477)							04895	1
-25		CASTING, cylinder (41238)							04895	1
-26		PLUG, pipe (67117)							04895	1
-27		FILTER (69295)							04895	1
-28		PLUG, pipe (12511)							04895	1

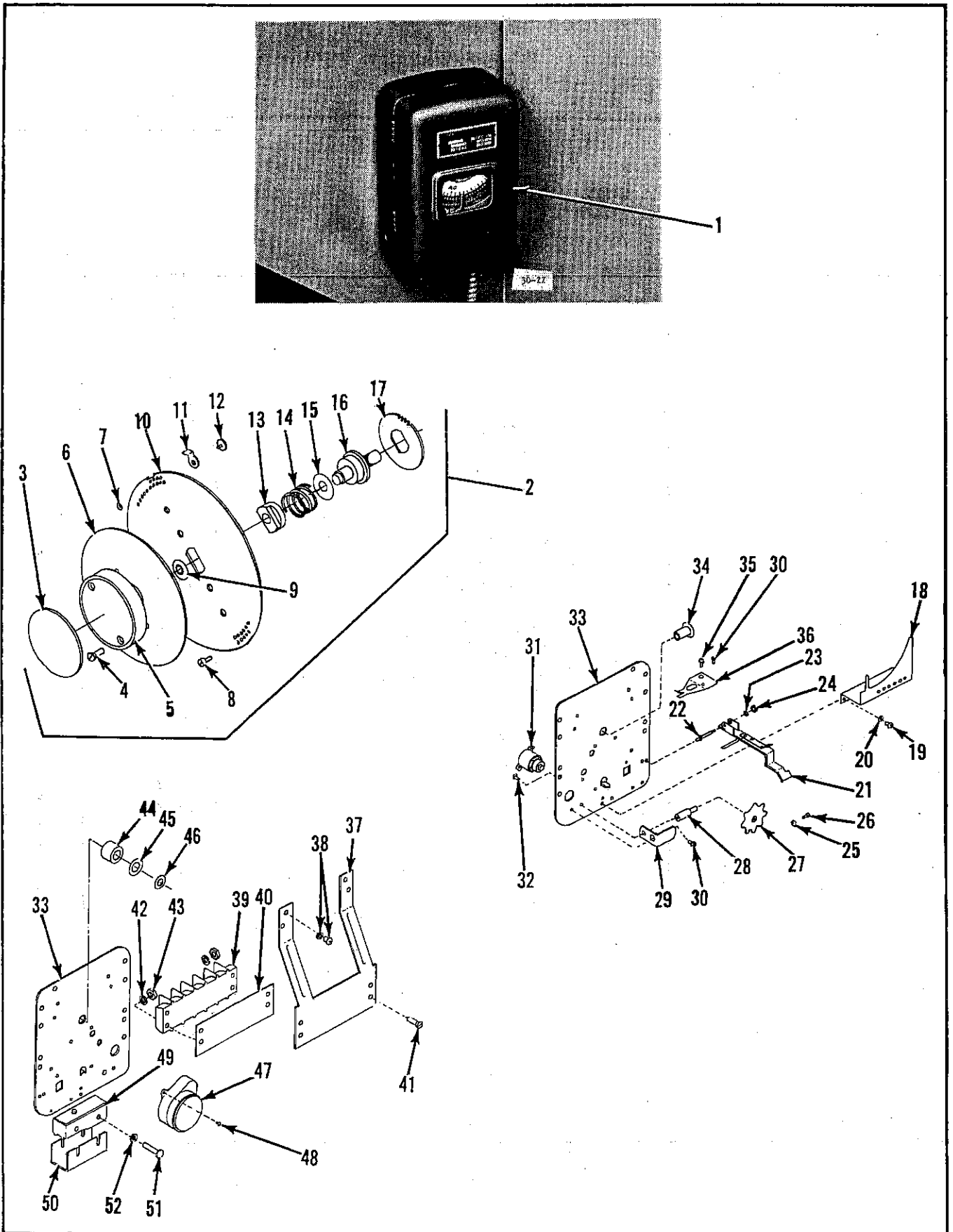


Figure 6-23. Timer Assembly

PRODUCT CODE 152

ITEM NO.	PART NO.	DESCRIPTION							MFRS. CODE	UNITS PER ASSY
		1	2	3	4	5	6	7		
-1		TIMER ASSY (620-7800)							04221	1
-2		DIAL ASSY (675-0031)							04221	1
-3		LABEL (340-0010)							04221	1
-4		SCREW (301-0505)							04221	1
-5		KNOB, dial (061-4003)							04221	1
-6		DIAL (171-0217)							04221	1
-7		RIVET (270-0616)							04221	a/r
-8		SCREW, pin (300-0305)							04221	12
-9		NUT, push-on (065-6702)							04221	1
-10		DIAL (171-0229)							04221	1
-11		ARM, trip (010-6668)							04221	1
-12		RIVET (270-0602)							04221	1
-13		BUSHING (091-0642)							04221	1
-14		SPRING (247-6896)							04221	1
-15		WASHER (540-5629)							04221	1
-16		STUD, clutch (510-0699)							04221	1
-17		GEAR, (033-6003)							04221	1
-18		POINTER, time (131-6614)							04221	1
-19		SCREW (314-0021)							04221	2
-20		WASHER (540-0629)							04221	2
-21		ARM (600-0207)							04221	1
-22		STUD (510-6619)							04221	1
-23		WASHER (540-0629)							04221	1
-24		NUT (066-6607)							04221	1
-25		POINTER (131-6615)							04221	1
-26		SCREW (312-0122)							04221	1
-27		CAM ASSY (657-0069)							04221	1
-28		STUD (513-6624)							04221	1
-29		ARM, brake (010-5610)							04221	1
-30		SCREW (312-0122)							04221	2
-31		PUSHBUTTON (320-0004)							04221	1
-32		SCREW (321-0023)							04221	1
-33		PLATE (397-6650)							04221	1
-34		BUSHING (091-0650)							04221	1
-35		SCREW (314-0081)							04221	2
-36		TRIP, finger (200-0512)							04221	1
-37		BRACKET, (084-0210)							04221	1
-38		SCREW (312-0022)							04221	4
-39		TERMINAL BLOCK (033-0051)							04221	1
-40		INSULATOR (292-4035)							04221	1
-41		SCREW (312-0210)							04221	4
-42		WASHER (540-6659)							04221	4
-43		NUT (066-6616)							04221	4
-44		SLEEVE (136-0623)							04221	1
-45		WASHER, spring (540-6703)							04221	1
-46		NUT, push-on (065-6702)							04221	1
-47		MOTOR (260-0541)							04221	1
-48		SCREW (310-0061)							04221	1
-49		SWITCH (323-0073)							04221	1

PRODUCT CODE 152

ITEM NO.	PART NO.	DESCRIPTION							MFRS. CODE	UNITS PER ASSY	
		1	2	3	4	5	6	7			
-50									INSULATOR (233-4018)	04221	1
-51									SCREW (310-0173)	04221	2
-52									WASHER (540-6646)	04221	2

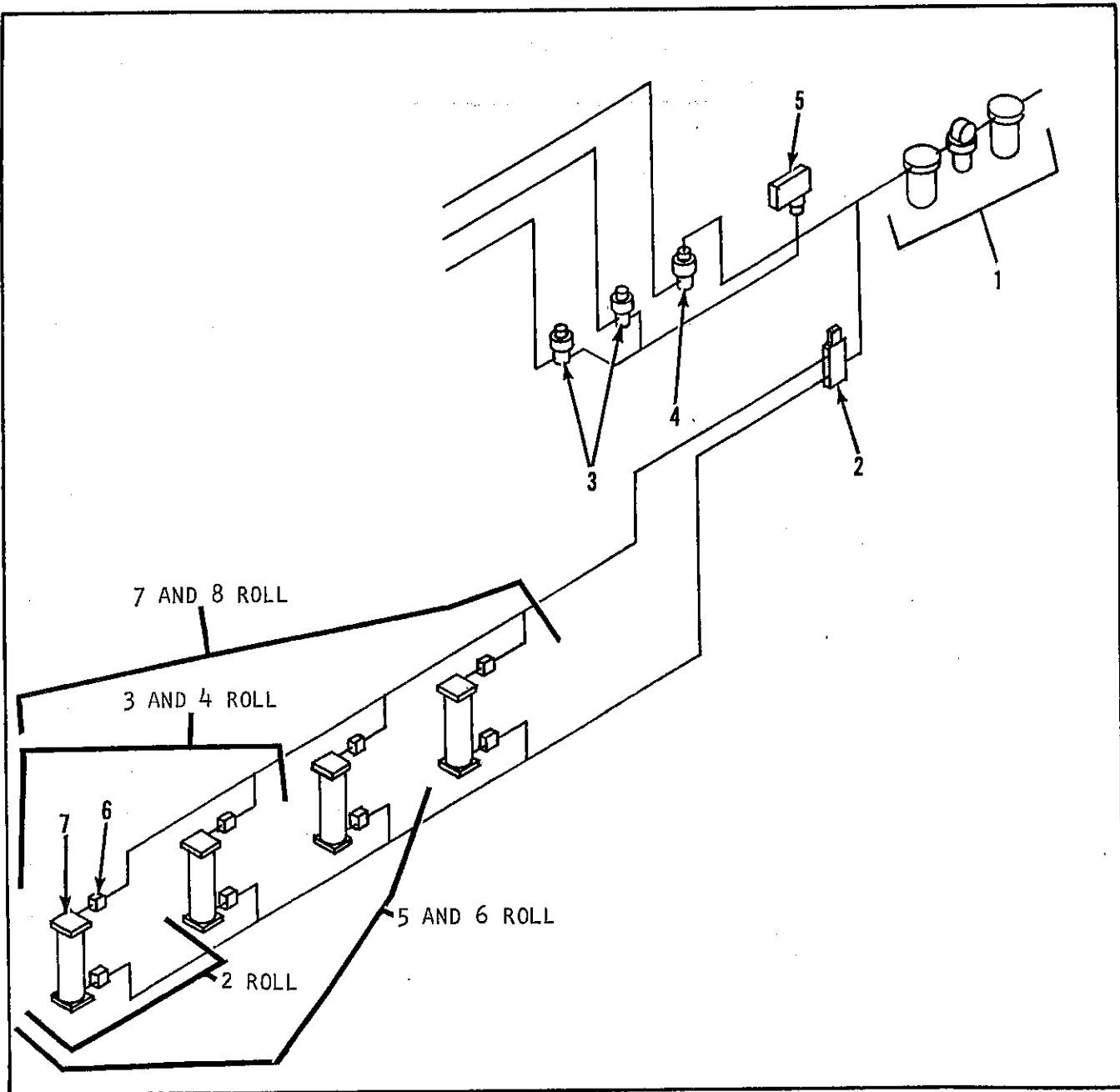


Figure 6-24. Air System Components

ITEM NO.	PART NO.	DESCRIPTION							MFRS. CODE	UNITS PER ASSY
		1	2	3	4	5	6	7		
-1	160-A13 160-A14 160-A15 160-A16 C-43407	AIR SYSTEM COMPONENTS, 2-roll through 8-roll FILTER,REGULATOR,LUBRICATOR							43990	
-2		VALVE,roll raise solenoid (H935DB2150) (For breakdown see figure 26.)							81978	ref
-3		VALVE,clutch and *oiler solenoid(A3DB2127) (For breakdown see figure 27.)							81978	ref
-4		VALVE,reed switch(A5DB2127) (For breakdown see figure 28.)							81978	ref
-5	C-22574	SWITCH,air pressure(P70AA-5)							92578	1
-6	C-77203	**VALVE,pneutrol(F-10-B)							92029	a/r
-7	C-24385	**CYLINDER,4 in.st 12in.bore (P60197-0120)							61775	a/r

*The oiler solenoid valve is not required on the manual lubrication system of 2-roll units.

**Quantity dependent upon the number of rolls each unit has.

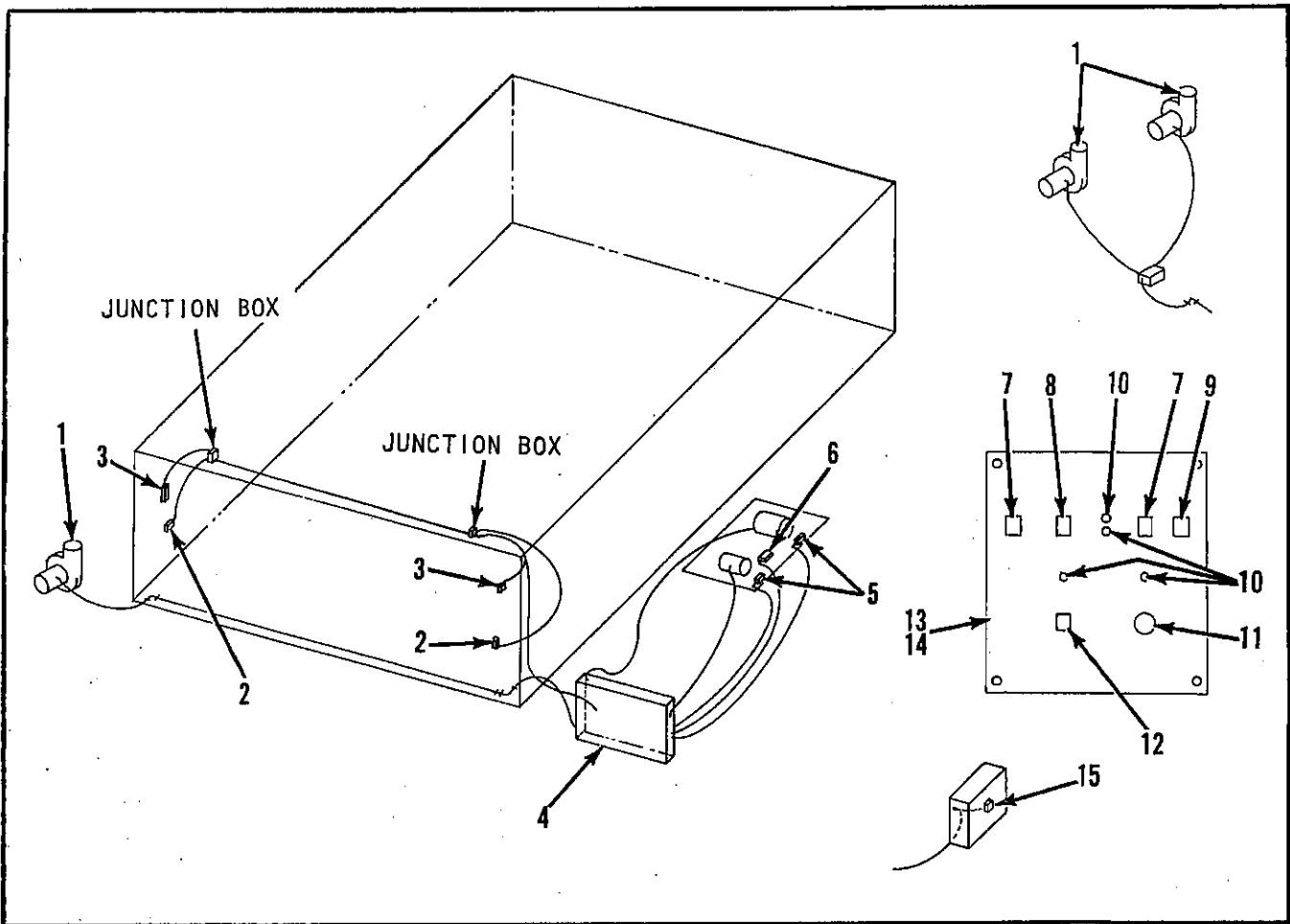


Figure 6-25. Machine Electrical Parts

PRODUCT CODE 152

ITEM NO.	PART NO.	DESCRIPTION							MFRS. CODE	UNITS PER ASSY
		1	2	3	4	5	6	7		
--		MACHINE ELECTRICAL PARTS, control panel-switches-all services								ref
-1-1		MOTOR, pressure blower (PB-13) (Specify one of the following:)							14317	1*
-1-1	141-1808	MOTOR, pressure blower 7-1/2 hp, 15hp-20hp drive 200v-208v/3ph/60Hz (PB-13)								
-1-2	141-1809	MOTOR, pressure blower 7-1/2hp,15hp 20hp drive 220v-240v/440v-480v/3ph/60Hz (PB-13)								
-1-3	141-1810	MOTOR,pressure blower 7-1/2hp,15hp, 20hp drive 550v-600v/3ph/60Hz (PB-13)								
-1-4	141-1859	MOTOR,pressure blower 7-1/2hp,15hp drive 220v-380v/3ph/50Hz(PB-13)								
-2	C-69251	SWITCH (8LS152)							91929	2
-3	C-69489	SWITCH, limit (10316-H-10)								2
-4	160-A9	ELECTRICAL CONTROL ASSY(For breakdown see figures 29 thru 32.)								1
-5	C-69277	SWITCH (BZE6-2RN)							91929	2
-6	C-79609	SWITCH, proximity (4FRI-6)								1
-7	C-69448	SWITCH, w/ snapin bracket (TILA-61-1C-WH)								2
-8	C-79625	SWITCH, w/ snapin bracket (TIGM6M-1C-WH)							73559	1
-9	C-79611	SWITCH, w/ snapin bracket (TILC6M-10-WH)							73559	1
-10	C-42350	LIGHT, white 115v (1060)							91802	4
-11	C-19847	PUSHBUTTON (BJZ2J)							23826	1
-12	C-68882	SWITCH, 3 pos (TIGG5B-1C-WH)							73559	1
-13	1028836	NAMEPLATE, 160 caution								1
-14	1028927	NAMEPLATE, control panel product code 135								
-15	1023803	TIMER, cycle oiler 115v/60Hz(620-7800)(For breakdown see figure 23.)							04221	1

*Quantity of item number one will be 2 on 8 roll machines.

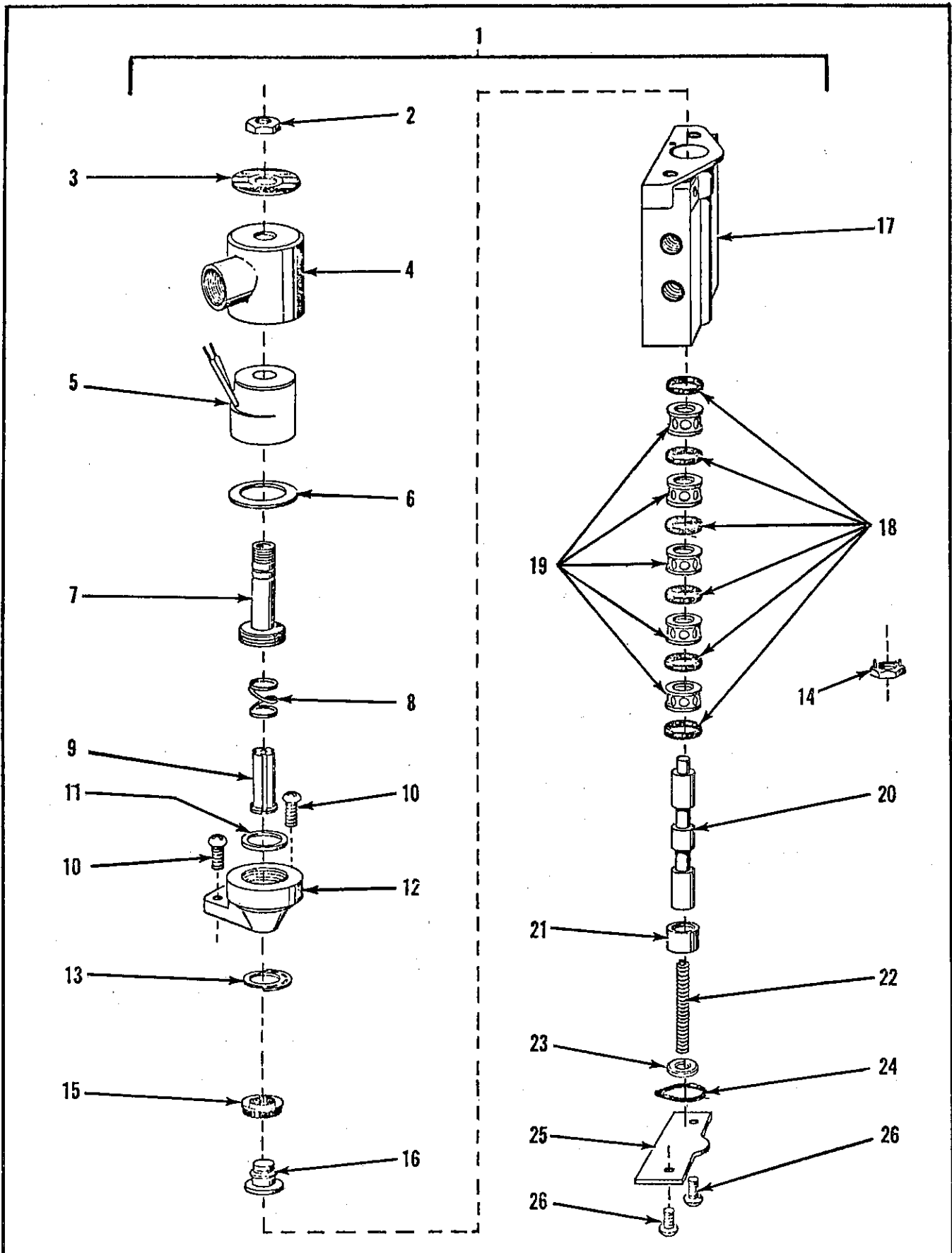


Figure 6-26. Roll Raise Solenoid Valve

ITEM NO.	PART NO.	DESCRIPTION							MFRS. CODE	UNITS PER ASSY
		1	2	3	4	5	6	7		
-1									81978	1
-1-1	1039007								81978	
-1-2	C-77983								81978	
-2									81978	1
-3									81978	1
-4									81978	1
-5									81978	1
-5-1									81978	
-5-2									81978	
-5-3									81978	
-5-4									81978	
-5-5									81978	
-6	C-80642								81978	1
-7	C-65585								81978	1
-8	C-68266								81978	1
-9	C-56361								81978	1
-10									81978	2
-11	C-65377								81978	1
-12									81978	1
-13									81978	1
-14	626-123								81978	1
-15	C-59875								81978	1
-16	C-55140								81978	1
-17									81978	1
-18	C-59876								81978	6
-19									81978	5
-20	C-65586								81978	1
-21	C-18863								81978	1
-22	C-68368								81978	1
-23	C-23290								81978	1
-24	C-59877								81978	1
-25									81978	1
-26									81978	2

*NOTE

THE NUT WRENCH IS A SPECIAL TOOL AND CAN BE OBTAINED FOR A SLIGHT CHARGE FROM THE LOCAL ALM SERVICE REPRESENTATIVE OR SKINNER PRECISION INDUSTRIES REPRESENTATIVE.

WHEN ORDERING REPAIR PARTS, SPECIFY VALVE NUMBER AND VOLTAGE. OBTAIN THIS DATA FROM THE NAMEPLATE.

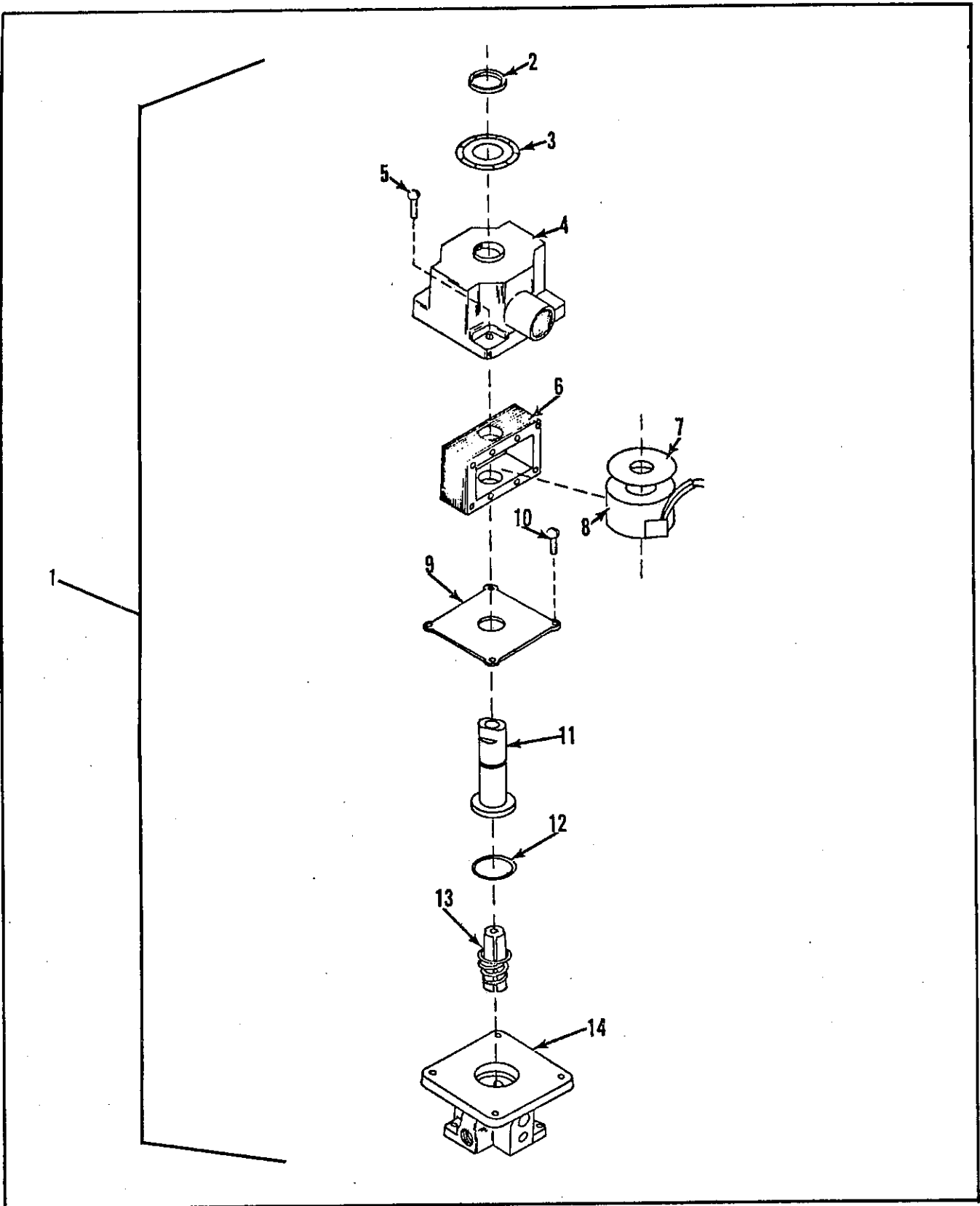


Figure 6-27. Clutch and Oiler Solenoid Valve

ITEM NO.	PART NO.	DESCRIPTION							MFRS. CODE	UNITS PER ASSY
		1	2	3	4	5	6	7		
-1								VALVE,clutch and oiler solenoid (A3DB2127) (Specify one of the following:)	81978	1
-1-1	C-77846							VALVE,clutch and oiler solenoid 60Hz (A3DB2127)	81978	
-1-2	C-77844							VALVE,clutch and oiler solenoid 50Hz (A3DB2127)	81978	
-2								RETAINER, nameplate (*99-009)	81978	1
-3								NAMEPLATE (A23-001)	81978	1
-4								HOUSING, 1/2 in. NPT conduit outlet (A07-002K)	81978	1
-5								(ATTACHING PARTS) SCREW (A99-004)	81978	2
-6	C-78178							-----*----- YOKE ASSEMBLY (A20-003U)	81978	1
-7	C-80628							WASHER, coil (A99-006)	81978	1
-8								COIL,solenoid (Specify one of the following:)	81978	1
-8-1								COIL, solenoid 120v/60Hz (A-628)	81978	
-8-2								COIL, solenoid 240v/60Hz (A-631)	81978	
-8-3								COIL, solenoid 480v/60Hz (A-634)	81978	
-8-4								COIL, solenoid 115v/50Hz (A-6291)	81978	
-8-5								COIL, solenoid 240v/50Hz (A-6321)	81978	
-9								PLATE, housing (A18-001M)	81978	1
-10								(ATTACHING PARTS) SCREW, (A99-003)	81978	2
-11	C-65564							-----*----- SLEEVE ASSEMBLY, 5/32 in. orifice (A05-009)	81978	1
-12								FLANGE, o-ring (V1-2215)	81978	1
-13	C-56363							PLUNGER AND SPRING ASSEMBLY Types A3, A36, 5/32in. orifice (A03-023)	81978	1
-14								BODY	81978	np
-15	626-123							*WRENCH, nut (VO-233)	81978	1
								(not shown)		

*NOTE

THE NUT WRENCH IS A SPECIAL TOOL AND CAN BE OBTAINED FOR A SLIGHT CHARGE FROM THE LOCAL ALM SERVICE REPRESENTATIVE OR SKINNER PRECISION INDUSTRIES REPRESENTATIVE.

WHEN ORDERING REPAIR PARTS, SPECIFY VALVE NUMBER AND VOLTAGE. OBTAIN THIS DATA FROM THE NAMEPLATE.

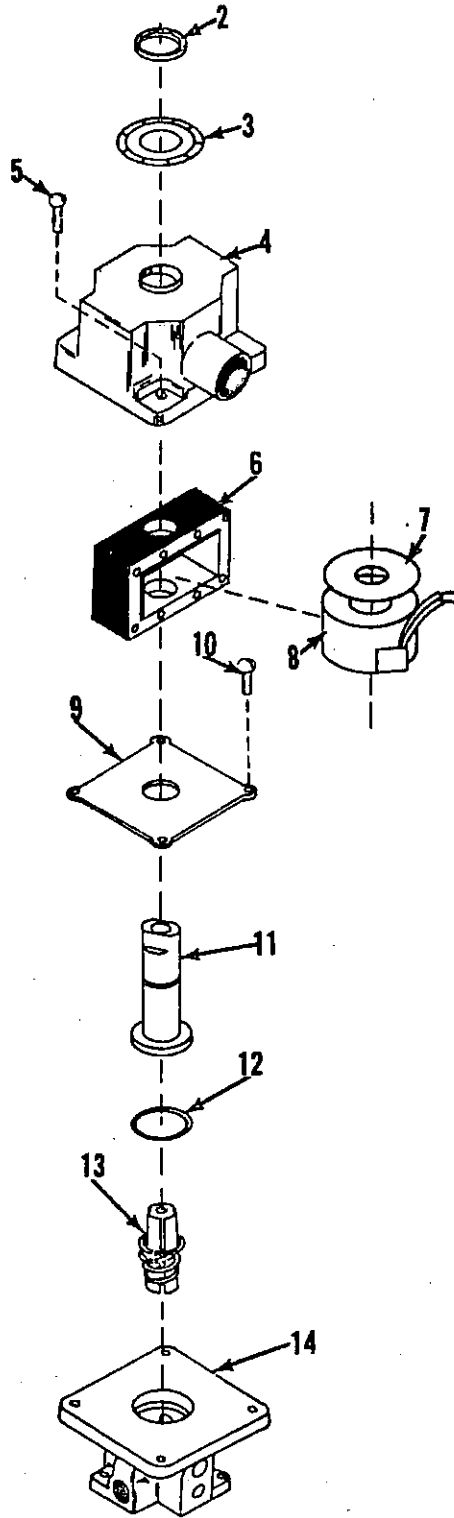


Figure 6-28. Reed Switch Solenoid Valve

ITEM NO.	PART NO.	DESCRIPTION							MFRS. CODE	UNITS PER ASSY
		1	2	3	4	5	6	7		
-1								VALVE, solenoid reed switch (Specify one of the following:)	81978	1
-1-1	C-78016							VALVE, solenoid reed switch 60Hz (A5DB2127)	81978	
-1-2	1019413							VALVE, solenoid reed switch 50Hz (A5DB2127)	81978	
-2								RETAINER, nameplate (A99-009)	81978	
-3								NAMEPLATE (A23-001)	81978	1
-4								HOUSING, 1/2 in. NPT conduit outlet (A07-002K) (ATTACHING PARTS)	81978	1
-5								SCREW (A99-004) - - - * - - -	81978	2
-6	C-78178							YOKE ASSEMBLY (A20-003B)	81978	1
-7	C-80628							WASHER, coil (A99-006)	81978	1
-8								COIL, solenoid (Specify one of the following:)	81978	1
-8-1								COIL, solenoid 120v/60Hz (A-628)	81978	
-8-2								COIL, solenoid 240v/60Hz (A-631)	81978	
-8-3								COIL, solenoid 480v/60Hz (A-634)	81978	
-8-4								COIL, solenoid 115v/50Hz (A-6291)	81978	
-8-5								COIL, solenoid 240v/50Hz (A-6321)	81978	
-9								PLATE, housing (A18-001M) (ATTACHING PARTS)	81978	1
-10								SCREW (A99-003) - - - * - - -	81978	2
-11	C-65564							SLEEVE ASSEMBLY 5/32 in. orifice (A05-009)	81978	1
-12								FLANGE, o-ring (V1-2215)	81978	1
-13	C-56363							PLUNGER AND SPRING ASSEMBLY (A03-027)	81978	1
-14								BODY (seldom required as replacement part)	81978	1
-15	626-123							*WRENCH, nut (V0-233) (not shown) *NOTE	81978	1
<p>THE NUT WRENCH IS A SPECIAL TOOL AND CAN BE OBTAINED FOR A SLIGHT CHARGE FROM THE LOCAL ALM SERVICE REPRESENTATIVE OR SKINNER PRECISION INDUSTRIES REPRESENTATIVE.</p> <p>WHEN ORDERING REPAIR PARTS, SPECIFY VALVE NUMBER AND VOLTAGE. OBTAIN THIS DATA FROM THE NAMEPLATE.</p>										

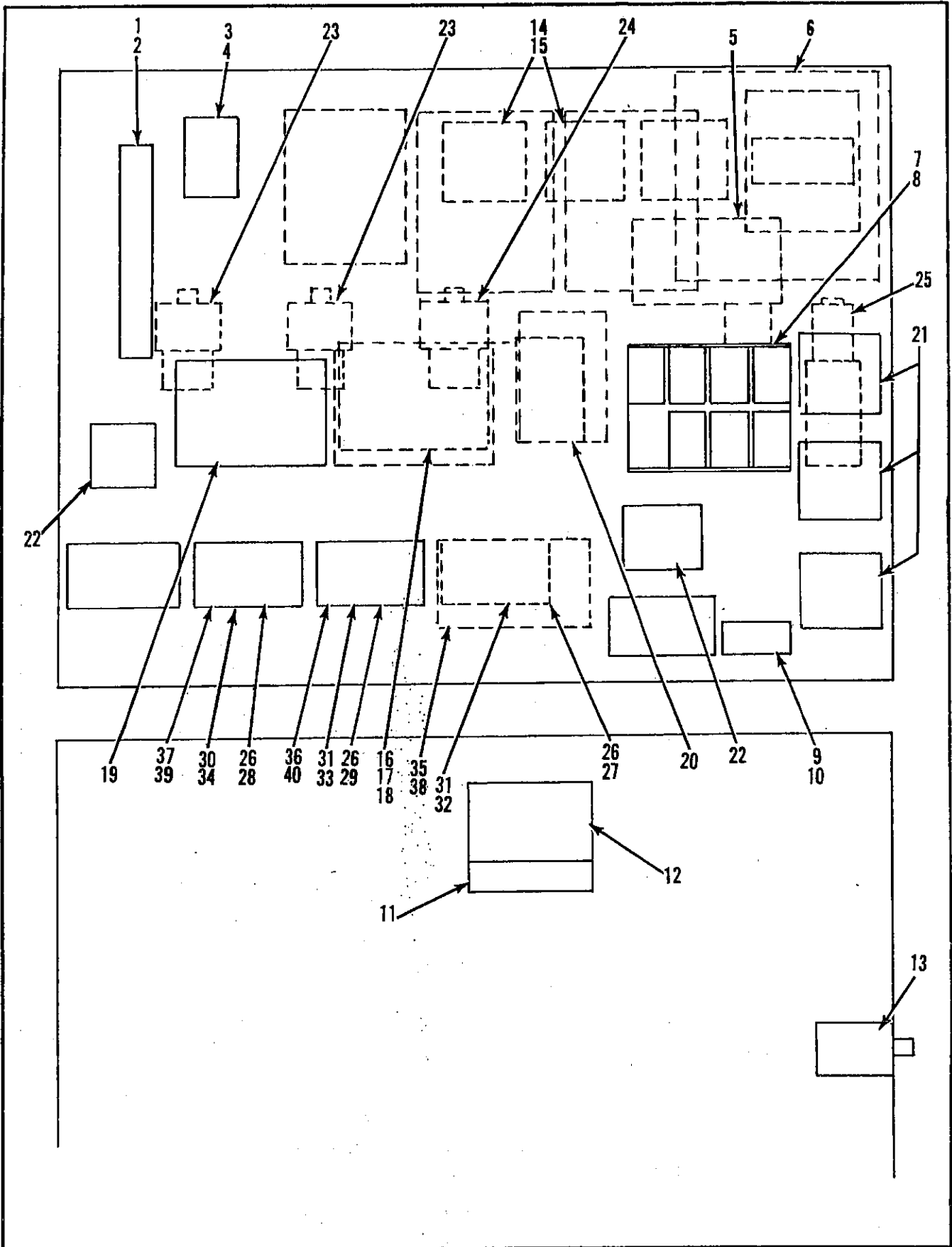


Figure 6-29. Electrical Control (120V-208V/3Ph/60Hz 7-1/2 Hp, 15 Hp, 20 Hp)

ITEM NO.	PART NO.	DESCRIPTION							MFRS. CODE	UNITS PER ASSY
		1	2	3	4	5	6	7		
--	160-R502	ELECTRICAL CONTROL 120v-208v/3ph/60Hz 7-1/2hp, 15hp, 20hp								ref
-1	C-70901	TERMINAL BOARD (22000)							76117	23
-2	C-70902	END PIECE (24000)							76117	1
-3	C-17244	FUSEBLOCK, 30 amp 2 pole 250v (F30A2)							76117	1
-4	C-31673	FUSETRON, 3.2 amp							71400	2
-5	C-22574	SWITCH, air pressure (P70AA-5)							92578	1
-6	1028836	NAMEPLATE, 160 caution								1
-7	160-186	BRACKET, relay								1
-8	C-58491	RELAY, 120v CRO, 1,2,4,30,31,37 (AB11AY)							77342	7
-9	C-17251	TERMINAL BLOCK (222)							89020	3
-10	C-17249	TERMINAL BLOCK END (230)							89020	1
-11	10-100	NAMEPLATE, ALM								1
-12	10-101	NAMEPLATE, electrical								1
-13	C-42717	CATCH (4859)							19220	1
-14	C-17245	FUSEBLOCK, 30 amp 3 pole 250v							76117	2
-15	C-31612	FUSETRON, 15 amp 250v							71400	3
-16		CONTACTOR, reversing (Specify one of the following:)								1
-16-1	C-57896	CONTACTOR, reversing 7-1/2hp, 15hp 115v/50-60Hz (44CD3AAF)							23826	
-16-2	1019405	CONTACTOR, reversing 20hp 40amp 120v/50-60Hz (2200R-EBR430AA)							52090	
-17	C-25007	CONTACT, nc							23826	1
-18	C-25008	CONTACT, no							23826	1
-19	1004365	CONTACTOR, reversing 30amp 115v (44BE30AF)							23826	1
-20		CONTACTOR, 120v/50-60Hz (Specify one of the following:)							23826	1
-20-1	C-57899	CONTACTOR, 120v/50-60Hz 7-1/2hp (42CF35AF)							23826	1
-20-2	1019397	CONTACTOR, 120v/50-60Hz 15hp-20hp (42EE35AF)							23826	
-21	C-58400	TIMER, 14.25 sec 115v/60Hz (DA11-001)							27780	3
-22	T126-8	CONTACTOR, 115v/50-60Hz (41NB30AF)							23826	2
-23	C-77846	VALVE, 120v/60Hz clutch and oiler solenoid (A3DB2127) (For breakdown see figure 27.)							81978	2
-24	C-78016	VALVE, 120v/60Hz reed switch solenoid (A5DB2127) (For breakdown see figure 28.)							81978	1
-25	1039007	VALVE, roll raise solenoid (H935DB2150) (For breakdown see figure 26.)							81978	1
NOTE										
OVERLOAD RELAYS AND HEATER COILS WILL CHANGE IN RELATION TO HORSEPOWER REQUIREMENTS OF UNIT.										

ITEM NO.	PART NO.	DESCRIPTION							MFRS. CODE	UNITS PER ASSY
		1	2	3	4	5	6	7		
		NOTE								
		OVERLOAD RELAYS AND HEATER COILS WILL CHANGE IN RELATION TO HORSEPOWER REQUIREMENTS OF UNIT.								
		NOTE								
		ITEMS 26 THROUGH 29 ARE REQUIRED FOR 7-1/2 HP UNITS.								
-26	C-57656							RELAY, size 1 overload (815B0V16)	01121	1
-27	C-21082							COIL, heater hi-drive (N-31)	01121	3
-28	C-21369							COIL, heater speed changer (N-2)	01121	3
-29	C-21079							COIL, heater lo-drive (N-28)	01121	3
		NOTE								
		ITEMS 30 THROUGH 33 ARE REQUIRED FOR 15 HP UNITS.								
-30	C-57656							RELAY, size 1 overload (815B0V16)	01121	1
-31	C-21087							COIL, heater hi-drive (N-38)	01121	3
-32	C-21369							COIL, heater speed changer (N-2)	01121	3
-33	C-22035							COIL, heater lo-drive (N-36)	01121	3
		NOTE								
		ITEMS 34 THROUGH 37 ARE REQUIRED FOR 20 HP UNITS.								
-34	C-57656							RELAY, size 1 overload (815B0V16)	01121	1
-35	C-21089							COIL, heater hi-drive (N-41)	01121	3
-36	C-21369							COIL, heater speed changer (N-2)	01121	3
-37	C-21086							COIL, heater lo-drive (N-37)	01121	3
-38	C-73123							TRANSFORMER, type SXO 300VA 230-460v pri 120v sec. 50-60Hz	28455	1

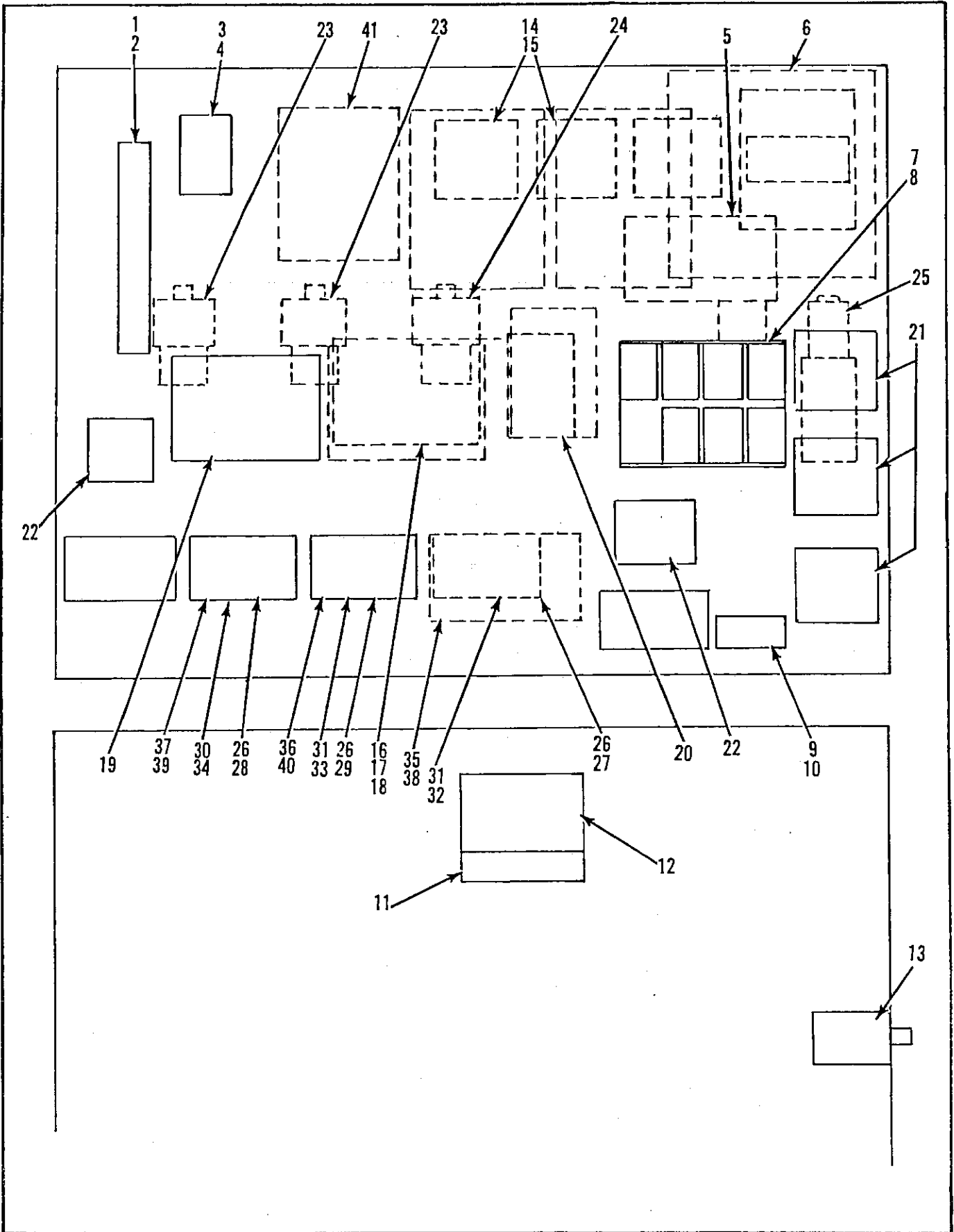


Figure 6-30. Electrical Control (220V-240V/3Ph/60Hz 7-1/2 Hp, 15 Hp, 20 Hp)

ITEM NO.	PART NO.	DESCRIPTION							MFRS. CODE	UNITS PER ASSY
		1	2	3	4	5	6	7		
	160-R502	ELECTRICAL CONTROL, 220v-240v/3ph/60Hz 7-1/2hp, 15hp, 20hp								ref
-1	C-70901	TERMINAL BOARD (22000)							76117	23
-2	C-70902	END PIECE (24000)							76117	1
-3	C-17244	FUSEBLOCK, 30amp 2 pole 250v (F30A2)							76117	1
-4	C-31673	FUSETRON, 3.2 amp							71400	2
-5	C-22574	SWITCH, air pressure (P70AA-5)							92578	1
-6	1028836	NAMEPLATE, 160 caution								1
-7	160-186	BRACKET, relay								1
-8	C-58491	RELAY, 120v CRO,1,2,4,30,31,37 (AB11AY)							77342	7
-9	C-17251	TERMINAL BLOCK (222)							89020	3
-10	C-17249	TERMINAL BLOCK END (230)							89020	1
-11	10-100	NAMEPLATE, ALM								1
-12	10-101	NAMEPLATE, electrical								1
-13	C-42717	CATCH (4859)							19220	1
-14	C-17245	FUSEBLOCK, 30amp 3 pole 250v							76117	1
-15	C-31612	FUSETRON, 15 amp 250v							71400	3
-16		CONTACTOR, reversing (Specify one of the following:)								1
-16-1	C-57896	CONTACTOR, reversing 7-1/2hp, 15hp, 115v/50-60Hz (44CD3AAF)							23826	
-16-2	1019405	CONTACTOR, reversing 20hp 40amp 120v/50-60Hz (2200R-EBR430AA)							52090	
-17		CONTACT, nc (Specify one of the the following:)								1
-17-1	C-25007	CONTACT, nc 7-1/2hp, 15hp							23826	
-17-2	C-25010	CONTACT, nc 20hp (2200-EB2)							52090	
-18		CONTACT, no (Specify one of the following:)								
-18-1	C-25008	CONTACT, no 7-1/2hp, 15hp							23826	
-18-2	C-25011	CONTACT, no 20hp (2200-EB1)							52090	
-19	1004365	CONTACTOR, reversing 30amp 115v (44BE30AF)							23826	1
-20		CONTACTOR, 120v/50-60Hz (Specify one of the following:)							23826	1
-20-1	C-57899	CONTACTOR, 120v/50-60Hz 7-1/2hp (42CF35AF)							23826	1
-20-2	1019397	CONTACTOR, 120v/50-60Hz 15hp, 20hp (42EE35AF)							23826	
-21	C-58400	TIMER, 14.25 sec 115v/60Hz (DA11-001)							27780	3
-22	T126-8	CONTACTOR, 115v/50-60Hz (41NB30AF)							23826	2
-23	C-77846	VALVE, 120v/60Hz clutch and oiler solenoid (A3DB2127) (For breakdown see figure 27.)							81978	2
-24	C-78016	VALVE, 120v/60Hz reed switch solenoid (A5DB2127) (For breakdown see figure 28.)							81978	1

ITEM NO.	PART NO.	DESCRIPTION							MFRS. CODE	UNITS PER ASSY
		1	2	3	4	5	6	7		
-25	1039007	VALVE, roll raise solenoid (H935DB2150) (For breakdown see figure 26.)							81978	1
NOTE										
ITEMS 26 THROUGH 29 ARE REQUIRED FOR 7-1/2 HP UNITS.										
-26	C-57656	RELAY, size 1 overload(815BOV16)							01121	3
-27	C-21088	COIL, heater hi-drive (N-39)							01121	3
-28	C-21289	COIL, heater speed changer (N-9)							01121	3
-29	C-22035	COIL, heater lo-drive (N-36)							01121	3
NOTE										
ITEMS 30 THROUGH 34 ARE REQUIRED FOR 15 HP UNITS.										
-30	C-57656	RELAY, size 1 overload(815BOV16)							01121	1
-31	C-57657	RELAY, size 2 overload(815COV16)							01121	2
-32	C-21355	COIL, heater hi-drive (N-46)							01121	3
-33	C-21289	COIL, heater speed changer (N-9)							01121	3
-34	C-21091	COIL, heater lo-drive (N-44)							01121	3
NOTE										
ITEMS 35 THROUGH 40 ARE REQUIRED FOR 20 HP UNITS.										
-35	C-57656	RELAY, size 1 overload(815BOV16)							01121	1
-36	C-57657	RELAY, size 2 overload(815COV16)							01121	1
-37	C-57658	RELAY, size 3 overload(815DOV16)							01121	1
-38	C-26932	COIL, heater hi-drive (N-70)							01121	3
-39	C-21289	COIL, heater speed changer (N-9)							01121	3
-40	C-21092	COIL, heater lo-drive (N-45)							01121	3

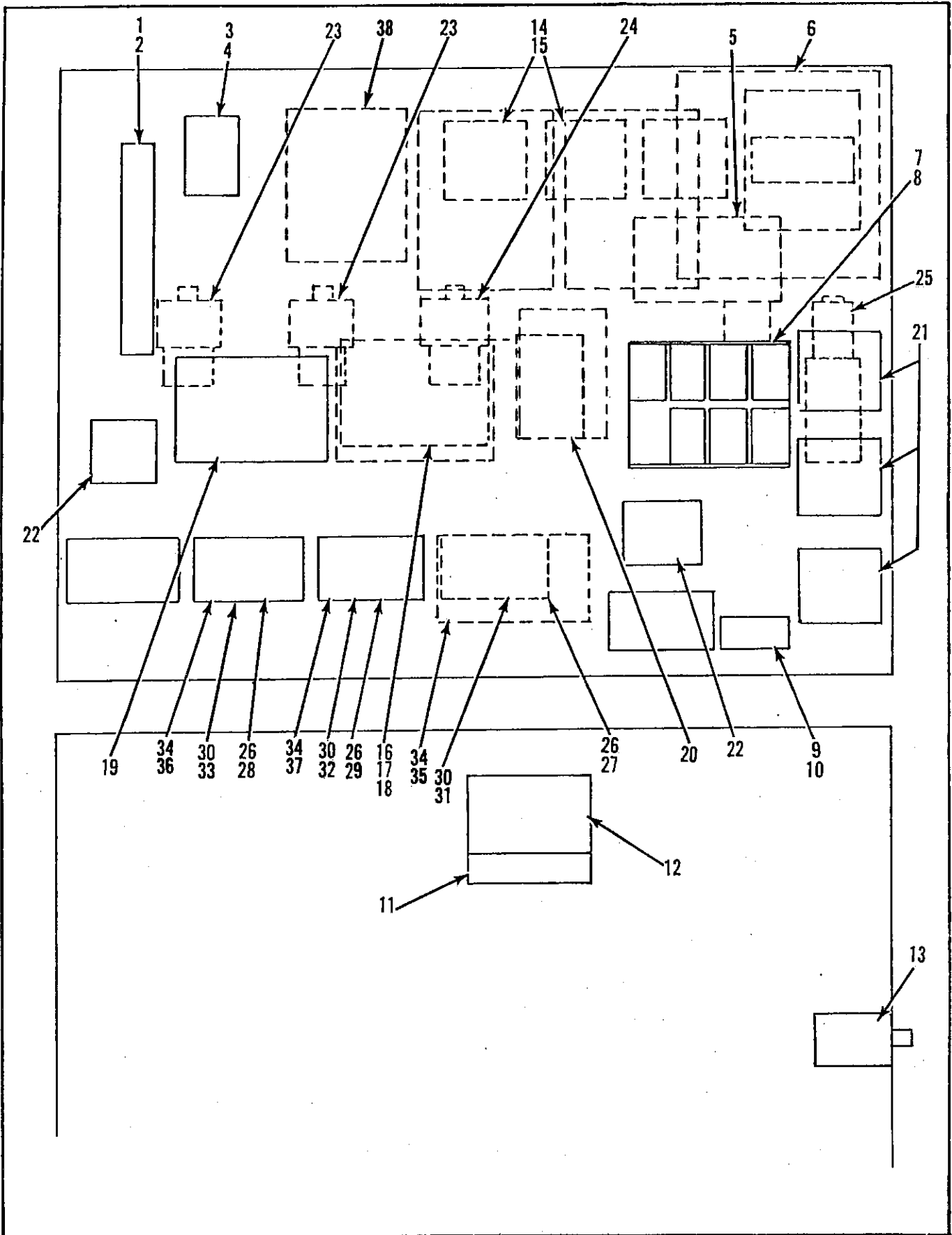


Figure 6-31. Electrical Control (440V-480V/3Ph/60Hz 7-1/2 Hp, 15 Hp, 20 Hp)

PRODUCT CODE 152

ITEM NO.	PART NO.	DESCRIPTION							MFRS. CODE	UNITS PER ASSY
		1	2	3	4	5	6	7		
--	160-R502	ELECTRICAL CONTROL, 440v-480v/3ph/60Hz 7-1/2hp, 15hp, 20hp								ref
-1	C-70901	TERMINAL BOARD (22000)							76117	23
-2	C-70902	END PIECE (24000)							76117	1
-3	C-17244	FUSEBLOCK, 30 amp 2 pole 250v (F30A2)							76117	1
-4	C-31673	FUSETRON, 3.2 amp							71400	2
-5	C-22574	SWITCH, air pressure (P70AA-5)							92578	1
-6	1028836	NAMEPLATE, 160 caution								1
-7	160-186	BRACKET, relay								1
-8	C-58491	RELAY, 120v CRO,1,2,4,30,31,37 (AB11AY)							77342	7
-9	C-17251	TERMINAL BLOCK (222)							89020	3
-10	C-17249	TERMINAL BLOCK END (230)							89020	1
-11	10-100	NAMEPLATE, ALM								1
-12	10-101	NAMEPLATE, electrical								1
-13	C-42717	CATCH (4859)							19220	1
-14	C-17341	FUSEBLOCK, 30amp 3 pole 600v (6F30A3)							76117	2
-15	C-31612	FUSETRON, 10 amp 250v (FRS10)							71400	3
-16		CONTACTOR, reversing (Specify one of the following:)								1
-16-1	C-57896	CONTACTOR, reversing 7-1/2hp, 15hp, 115v/50-60Hz (44CD3AAF)							23826	
-16-2	1019405	CONTACTOR, reversing 20hp 40amp 120v/50-60Hz (2200R-EBR430AA) 115v/50-60Hz (44CD3AAF)							52090	
-17		CONTACT, nc (Specify one of the following:)								1
-17-1	C-25007	CONTACT, nc 7-1/2hp, 15hp							23826	
-17-2	C-25010	CONTACT, nc 20hp							52090	
-18		CONTACT, no (Specify one of the following:)								1
-18-1	C-25008	CONTACT, no 7-1/2hp, 15hp							23826	
-18-2	C-25011	CONTACT, no 20hp							52090	
-19	1004365	CONTACTOR, reversing 30amp 115v (44BE30AF)							23826	1
-20	C-57899	CONTACTOR, 120v/50-60Hz 7-1/2hp (42CF35AF)							23826	1
-21	C-58400	TIMER, 14.25 sec 115v/60Hz (DA11-001)							27780	3
-22	T126-8	CONTACTOR, 115v/50-60Hz (41NB30AF)							23826	2
-23	C-77846	VALVE, 120v/60Hz clutch and oiler solenoid (A3DB2127) (For breakdown see figure 27.)							81978	2
-24	C-78016	VALVE, 120v/60Hz reed switch solenoid (A5DB2127) (For breakdown see figure 28.)							81978	1

ITEM NO.	PART NO.	DESCRIPTION							MFRS. CODE	UNITS PER ASSY
		1	2	3	4	5	6	7		
-25	1039007	VALVE, roll raise solenoid (H935DB2150) (For breakdown see figure 26.)							81978	1
		NOTE								
		OVERLOAD RELAYS AND HEATER COILS WILL CHANGE IN RELATION TO HORSEPOWER REQUIREMENTS OF UNIT.								
		NOTE								
		ITEMS 26 THROUGH 29 ARE REQUIRED FOR 7-1/2 HP UNIT.								
-26	C-57656	RELAY, size 1 overload (815B0V16)							01121	1
-27	C-21087	COIL, heater hi-drive (N-38)							01121	3
-28	C-21268	COIL, heater speed changer (N-7)							01121	3
-29	C-22085	COIL, heater lo-drive (N-35)							01121	3
		NOTE								
		ITEMS 30 THROUGH 34 ARE REQUIRED FOR 15 HP UNITS.								
-30	C-57656	RELAY, size 1 overload (815B0V16)							01121	1
-31	C-57657	RELAY, size 2 overload (815C0V16)							01121	2
-32	C-21091	COIL, heater hi-drive (N-44)							01121	3
-33	C-21068	COIL, heater speed changer (N-7)							01121	3
-34	C-21090	COIL, heater lo-drive (N-43)							01121	3
		NOTE								
		ITEMS 35 THROUGH 40 ARE REQUIRED FOR 20 HP UNITS.								
-35	C-57656	RELAY, size 1 overload (815B0V16)							01121	1
-36	C-576 7	RELAY, size 2 overload (815C0V16)							01121	1
-37	C-57658	RELAY, size 3 overload (815D0V16)							01121	3
-38	C-21355	COIL, heater hi-drive (N-46)							01121	3
-39	C-21068	COIL, heater speed changer (N-7)							01121	3
-40	C-21091	COIL, heater lo-drive (N-44)							01121	3
-41	C-73123	TRANSFORMER, type SX0 300VA 230v-460v/ pri 120v sec 50-60Hz							28455	1

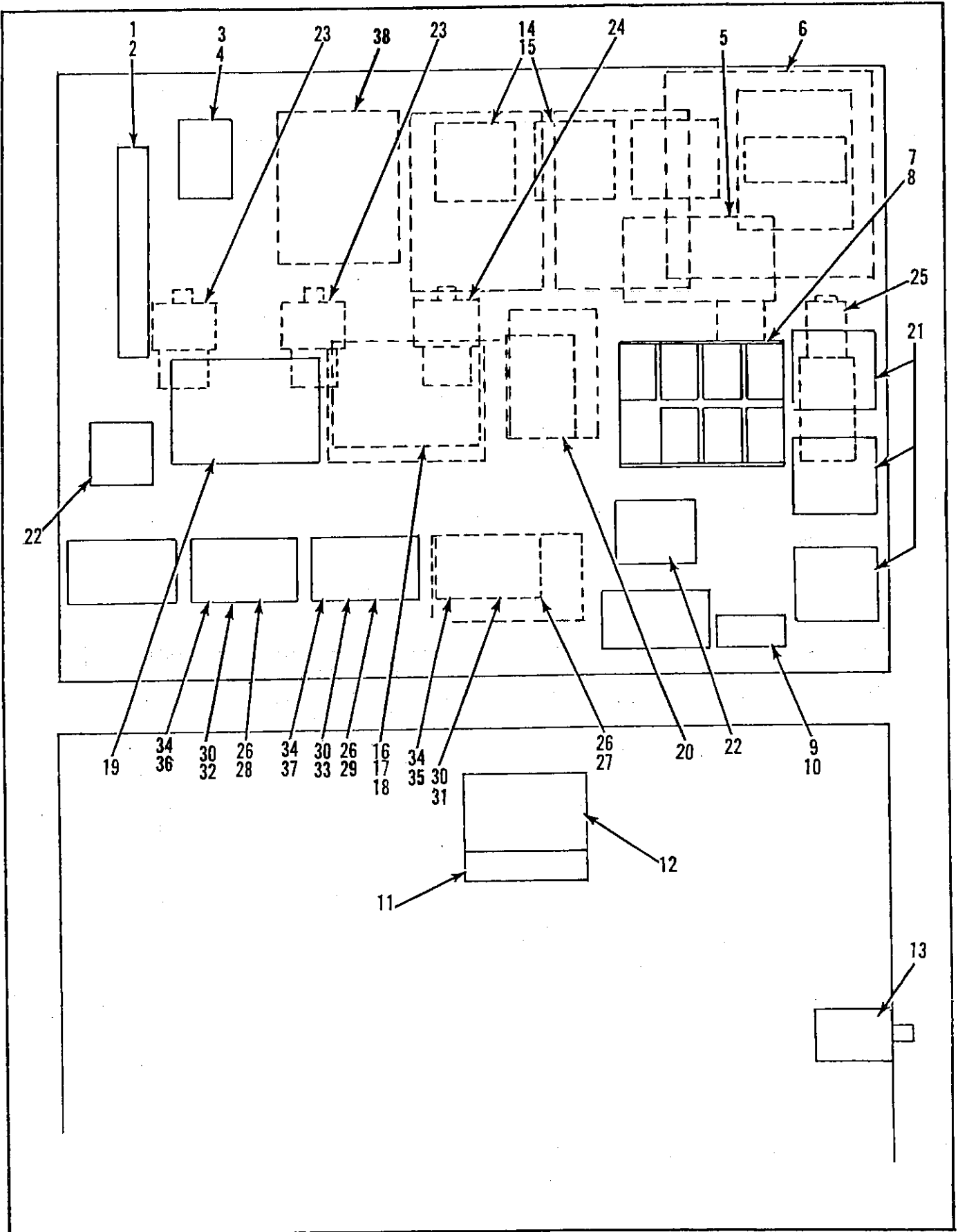


Figure 6-32. Electrical Control (550V-600V/3Ph/60Hz 7-1/2 Hp, 15 Hp, 20 Hp)

PRODUCT CODE 152

ITEM NO.	PART NO.	DESCRIPTION							MFRS. CODE	UNITS PER ASSY
		1	2	3	4	5	6	7		
--	160-R502	ELECTRICAL CONTROL, 550v-600v/3ph/60Hz 7-1/2hp, 15hp, 20hp								ref
-1	C-70901	TERMINAL BOARD (22000)							76117	23
-2	C-70902	END PIECE (24000)							76117	1
-3	C-17244	FUSEBLOCK, 30amp, 2 pole 250v (F30A2)							76117	1
-4	C-31673	FUSETRON, 3.2 amp							71400	2
-5	C-22574	SWITCH, air pressure (P70AA-5)							92578	1
-6	1028836	NAMEPLATE, 160 caution								1
-7		BRACKET, relay								1
-8	C-58491	RELAY, 120v CRO,1,2,4,30,31,37 (AB11AY)							77342	7
-9	C-17251	TERMINAL BLOCK (222)							89020	3
-10	C-17249	TERMINAL BLOCK END (230)							89020	1
-11	10-100	NAMEPLATE, ALM.								1
-12	10-101	NAMEPLATE, electrical								1
-13	C-42717	CATCH (4859)							19220	1
-14	C-17341	FUSEBLOCK, 30 amp 3 pole 600v (6F30A3)							76117	2
-15	C-31612	FUSETRON, 10 amp 600v (FRS10)							71400	3
-16		CONTACTOR, reversing (Specify one of the following:)								1
-16-1	C-57896	CONTACTOR, reversing 7-1/2hp, 15hp, 115v/50-60Hz (44CD3AAF)							23826	
-16-2	1019405	CONTACTOR, reversing 20hp 40amp 120v/50-60Hz (2200R-EBR430AA) 115v/50-60Hz (44CD3AAF)							52090	
-17		CONTACT, nc (Specify one of the following:)								1
-17-1	C-25007	CONTACT, nc 7-1/2hp, 15hp							23826	
-17-2	C-25010	CONTACT, nc 20hp							52090	
-18	C-25008	CONTACT, no (Specify one of the following:)								1
-18-1	C-25008	CONTACT, no 7-1/2hp, 15hp							23826	
-18-2	C-25011	CONTACT, no 20 hp							52090	
-19	1004365	CONTACTOR, reversing 30amp 115v (44BE30AF)							23826	1
-20	C-57899	CONTACTOR, 120v/50-60Hz 7-1/2hp (42CF35AF)							23826	1
-21	C-58400	TIMER, 14.25 sec 115v/60Hz (DA11-001)							27780	3
-22	T126-8	CONTACTOR, 115v/50-60Hz(41NB30AF)							23826	2
-23	C-77846	VALVE,120v/60Hz clutch and oiler solenoid (A3DB2127)(For breakdown see figure 27.)							81978	2
									81978	2
-24	C-78016	VALVE,120v/60Hz reed switch solenoid (A5DB2127)(For breakdown see figure 28.)							81978	1

PRODUCT CODE 152

ITEM NO.	PART NO.	DESCRIPTION							MFRS. CODE	UNITS PER ASSY
		1	2	3	4	5	6	7		
-25	1039007	VALVE, roll raise solenoid (H935DB2150) (For breakdown see figure 26.)							81978	1
NOTE										
OVERLOAD RELAYS AND HEATER COILS WILL CHANGE IN RELATION TO HORSEPOWER REQUIREMENTS OF UNIT.										
NOTE										
ITEMS 26 THROUGH 29 ARE REQUIRED FOR 7-1/2 HP UNITS.										
-26	C-57656	RELAY, size 1 overload (815B0V16)							01121	1
-27	C-21079	COIL, heater hi-drive (N-28)							01121	3
-28	C01	COIL, heater speed changer (N-1)							01121	3
-29	C-22030	COIL, heater lo-drive (N-25)							01121	3
NOTE										
ITEMS 30 THROUGH 33 ARE REQUIRED FOR 15 HP UNITS.										
-30	C-57656	RELAY, size 1 overload (815B0V16)							01121	1
-31	C-21085	COIL, heater hi-drive (N-35)							01121	3
-32	C-21435	COIL, heater speed changer (N-1)							01121	3
-33	C-21084	COIL, heater lo-drive (N-34)							01121	3
NOTE										
ITEMS 34 THROUGH 40 ARE REQUIRED FOR 20 HP UNITS.										
-34	C-57656	RELAY, size 1 overload (815B0V16)							01121	1
-35	C-21087	COIL, heater hi-drive (N-38)							01121	3
-36	C-21435	COIL, heater speed changer (N-1)							01121	3
-37	C-21085	COIL, heater lo-drive (N-35)							01121	3
-38	C-73141	TRANSFORMER, type SX0 300va 575v pri 120v sec 60Hz								1

PRODUCT CODE 152

Table 6-2. Spare Parts 60Hz (7-1/2 Hp, 15 Hp, 20 Hp)

ITEM NO.	PART NO.	DESCRIPTION							MFRS. CODE	UNITS PER ASSY
		1	2	3	4	5	6	7		
-1	160-R84 C-22574	SPARE PARTS 60Hz 7-1/2hp-15hp-20hp SWITCH,air pressure range 20-100 psi (P70AA-5)							92578	1
-2	C-58400	TIMER,14,25 sec 115v/60Hz (DA11-001)							27780	1
-3	C-68859	SWITCH,3 pos progressive (TIGG51-1C-WH)							73559	1
-4	C-69277	SWITCH (BZE6-2RN)							91929	1
-5	C-77846	VALVE,1/4in.npt nc 3 way 120v/60Hz clutch and oiler solenoid (A3DB2127)							81978	1
-6	C-77942	VALVE,115v/50Hz 4 way roll solenoid (H935DB2150)							81978	1
-7	C-79625	SWITCH,w/ snap in bracket (TIGM6M-1C-WH)							73559	1
-8	M-90969	TAPE, 3/4in. dacron heat set 100 foot roll cloth and pad								3
-9	128-900	RIBBON								48
-10	1005925	BELT, vari speed (3226V843)							96432	1
-11	C-78016	VALVE, 3 way n.o. 1/4in. npt 120v/60Hz reed switch solenoid (A5DB2127)							81978	1
-12	10144114	O-RING AND U-CUP REPAIR KIT,roll lift air cylinder (P62583)							61775	1